

230-240V / 50-60Hz

IP20

IK10



WARNING - THIS LUMINAIRE MUST BE EARTHED

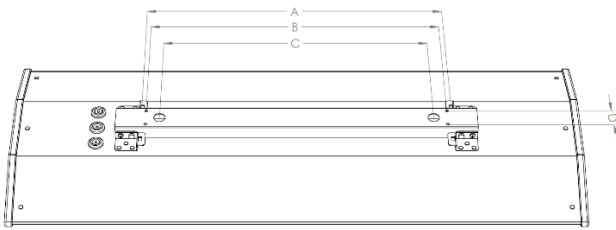
This luminaire has been tested and is manufactured to comply with BS EN 60598 : specification for general requirements and tests. It should be installed by a suitably qualified person in accordance with IEE.

CAUTION: there is a potential risk of electric shock from the LED boards when the product is operational with the cover removed.

NOTE: INSTALLATION AND OPERATION OF THE LUMINAIRE BEYOND ITS SCOPE OF SUPPLY WILL INVALIDATE THE WARRANTY.

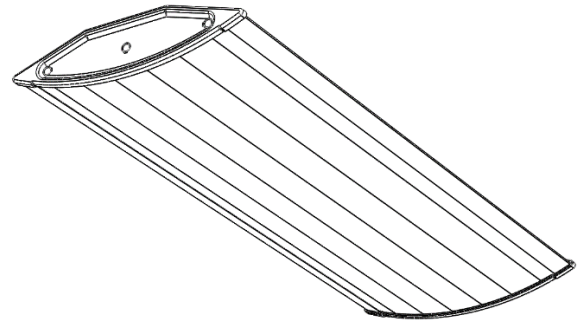
DIL-86-0001

1.



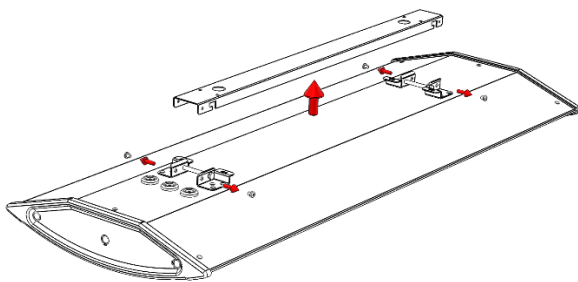
A	B	C	D
568	550	500	35
Suspension	Surface Fix	Trunking Fix	Surface Fix

2.



Weight
11kg
(+1kg for Emergency version)

3.

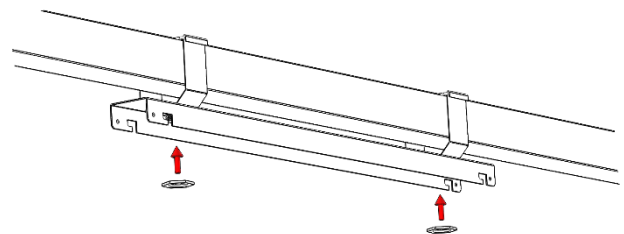


Remove 4x M5 PanPozi screws to release the mounting spine form rear of fitting. Do not remove M6 bolts.

Note. This does not need to be done if fitting is suspended – skip to **section 4B** and installation complete.

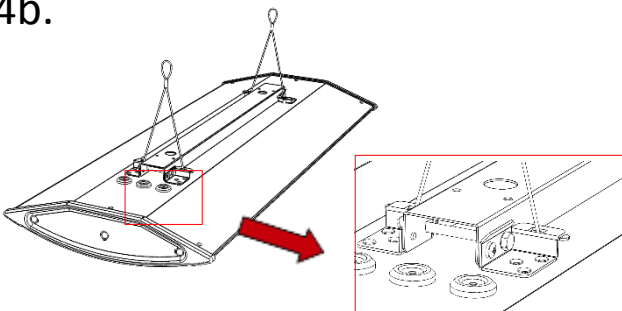
4a.

Secure mounting spine into position using one of these suggested fixing methods (A, B, C).



Trunking mounted via 2x M20 brass bush and securing nut.

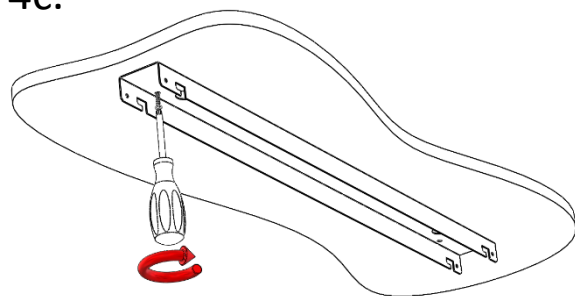
4b.



Suspension Toggles (Not supplied).

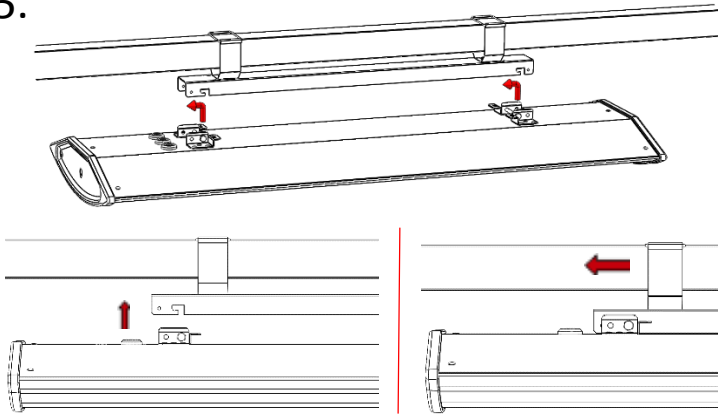
Suspension kits should not be used where luminaires may be subject to ball impacts, rigid mounting is recommended in these applications

4c.



Surface mounted via 4x appropriate screw fixings into solid ceiling.

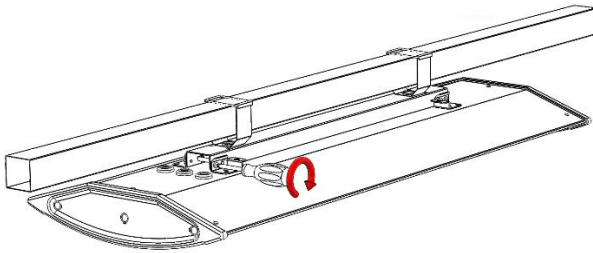
5.



Re-engage light fitting to mounting spine. Lift vertically into slots and the slide horizontally to hook suspend fitting.

Be very careful not to knock fitting from hooked position prior to Step 8.

6.

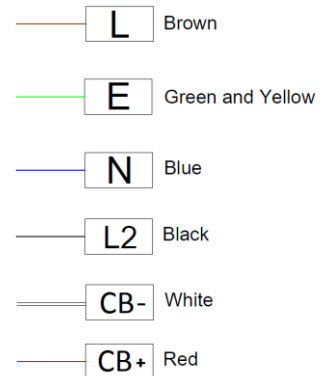


Re-fasten 4x M5 PanPozi screws removed in Step1. All fittings come pre-wired, electrical connection can be made post install.

7.

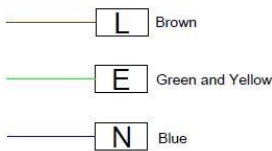
Please note the following diagrams when wiring a luminaire with a pre wired flex.

Central Battery

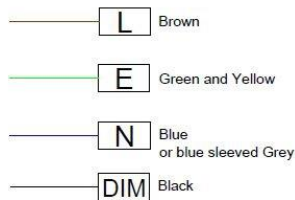


8.

STANDARD

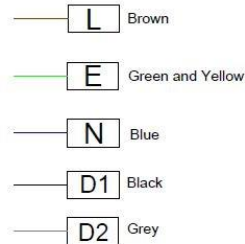


SWITCH DIM



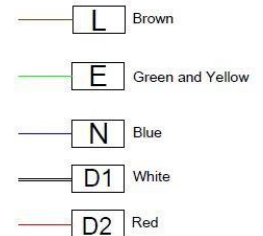
DALI/DSI

FLEX: Brown/GY/Blue/Black/Grey



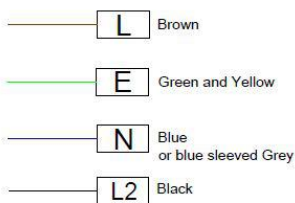
DALI/DSI

FLEX: Brown/GY/Blue/White/Red



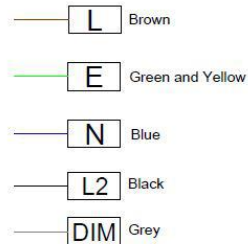
9.

EMERGENCY



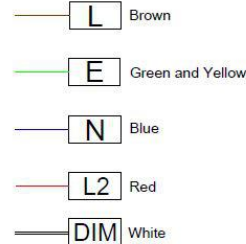
SWITCH DIM

FLEX: Brown/GY/Blue/Black/Grey



SWITCH DIM

FLEX: Brown/GY/Blue/Red/White



DALI/DSI

