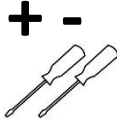


230-240V / 50-60Hz

IP20

IK00



WARNING - THIS LUMINAIRE MUST BE EARTHED

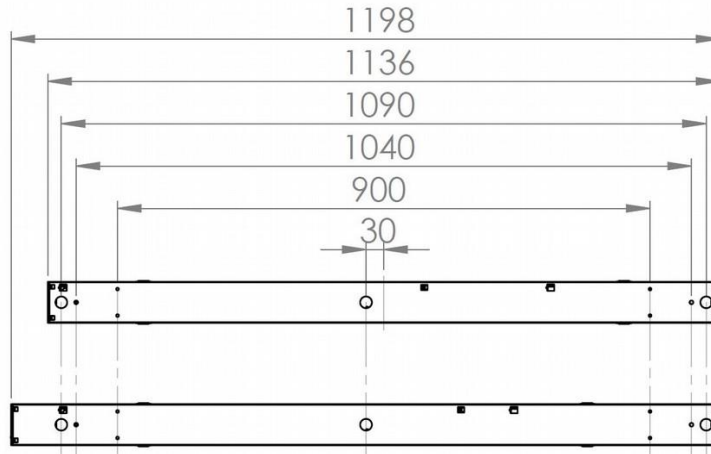
This luminaire has been tested and is manufactured to comply with BS EN 60598 : specification for general requirements and tests. It should be installed by a suitably qualified person in accordance with IEE.

CAUTION: there is a potential risk of electric shock from the LED boards when the product is operational with the cover removed.

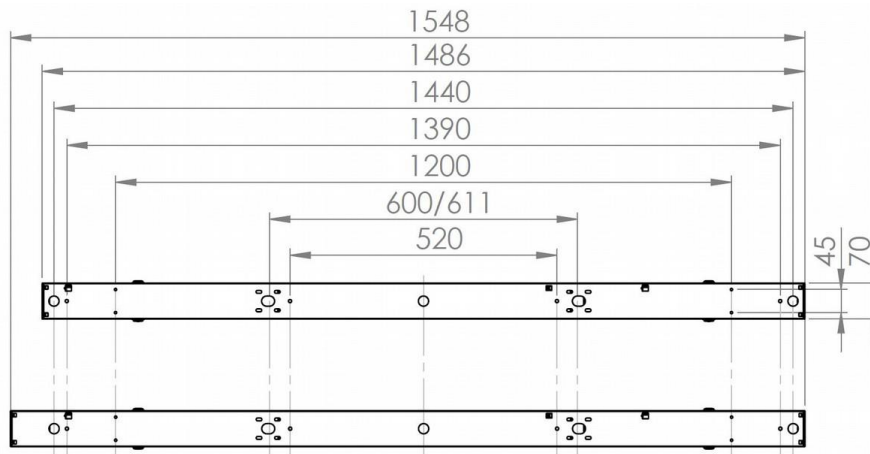
NOTE: INSTALLATION AND OPERATION OF THE LUMINAIRE BEYOND ITS SCOPE OF SUPPLY WILL INVALIDATE THE WARRANTY.

DIL-84-0001

Nominal 1200



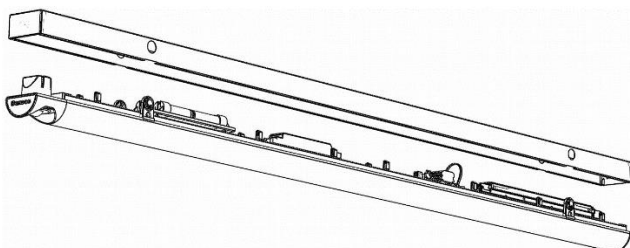
Nominal 1500



1.

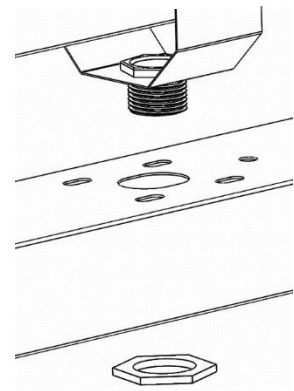
Press 4x plastic clips simultaneously to disengage front optic from housing.

Note – tether clips will be fastened between gear tray and housing. These may be temporarily released for ease of installation but must be refastened prior to STEP 4.

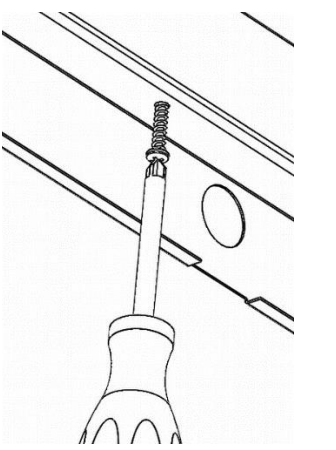
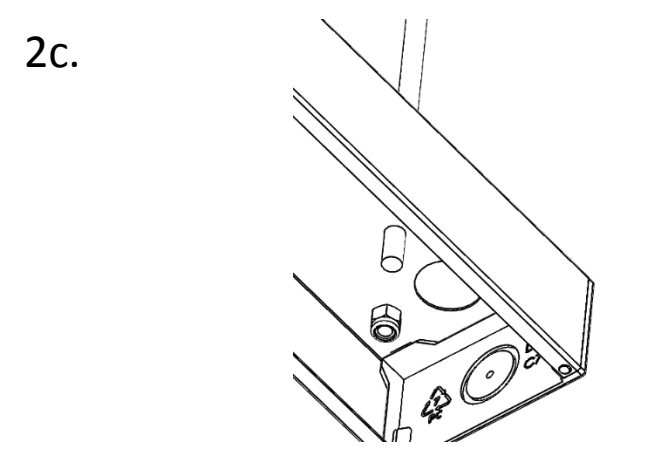
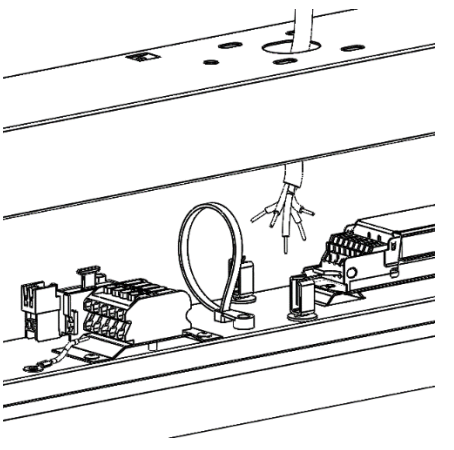
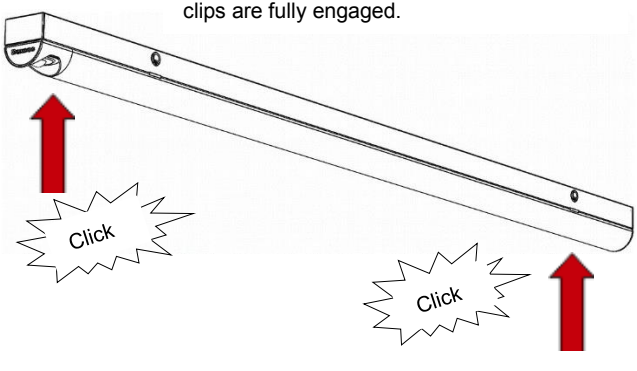


2a.

Choose an appropriate mount method to secure the housing.



EPK LED Installation

| | |
|--|--|
| <p>2b.</p>  | <p>2c.</p>  |
| <p>3.</p> <p>Feed cable through an appropriate cable entry hole, and through cable tie, then make electrical connection. Ensure cable tie securely tightened.</p>  | <p>4.</p> <p>Re-engage optic into housing. Ensure no cables/tethers are trapped and all four spring clips are fully engaged.</p>  |
| <p>5.</p> <p>For sensor versions, setup / commission as necessary.</p> | <p>6.</p> |
| <p>7.</p> | <p>8.</p> |