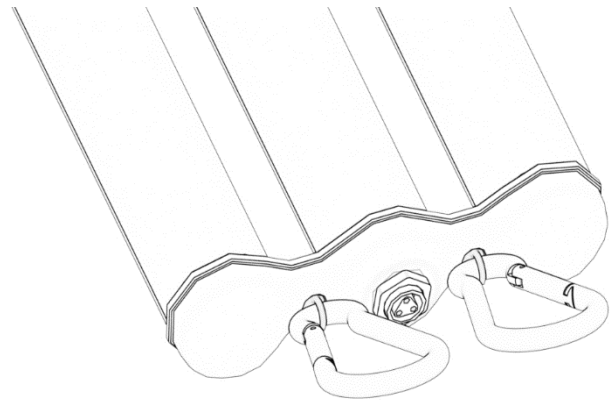
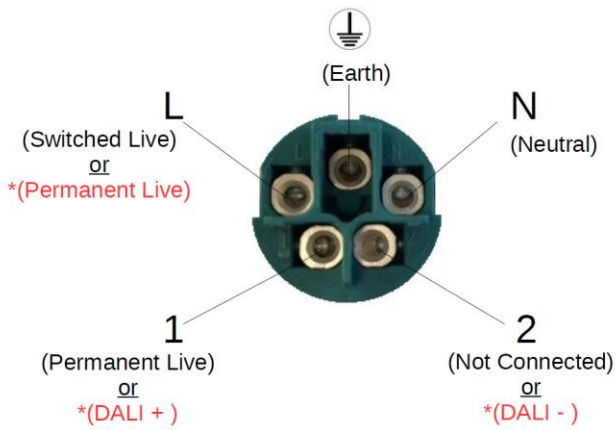


## TOR - INSTALLATION

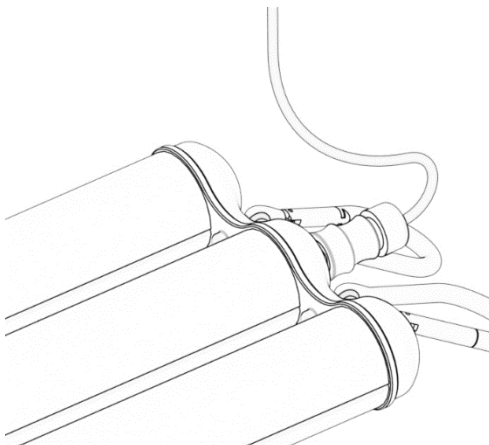


\* For E3 DALI fittings, live is permanent and on/off is controlled by DALI

- LUMINAIRE SUPPLIED WITH M4 EYEBOLTS (2No EACH END)
- CARABINAS SHOWN (NOT SUPPLIED) – CAN BE SUSPENDED VIA WIRE / CHAIN
- WIELAND RST MINI CONNECTOR SUPPLIED LOOSE (SEE DIAGRAM BELOW FOR WIRING INSTRUCTION)

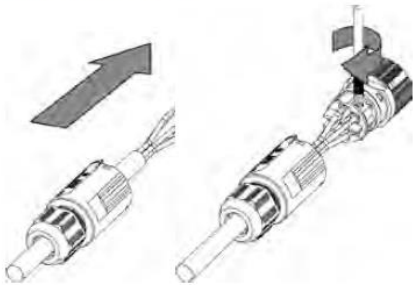
**NOTE – THIS LUMINAIRE IS NOT SERVICABLE IN THE FIELD AND MUST BE REPLACED IN THE EVENT OF FAILURE**

Emergency luminaires are denoted by a green circular label beside the electrical connector. This must be removed after installation in order to prevent contamination in food production environments.

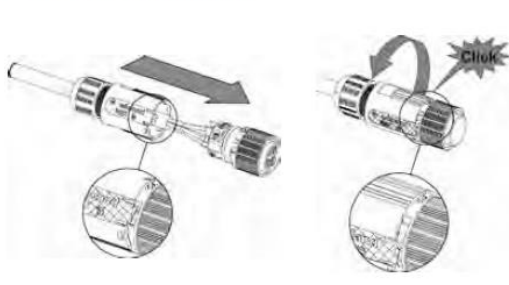


### Installation instructions

#### Wire connection



#### Locking the housing

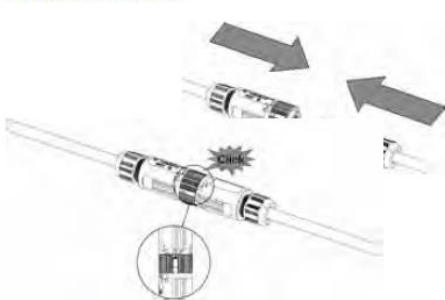


#### Opening the housing

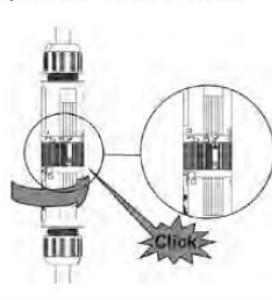


### TWISTLOCK – the smart lock

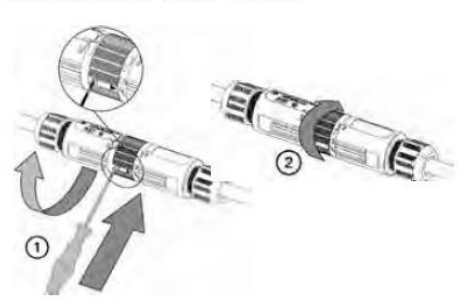
#### Automatic lock



#### Optional "SAFE LOCK"



#### Unlock from "SAFE LOCK"



Please note that electrical connections and installations shall only be done by trained experts. Observe the included installation instructions!