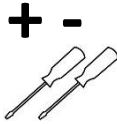


IMPS65 LED Installation

230-240V / 50-60Hz

IP65

IK00



WARNING - THIS LUMINAIRE MUST BE EARTHED

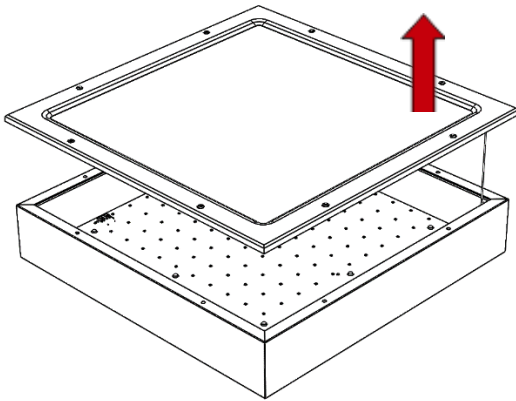
This luminaire has been tested and is manufactured to comply with BS EN 60598 : specification for general requirements and tests. It should be installed by a suitably qualified person in accordance with IEE.

CAUTION: there is a potential risk of electric shock from the LED boards when the product is operational with the cover removed.

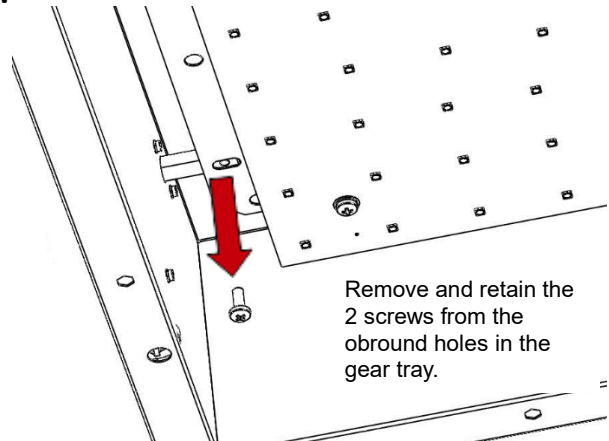
NOTE: INSTALLATION AND OPERATION OF THE LUMINAIRE BEYOND ITS SCOPE OF SUPPLY WILL INVALIDATE THE WARRANTY.

DIL-75-0005

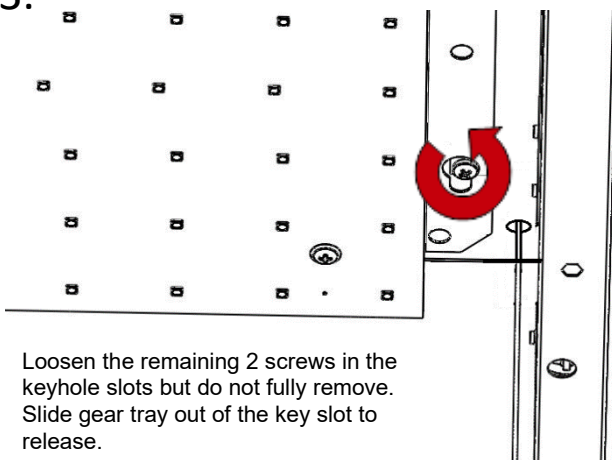
1. Remove diffuser by loosening each of the 8 retaining screws.



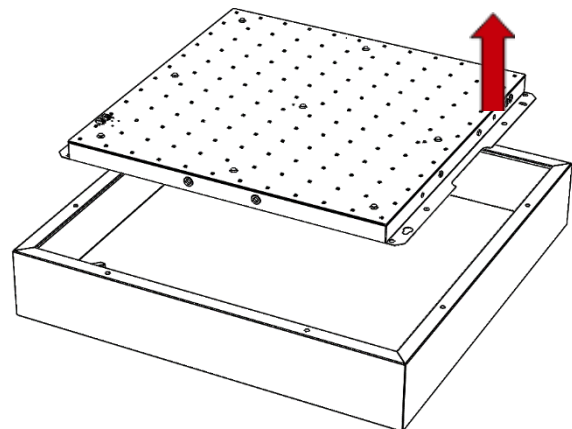
- 2.



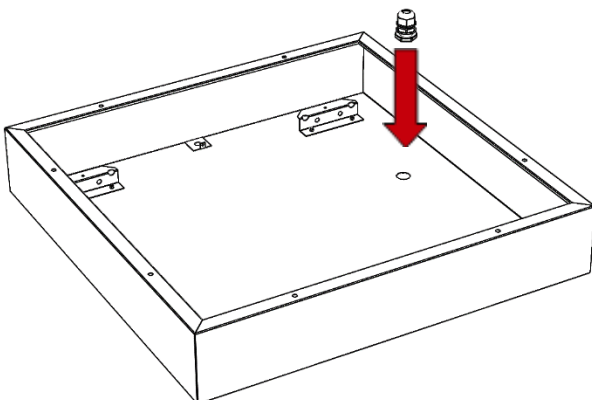
- 3.



4. Remove the gear tray and store in a safe place

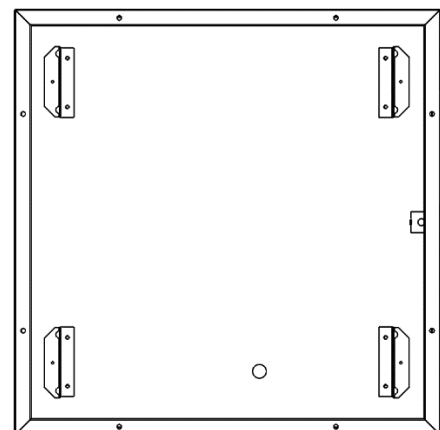


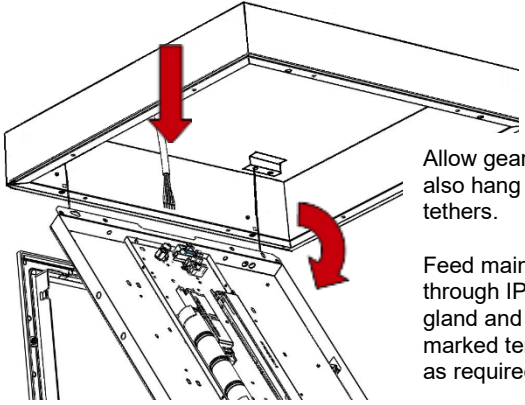
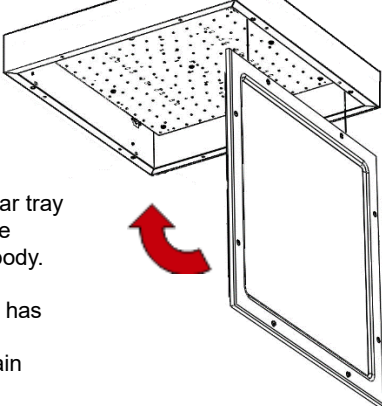
5. Fit the IP68 cable gland to the inside of the fitting using the hole provided and tighten fully.



- 6.

Drill four suitably placed holes in the rear of the housing and fix to the intended surface.



<p>7.</p>  <p>Allow gear tray to also hang on its tethers.</p> <p>Feed mains cable through IP68 gland and wire into marked terminals as required.</p>	<p>8.</p>  <p>Replace the gear tray and reattach the diffuser to the body.</p> <p>Ensure diffuser has been securely attached to retain IP65 rating.</p>
<p>9.</p>	<p>10.</p>
<p>11.</p>	<p>12.</p>
<p>13.</p>	<p>14.</p>