

230-240V / 50-60Hz

IP65

IK10



+



3.0mm



WARNING - THIS LUMINAIRE MUST BE EARTHED

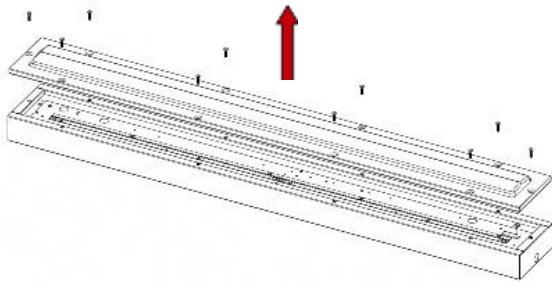
This luminaire has been tested and is manufactured to comply with BS EN 60598 : specification for general requirements and tests. It should be installed by a suitably qualified person in accordance with IEE.

CAUTION: there is a potential risk of electric shock from the LED boards when the product is operational with the cover removed.

NOTE: INSTALLATION AND OPERATION OF THE LUMINAIRE BEYOND ITS SCOPE OF SUPPLY WILL INVALIDATE THE WARRANTY.

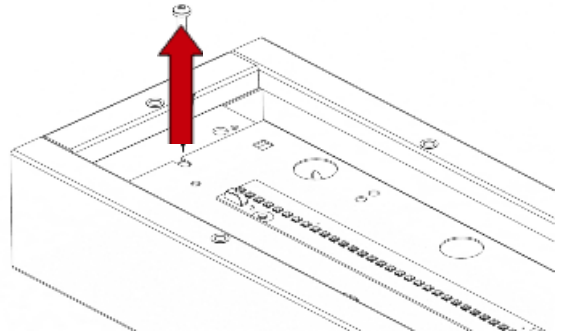
DIL-71-0002

1.



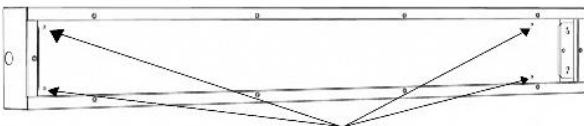
Carefully unpack the luminaire and undo the 10 x M5x20 socket screws in the frame and lift the entire frame from the housing.

2.



Undo the 2 x M4x10 machine screws in the ends of the gear tray as show in the image and remove the gear tray from the housing.

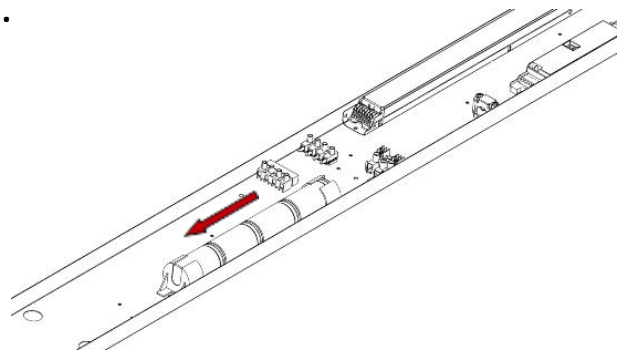
3.



Drill suitable fixings to suit required installation.

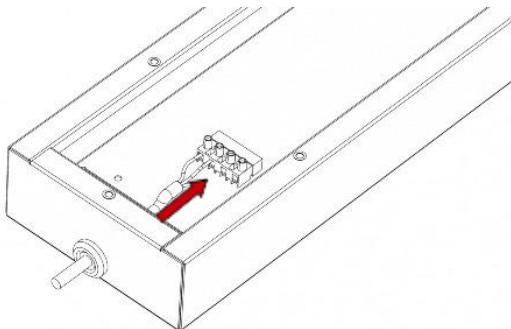
NOTE: IT IS THE CONTRACTORS RESPONSIBILITY TO ENSURE THE HOLES ARE SEALED. FAILURE TO SEAL THE HOLES WILL INVALIDATE THE LUMINAIRE'S IP RATING.

4.



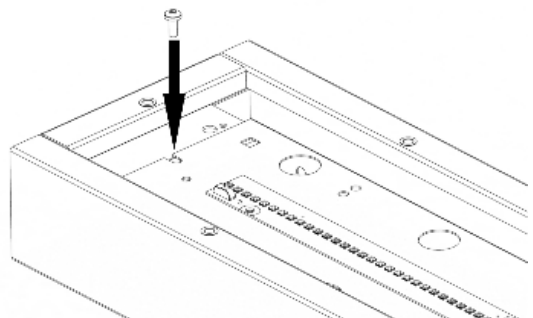
Remove the female socket from the tray as shown and hard-wire to the mains supply.

5.

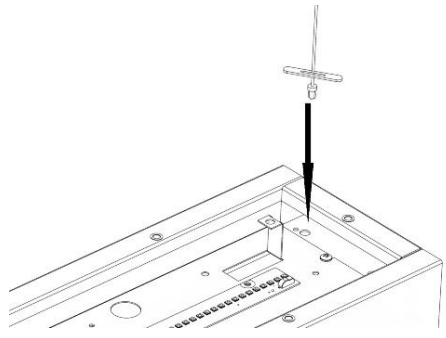
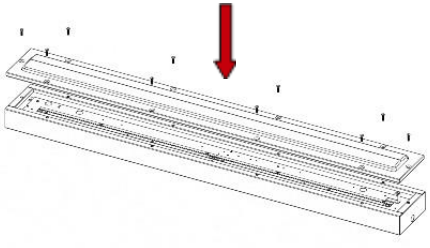


Reconnect the plug to the tray leaving sufficient cable length to reach.

6.



Carefully return the gear tray into the housing and secure into place with the 2 x M4x10 machine screws provided. Ensure the mains cable does not become trapped when doing so.

<p>7.</p>  <p>Feed the toggles on the tether wires through one of the 7mm rounds on the end brackets inside the housing. Hole location as shown to the right.</p>	<p>8.</p>  <p>Reverse step 1 to secure the frame back onto the housing. Do not over tighten the socket head screws when replacing the frame. Tighten sufficiently so to provide a seal between the frame gasket and the housing.</p>
<p>9.</p>	<p>10.</p>
<p>11.</p>	<p>12.</p>
<p>13.</p>	<p>14.</p>