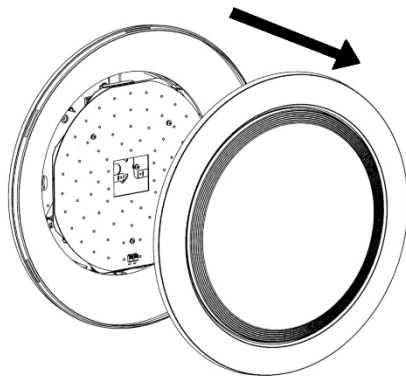
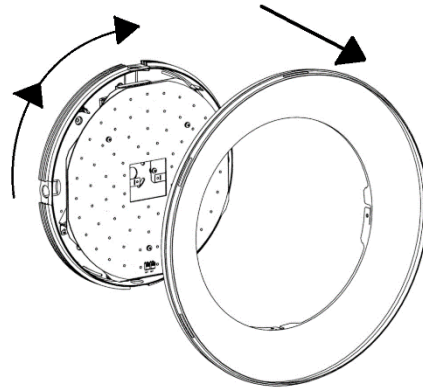


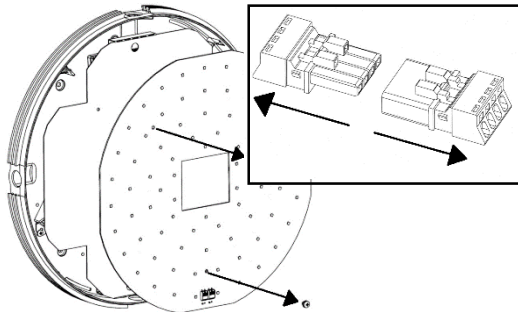
Discalo LED Luminaire - Installation Leaflet



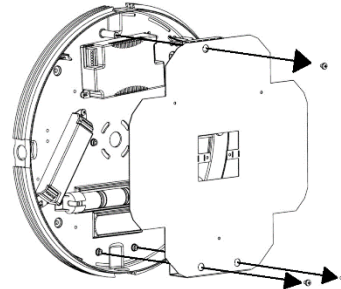
1. Carefully remove the front outer ring and diffuser by gently pulling around the outer edge. Set aside somewhere safe.



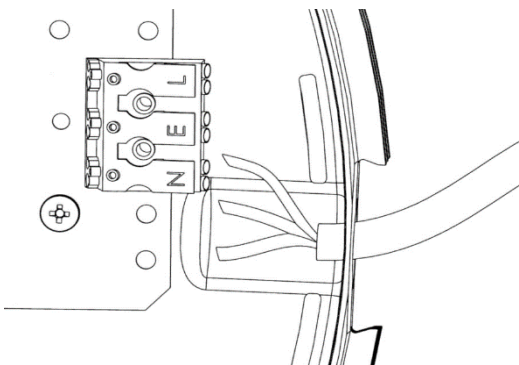
2. Rotate the rear diffuser clockwise until it releases and remove the ring from the main housing. Set aside somewhere safe.



3. Disconnect the plug and socket from the LED card and remove the 3x M4x5 screws holding the card onto the tray. Set safely to one side.



4. Remove the 3x M4x5 screws holding the tray into the luminaire and carefully remove the tray and set aside with the LED card and screws.



5. Feed the mains cable in through one of the designated cable entries and connect to terminal block(s). Ensure cable is secured in cable clamp.

6. Reverse steps 1 to 4 to finish installing the luminaire, ensuring all screws are correctly in place.

NOTE: Do not over-tighten the screws in the LED card, this may result in a damaged or broken LED card.

- Suitable for Supply Voltage – 240v 50Hz/60Hz AC unless marked otherwise.
- Connect supply and dimming signal cables as appropriate. Terminals are marked.
- For mains wiring of fittings with integral sensors refer to the separate sensor installation leaflet.
- Not for use in hazardous areas. For internal use only and should not be used in areas requiring ingress protection of greater than IP20 unless marked otherwise.
- Maximum Ambient Temperature rating, Ta is 25°C unless specified otherwise.
- This luminaire is only suitable for domestic and light industrial environments which are within the scope of EN 55015.
- There are no serviceable parts. No lamp changes are required with LED products.

For Supply and Control connections (where appropriate) please note that terminal block style and configuration may vary. Always refer to labels and terminal markings within the luminaire.



CAUTION: there is a potential risk of electric shock from the LED boards when the product is operational with the cover removed

LUMINAIRES FITTED WITH A MAINTAINED EMERGENCY PACK.

IMPORTANT: When the mains supply is isolated, the output terminals can still be live if the battery is connected. Both mains and batteries must be isolated before servicing.

- This luminaire is supplied converted for 3 hour maintained emergency operation.
- Fitting should be installed in the usual way as detailed on the installation instruction leaflet supplied.
- A secondary unswitched live connection (L2) should be fed to the inline within the fitting to supply a monitor live and for the battery charging circuit. **The unswitched supply must be taken from the same phase as the switched luminaire supply.**
- Once installed the integral/remote batteries must be commissioned. The battery cells must be connected to the emergency module (in some instances these are left disconnected for transportation). Batteries are connected either by a plug and socket arrangement or by connecting directly to the battery spade terminal.
- After making the unswitched mains supply “live”, the charging status indicator illuminates green to indicate that the batteries charging. Upon disconnection of this supply the indicator will extinguish and the emergency LED board will light.
- A period of 24 hours should be allowed before a full discharge test is carried out to ensure the battery is fully charged. A few repeated full charge and discharge cycles may be required to condition the battery to its maximum capacity.
- A maintenance sheet indicating testing intervals and duration is included and should be completed by the installation engineer after commissioning and issued to the customers maintenance department.
- The test record card should be completed at specified intervals to indicate that the full 3 hour duration is still being obtained. Batteries should be replaced once the rated duration can no longer be met.
- Excessive disconnection of the unswitched mains supply may result in premature battery failure or failure of the luminaire.
- There are no user serviceable parts in the module.
- Battery electrolyte can be harmful to eyes and open wounds. Care must be taken to avoid puncturing the case and allowing electrolyte to escape. If electrolyte touches the skin, flush with water.
- Do not incinerate batteries.

NOTE: INSTALLATION AND OPERATION OF THE LUMINAIRE BEYOND ITS SCOPE OF SUPPLY WILL INVALIDATE THE WARRANTY.

WARNING – THIS LUMINAIRE MUST BE EARTHED

This luminaire has been tested and is manufactured to comply with BS EN 60598 specification for general requirements and tests. It should be installed by a suitably qualified person in accordance with I.E.E. regulations and relevant legislation.

