

230-240V / 50-60Hz

IP20

IK00



**WARNING - THIS LUMINAIRE MUST BE EARTHED**

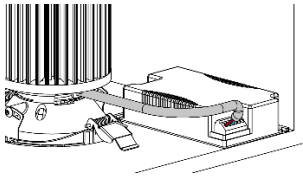
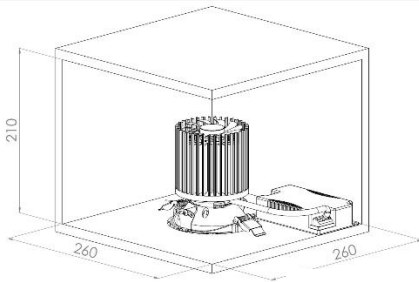
This luminaire has been tested and is manufactured to comply with BS EN 60598 : specification for general requirements and tests. It should be installed by a suitably qualified person in accordance with IEE.

**CAUTION:** there is a potential risk of electric shock from the LED boards when the product is operational with the cover removed.

**NOTE:** INSTALLATION AND OPERATION OF THE LUMINAIRE BEYOND ITS SCOPE OF SUPPLY WILL INVALIDATE THE WARRANTY.

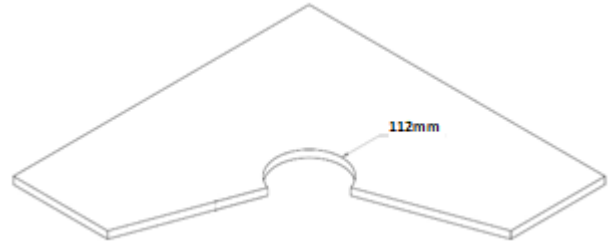
DIL-63-0001

1.



All electrical connections to be made prior to installing fitting into aperture. Ensure any gear and cables are located in a position where they will not hinder movement of the luminaire.

2.



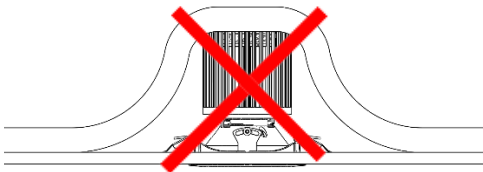
Ambient temperature within ceiling void:  
Min: 5°C Max: +35°C

Ceiling Aperture (mm): 112

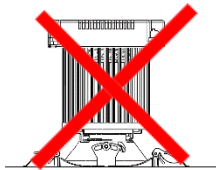
Ceiling Depth (mm): Min: 7 Max: 30

Use 3mm ply-wood patress mounting when mounting into soft tiles.

3.

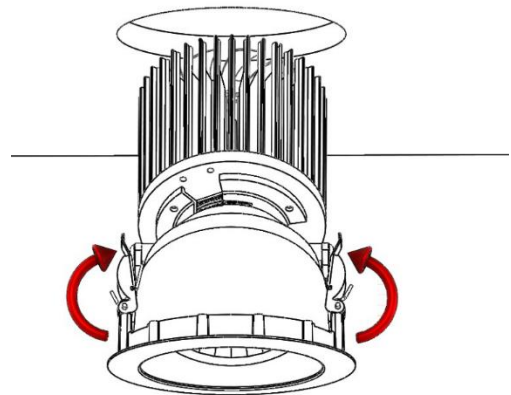


**DO NOT** cover heat sink



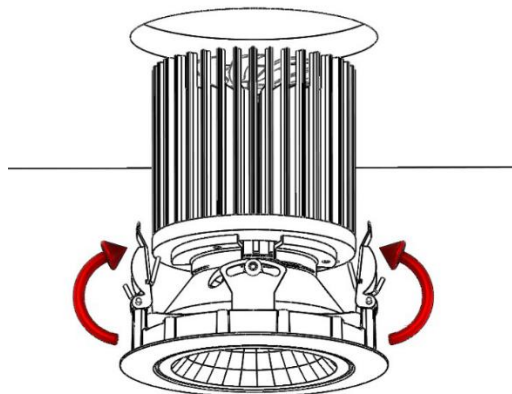
**DO NOT** mount driver on top of heat sink

4.

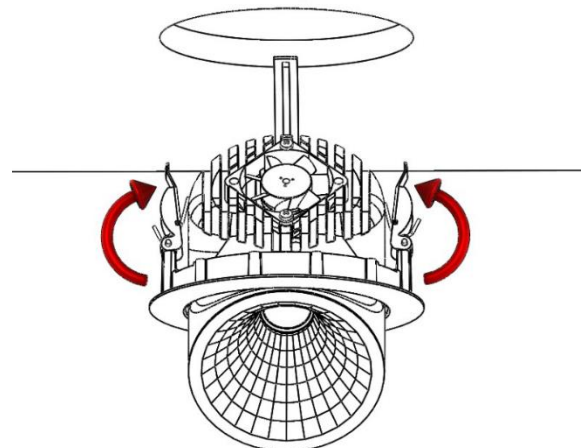


Load spring clips and raise fitting into ceiling aperture

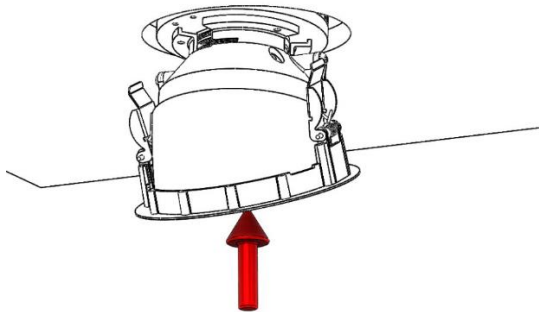
5.



6.

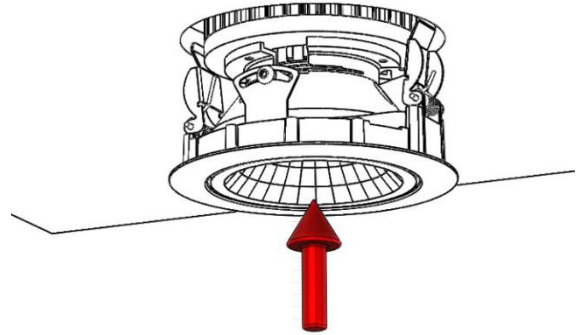


7.

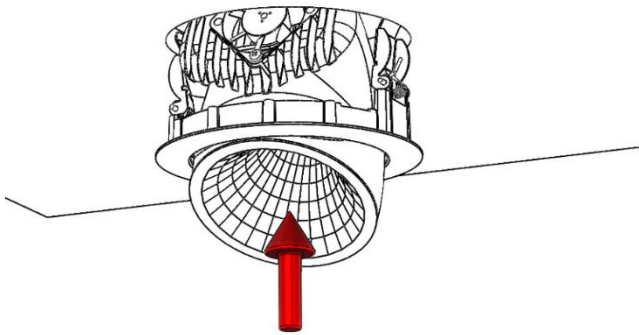


Push into ceiling aperture and allow spring clips to snap fitting into position.

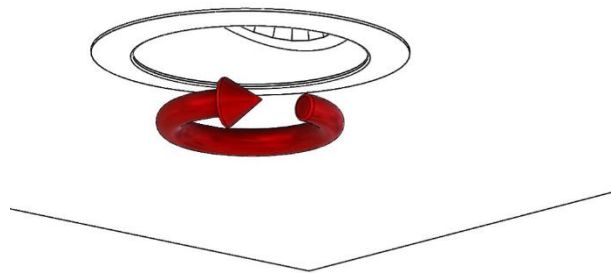
8.



9.

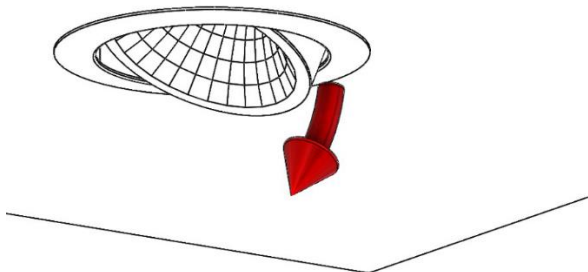


10.

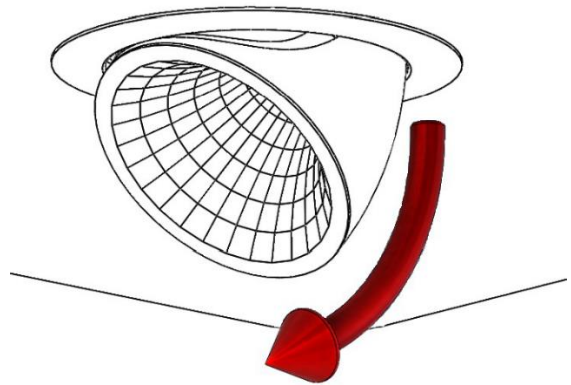


Adjust fitting to perform as desired

11.



12.



13.

14.