

OPUS LED FLOODLIGHT LUMINAIRE

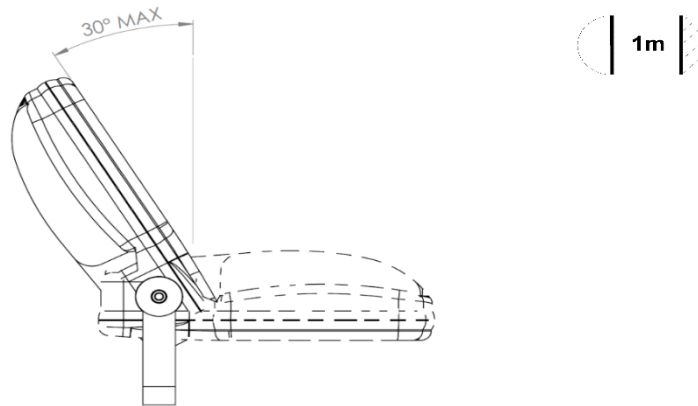
FAILURE TO ADHERE TO THESE INSTRUCTIONS COULD INVALIDATE YOUR WARRANTY

WARNING

Remove and read installation leaflet **BEFORE** carrying out installation of this product. To do this, slacken off **ALL** of the cover screws and open fitting Do not exceed **1.5NM torque** when securing front cover screws. Over-tightening of the cover screws may result in failure of IP65 rating. Mounting instructions regarding the orientation and location of fitting must be strictly adhered to.

INSTALLATION INSTRUCTIONS

Secure saddle bracket to a suitable surface making sure that all mounting limitations have been observed:



- Ensure power is turned off and make connection to the fitting via the IP65 cable gland.
- Maximum TA30 °c. If the maximum operating temperature is exceeded the luminaire will moderate its output accordingly and could result in a cycling effect.
- Enough power cable must be used to enable the fitting to be orientated to its working position.
- Ensure all connections to the terminal block are positively screwed down.
- Tighten IP65 cable gland to firmly secure cable.
- Swivel cover back into position and **CAREFULLY** tighten up the cover screws. Excessive force must not be used.
- Rotate fitting to desired operating angle (Not more than 90 Degrees from the vertical) and tighten screws.

- Voltage - 230 / 240V 50hz AC
 - This luminaire is only suitable for domestic, light industrial and industrial environments which are within the scope of EN55015.
- There are no user serviceable parts. No lamp changes are required with LED products.

OPUS LED FLOODLIGHT LUMINAIRE

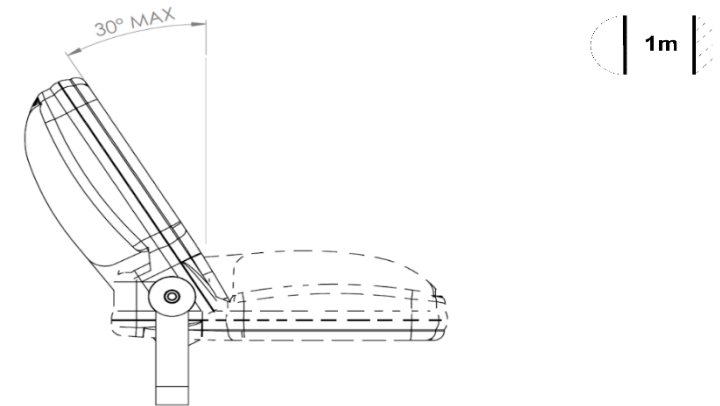
FAILURE TO ADHERE TO THESE INSTRUCTIONS COULD INVALIDATE YOUR WARRANTY

WARNING

Remove and read installation leaflet **BEFORE** carrying out installation of this product. To do this, slacken off **ALL** of the cover screws and open fitting Do not exceed **1.5NM torque** when securing front cover screws. Over-tightening of the cover screws may result in failure of IP65 rating. Mounting instructions regarding the orientation and location of fitting must be strictly adhered to.

INSTALLATION INSTRUCTIONS

Secure saddle bracket to a suitable surface making sure that all mounting limitations have been observed:



- Ensure power is turned off and make connection to the fitting via the IP65 cable gland.
- Maximum TA30 °c. If the maximum operating temperature is exceeded the luminaire will moderate its output accordingly and could result in a cycling effect.
- Enough power cable must be used to enable the fitting to be orientated to its working position.
- Ensure all connections to the terminal block are positively screwed down.
- Tighten IP65 cable gland to firmly secure cable.
- Swivel cover back into position and **CAREFULLY** tighten up the cover screws. Excessive force must not be used.
- Rotate fitting to desired operating angle (Not more than 90 Degrees from the vertical) and tighten screws.

- Voltage - 230 / 240V 50hz AC
 - This luminaire is only suitable for domestic, light industrial and industrial environments which are within the scope of EN55015.
- There are no user serviceable parts. No lamp changes are required with LED products.