

Tracer Lowbay 2 Installation

220-240V / 50-60Hz

IP20

IK00



Terminal Labelling:

Power

L1 Switched Live
E Earth
N Neutral

Emergency

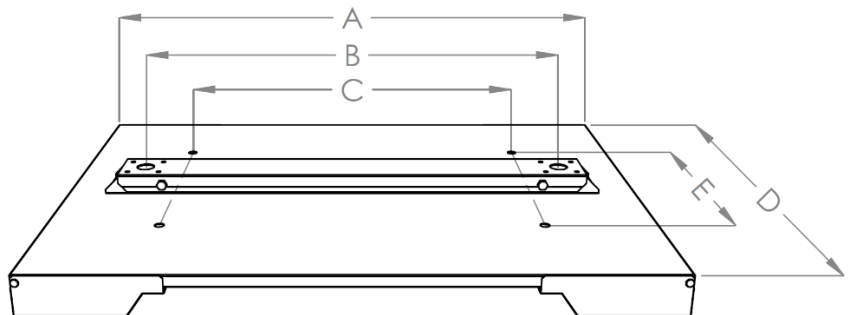
L2 Unswitched Live
DA/AT3 DALI Autotest
DA/AT3 DALI Autotest

Dimming

-/D1/DA Analogue/DSI/DALI
+/D2/DA Analogue/DSI/DALI
L3 Switch Dim / Corridor Function

WARNING: Luminaire must be earthed. Risk of electric shock from LED boards if operated with cover removed. Installation / operation outside of luminaires intended scope invalidates warranty. Suitable only for domestic / light industrial / industrial applications within the scope of EN55015. Tested to compliance with BSEN 60598: specification for general requirements and tests. Must be installed by a suitably qualified person in accordance with all relevant legislation. Ambient operating temperature of 0°C to 25°C. If maximum operating temperature is exceeded luminaire will automatically dim / switch off. Terminal blocks are rated to 16A unless stated otherwise. The light source is non replaceable. **LUMINAIRES WITH EMERGENCY PACK:** When supply is isolated battery output terminals may be live if battery is connected. Isolate mains and battery before servicing. Emergency luminaires require unswitched live connection taken from same phase as switched supply. When unswitched supply is connected status indicator illuminates green, when unswitched supply is disconnected indicator extinguishes and luminaire operates in emergency mode. 24 hour charge period required before undertaking full discharge test. Emergency test sheets provided should be used to record all emergency tests. Batteries should be replaced when 3 hour duration is not met. Excessive switching of permanent live may result in premature battery failure. Battery electrolyte can be harmful to eyes / open wounds, do not puncture, if electrolyte touches skin / eyes flush with water. Do not incinerate batteries.

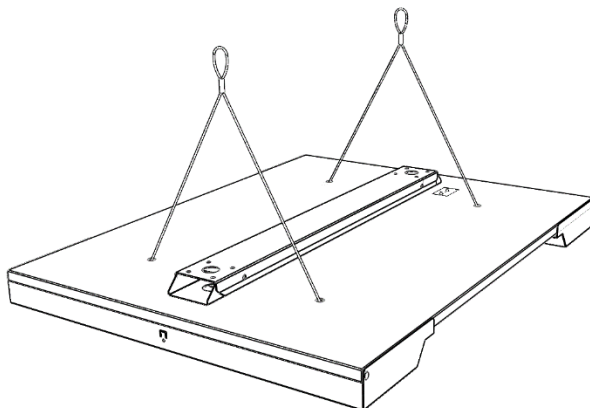
	TRL180	TRL240	TRL300
A	526	646	766
B	357	476	596
C	285	406	526
D	505	505	505
E	250	250	250
Depth	90	90	90



For suspended installation, complete 'A' and then skip to step 7.

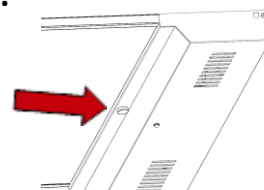
For trunking or solid ceiling fix, follow steps 1-8.

A.

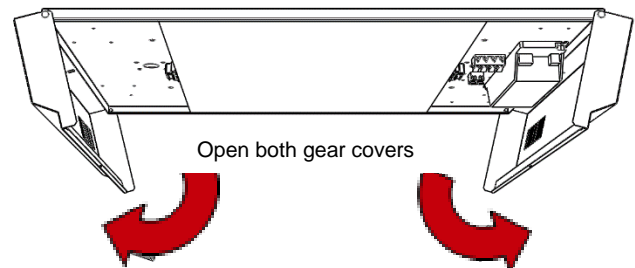


Suspend via 2x Y-fit wires (ordered separately). Do not suspend from single point!!

1.



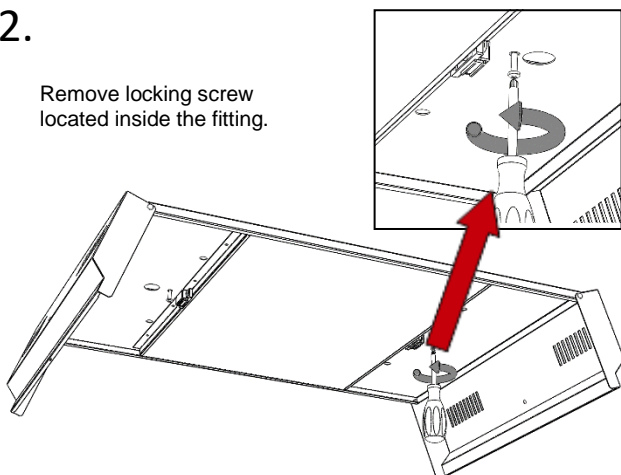
Remove 2x screw cover caps, then unscrew to release gear covers.



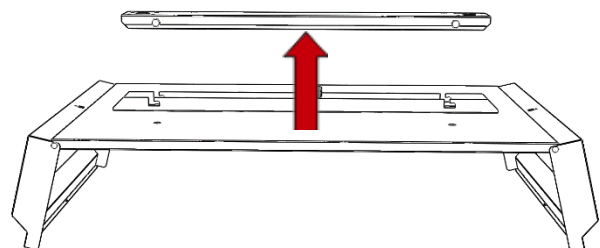
Open both gear covers

2.

Remove locking screw located inside the fitting.

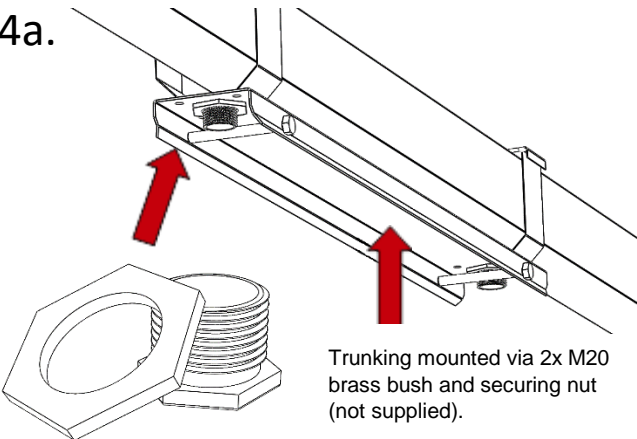
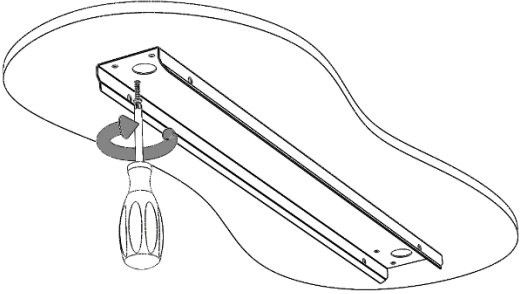
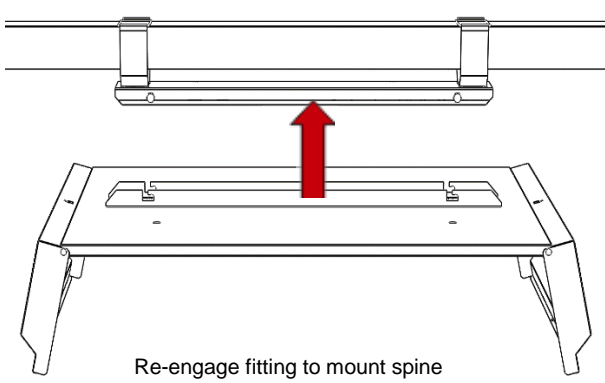
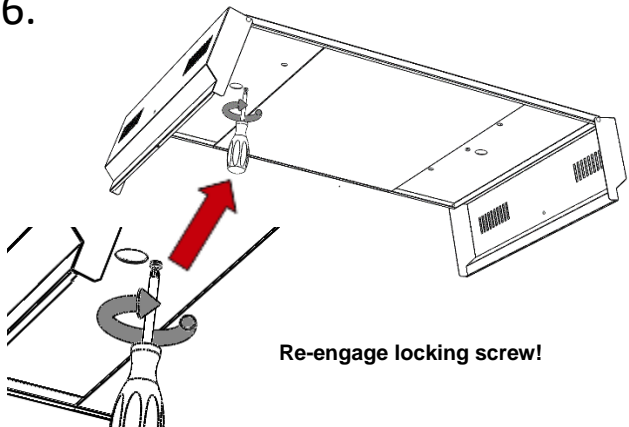
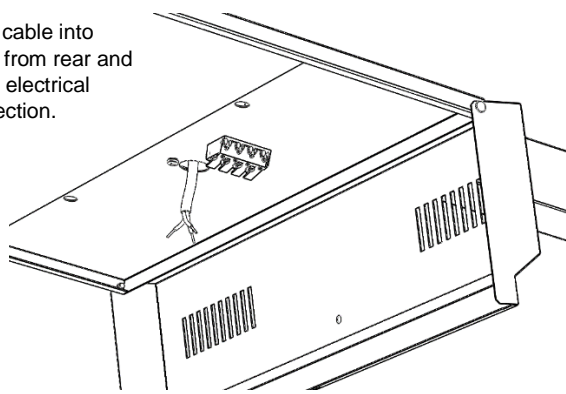
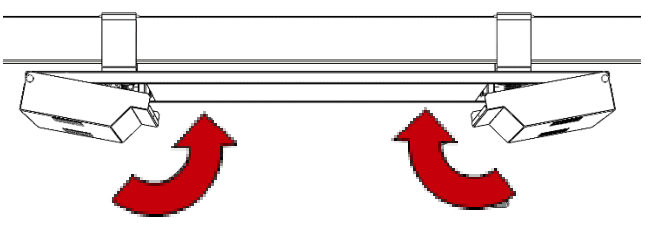
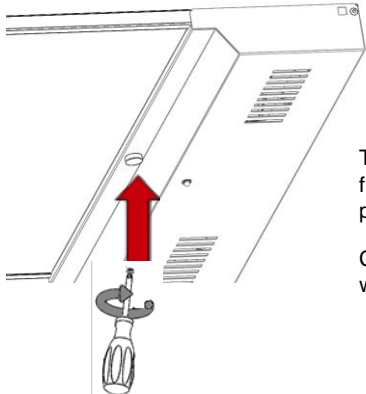


3.



Remove mount spine.

Tracer Lowbay 2 Installation

<p>4a.</p>  <p>Trunking mounted via 2x M20 brass bush and securing nut (not supplied).</p>	<p>4b.</p>  <p>Surface mounted via 4x appropriate screw fixings (not supplied) into solid ceiling.</p>
<p>5.</p>  <p>Re-engage fitting to mount spine</p>	<p>6.</p>  <p>Re-engage locking screw!</p>
<p>7.</p> <p>Feed cable into fitting from rear and make electrical connection.</p> 	<p>8.</p>  <p>Close gear covers.</p>
<p>9.</p>  <p>Tighten screw to fix gear cover in place. Cover screw head with the cover cap.</p>	<p>10.</p>