

# Opus 360 High Output Installation

230-240V / 50-60Hz

IP65

IK08



4.0mm



## WARNING - THIS LUMINAIRE MUST BE EARTHED

This luminaire has been tested and is manufactured to comply with BS EN 60598 : specification for general requirements and tests. It should be installed by a suitably qualified person in accordance with IEE.

**CAUTION:** there is a potential risk of electric shock from the LED boards when the product is operational with the cover removed.

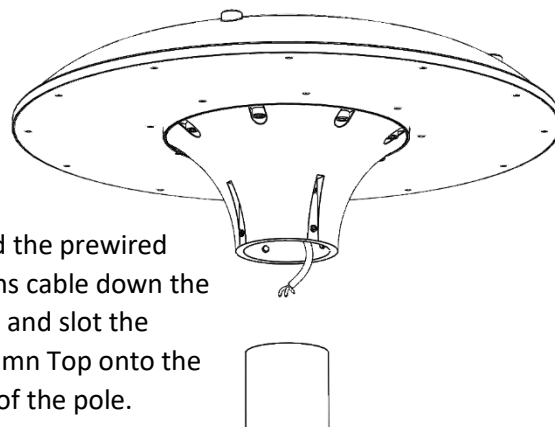
**NOTE:** INSTALLATION AND OPERATION OF THE LUMINAIRE BEYOND ITS SCOPE OF SUPPLY WILL INVALIDATE THE WARRANTY.

DIL-0405-0001

1.

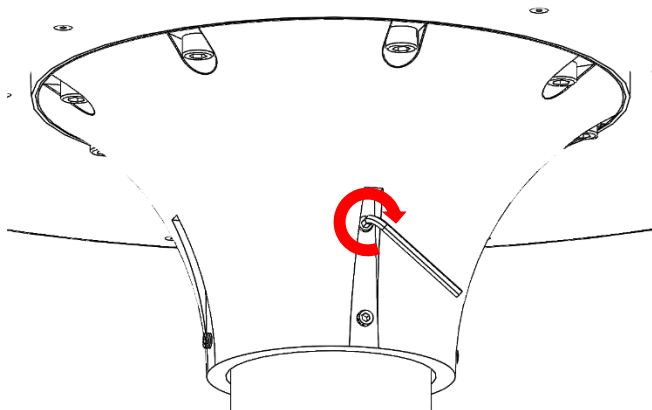
Carefully unpack luminaire and discard packaging.

2.



3.

Tighten all grub screws using a 4mm Allen key to 11Nm.



4.

Wire luminaire into the base of the column as required.

5.

6.