

EXI LED Installation

230-240V / 50-60Hz

IP20

IK00



WARNING - THIS LUMINAIRE MUST BE EARTHED

This luminaire has been tested and is manufactured to comply with BS EN 60598 : specification for general requirements and tests. It should be installed by a suitably qualified person in accordance with IEE.

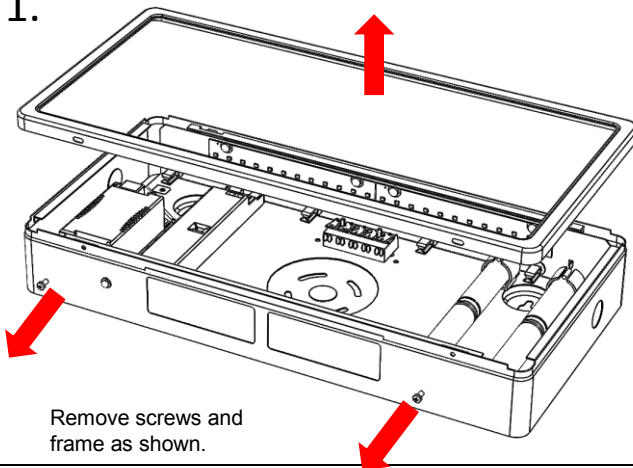
CAUTION: there is a potential risk of electric shock from the LED boards when the product is operational with the cover removed.

NOTE: INSTALLATION AND OPERATION OF THE LUMINAIRE BEYOND ITS SCOPE OF SUPPLY WILL INVALIDATE THE WARRANTY.

DIL-0367-0001

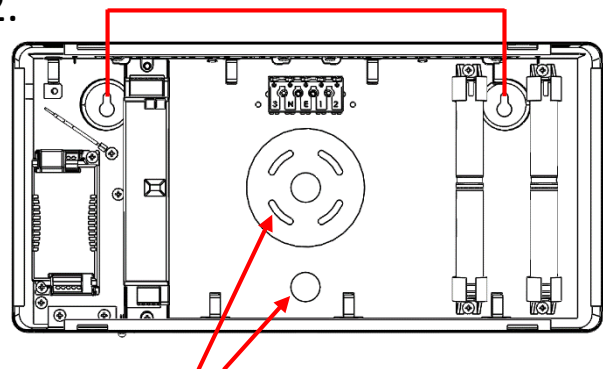
270mm

1.



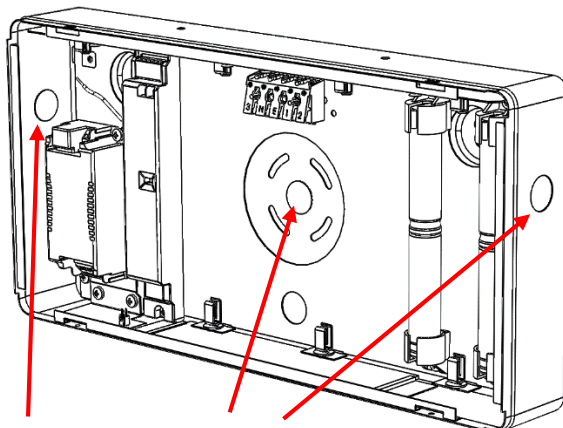
Remove screws and frame as shown.

2.



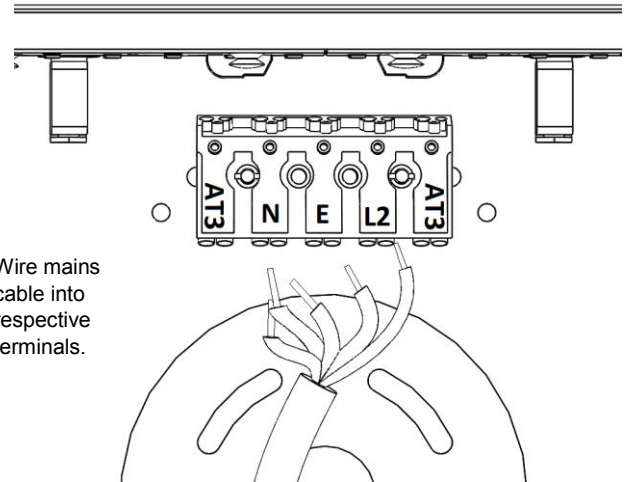
Fix the body to wall using the two keyhole slots as shown above. BESA or a third fixing hole may be drilled as highlighted above if necessary.

3.



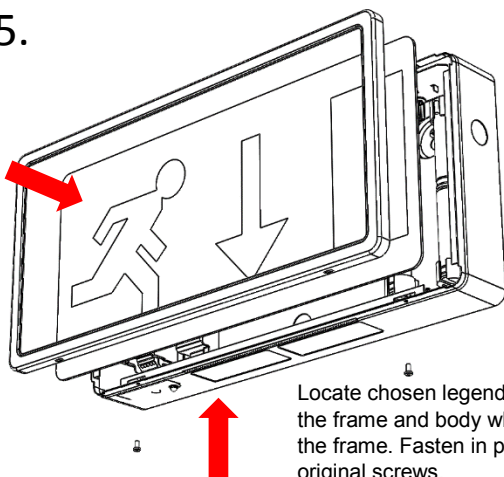
Drill cable entry in one of the highlighted positions and feed mains cable into fitting.

4.



Wire mains cable into respective terminals.

5.



Locate chosen legend in between the frame and body when replacing the frame. Fasten in place with original screws.

6.