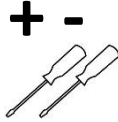


230-240V / 50-60Hz
 IP20
 IK00



WARNING - THIS LUMINAIRE MUST BE EARTHED

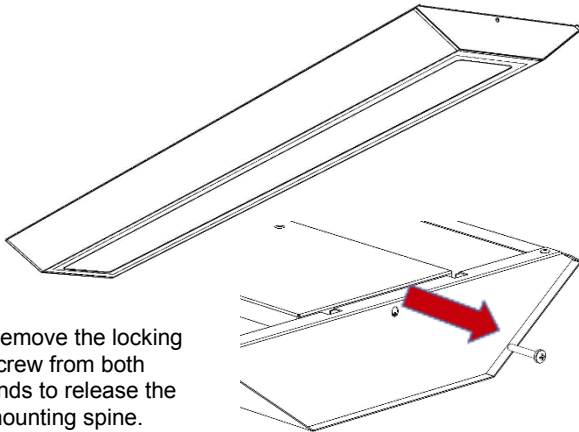
This luminaire has been tested and is manufactured to comply with BS EN 60598 : specification for general requirements and tests. It should be installed by a suitably qualified person in accordance with IEE.

CAUTION: there is a potential risk of electric shock from the LED boards when the product is operational with the cover removed.

NOTE: INSTALLATION AND OPERATION OF THE LUMINAIRE BEYOND ITS SCOPE OF SUPPLY WILL INVALIDATE THE WARRANTY.

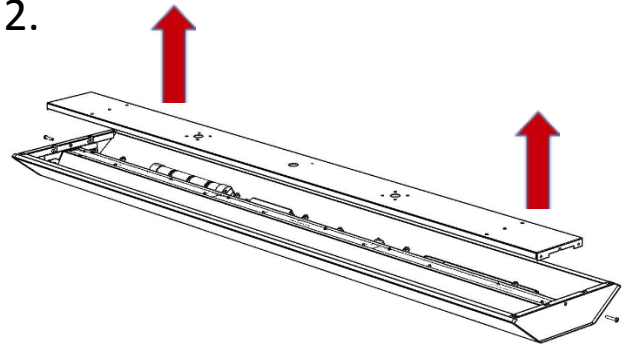
DIL-0323-0001

1.



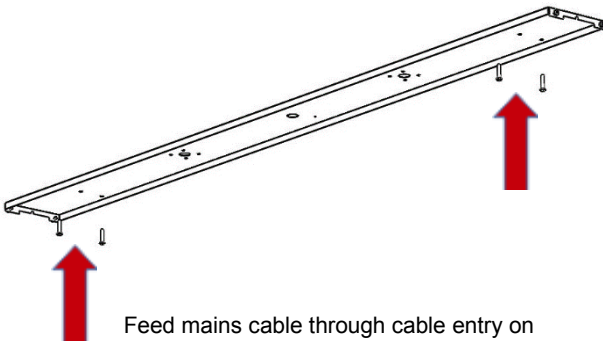
Remove the locking screw from both ends to release the mounting spine.

2.



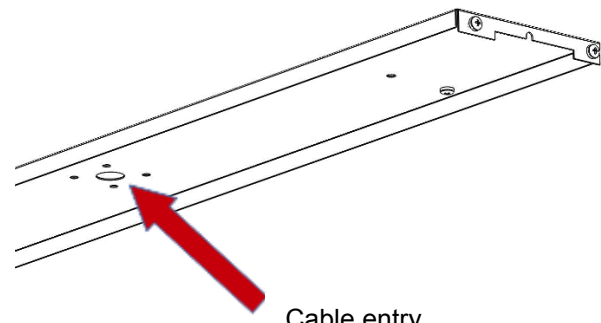
It will slide to the side before dropping off the luminaire.

3.



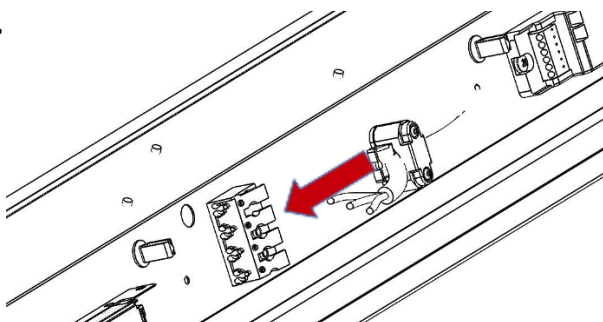
Feed mains cable through cable entry on spine. Install the mounting spine onto the ceiling using 4no. Screws (not supplied) as shown.

4.



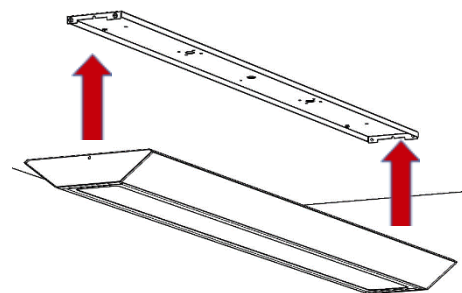
Cable entry

5.



Connect mains cable to terminal block as required. Terminals are marked accordingly.

6.



Reverse steps 1 and 2 to install the luminaire back on to the mounting spine. Ensure the luminaire has fully engaged onto the screws in the mounting spine before inserting locking screws.