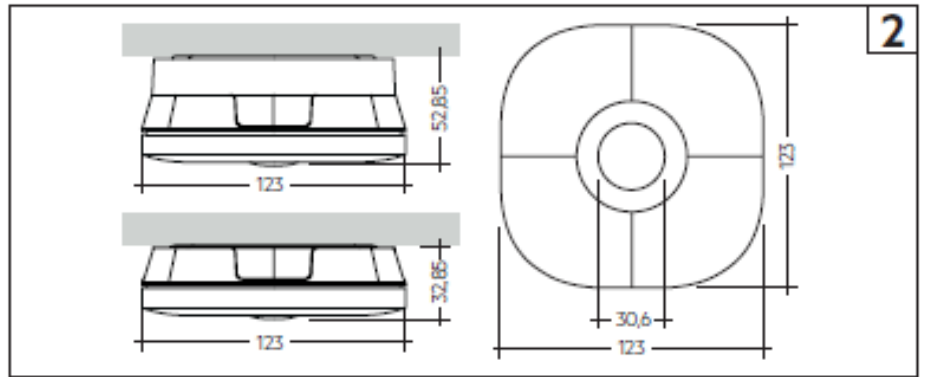
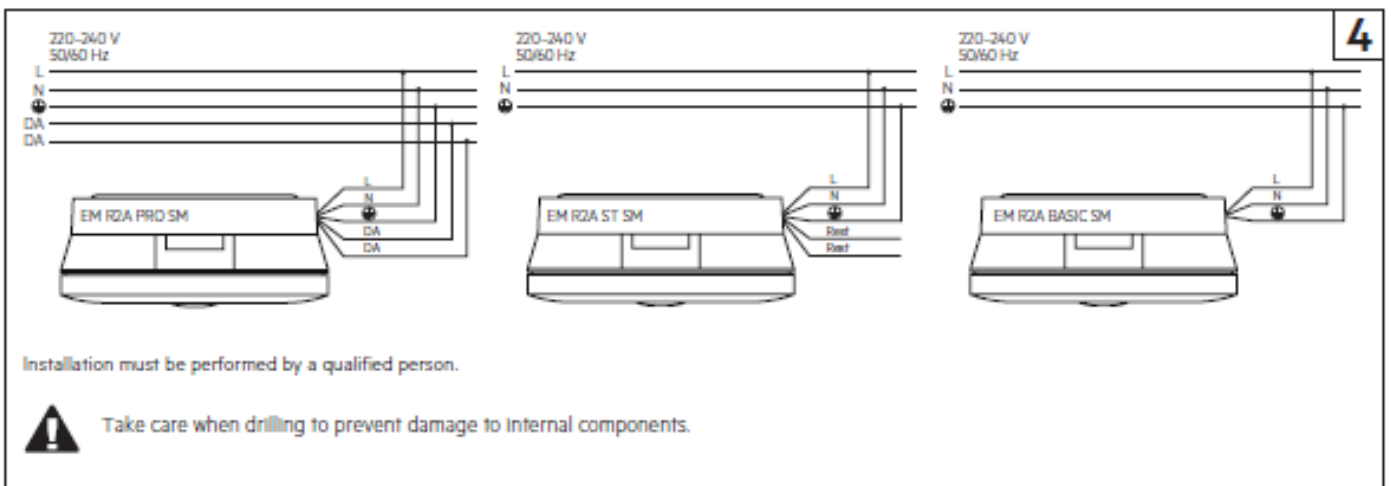
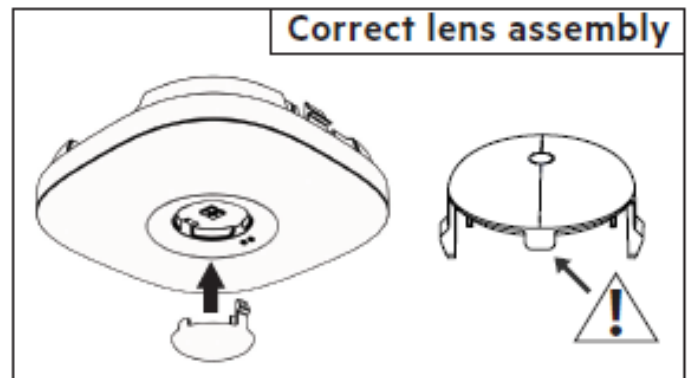
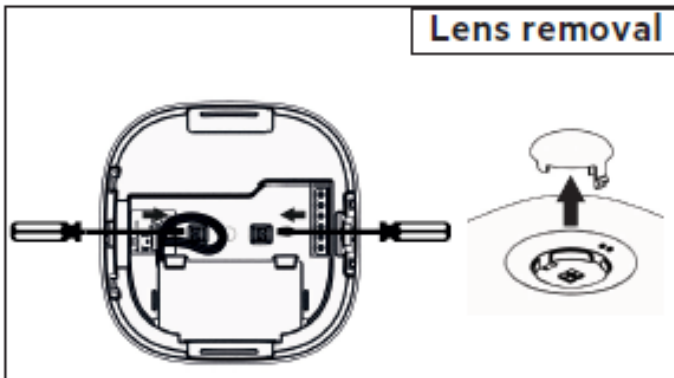
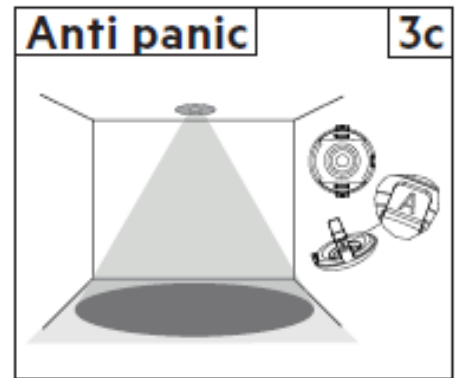
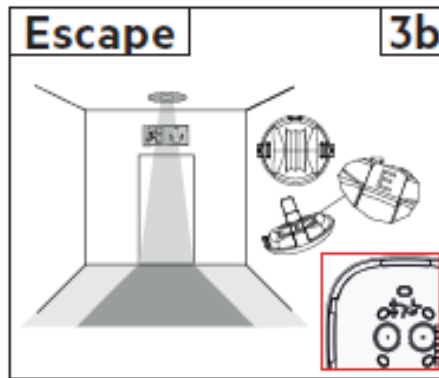
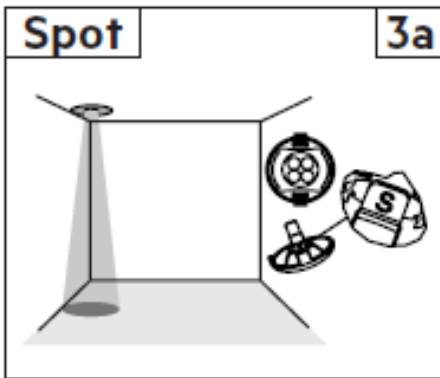


## LED4 Surface Installation

### Mounting Instruction

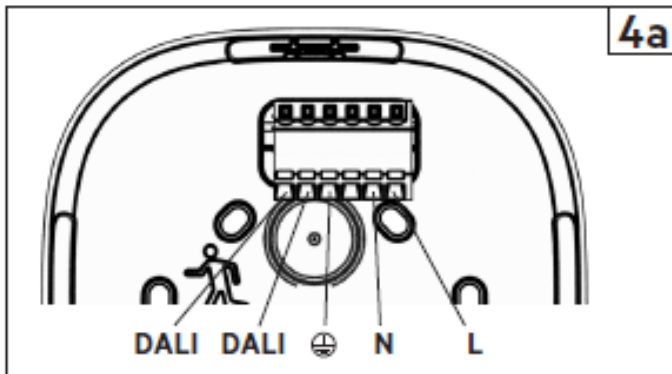


Dimensions in mm

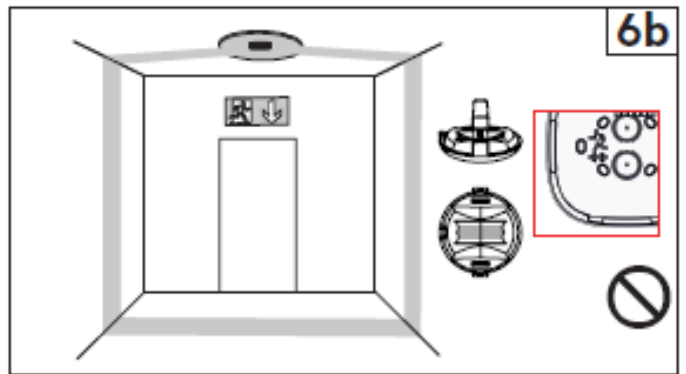
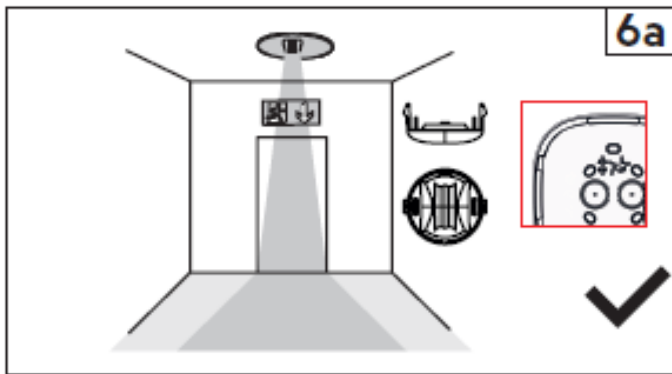
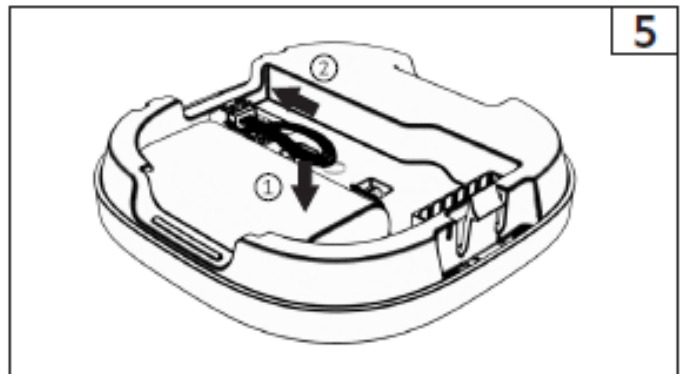


## LED4 Surface Installation

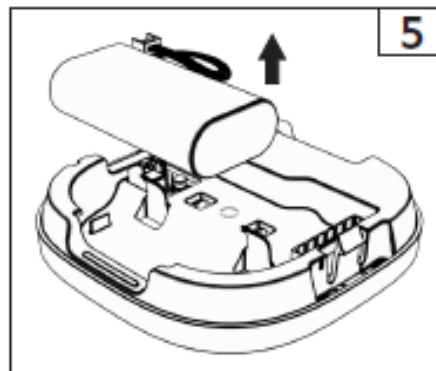
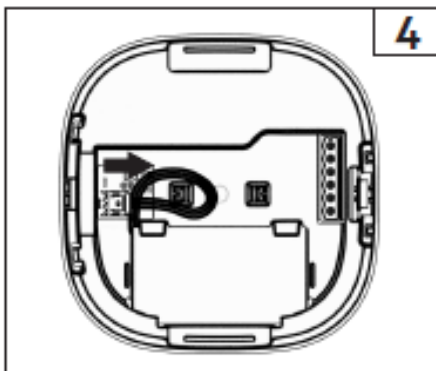
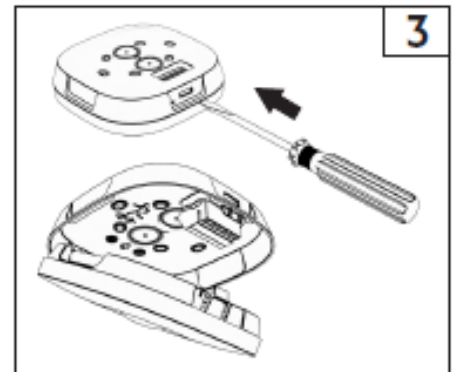
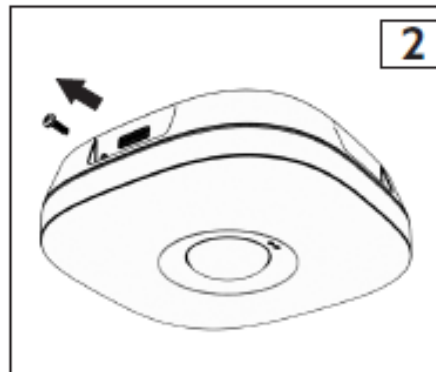
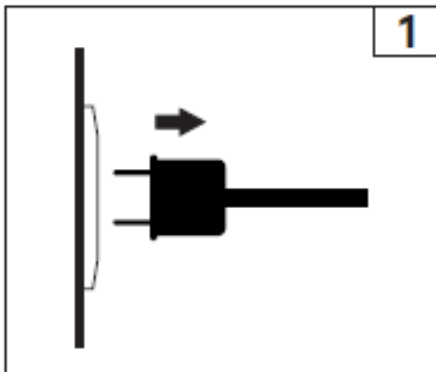
### Terminal Description



### Battery Connection



### Battery Exchange



For re-connection of EM R2A  
start in reverse order