

Glide Installation

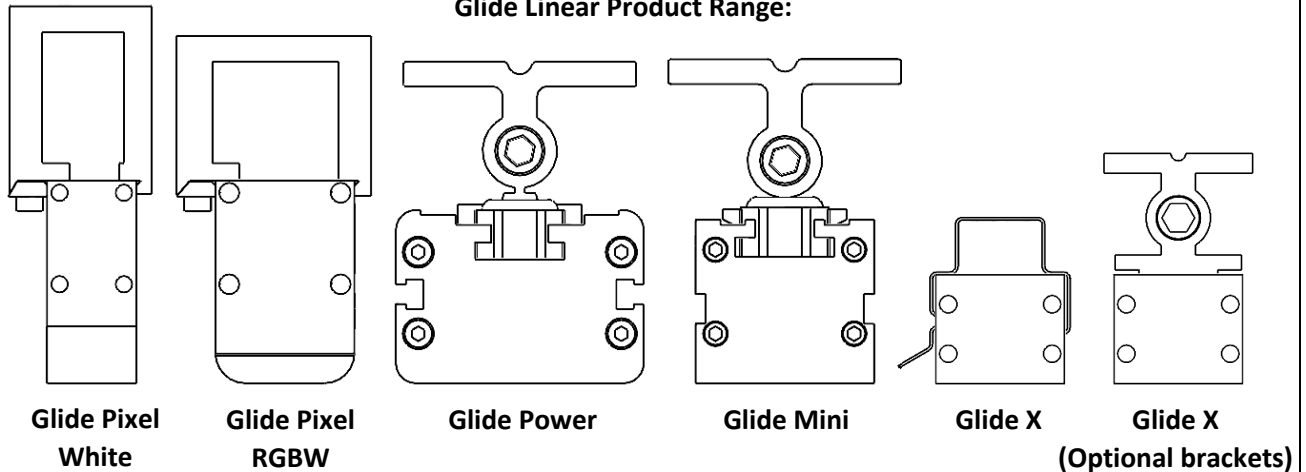
220-240V / 50-60Hz
IP20 - IP66
(Dependant on product)



Terminal Labelling:	
Power	
L1	Switched Live
E	Earth
N	Neutral
Emergency	
L2	Unswitched Live
DA/AT3	DALI Autotest
DA/AT3	DALI Autotest
Dimming	
-D1/DA	Analogue/DSI/DALI
+D2/DA	Analogue/DSI/DALI
L3	Switch Dim / Corridor Function

WARNING: Luminaire must be earthed. Risk of electric shock from LED boards if operated with cover removed. Installation / operation outside of luminaires intended scope invalidates warranty. Suitable only for domestic / light industrial / industrial applications within the scope of EN55015. Tested to compliance with BSEN 60598: specification for general requirements and tests. Must be installed by a suitably qualified person in accordance with all relevant legislation. Ambient operating temperature of 0°C to 25°C. If maximum operating temperature is exceeded luminaire will automatically dim / switch off. Terminal blocks are rated to 16A unless stated otherwise. The light source is non replaceable. **LUMINAIRES WITH EMERGENCY PACK:** When supply is isolated battery output terminals may be live if battery is connected. Isolate mains and battery before servicing. Emergency luminaires require unswitched live connection taken from same phase as switched supply. When unswitched supply is connected status indicator illuminates green, when unswitched supply is disconnected indicator extinguishes and luminaire operates in emergency mode. 24 hour charge period required before undertaking full discharge test. Emergency test sheets provided should be used to record all emergency tests. Batteries should be replaced when 3 hour duration is not met. Excessive switching of permanent live may result in premature battery failure. Battery electrolyte can be harmful to eyes / open wounds, do not puncture, if electrolyte touches skin / eyes flush with water. Do not incinerate batteries.

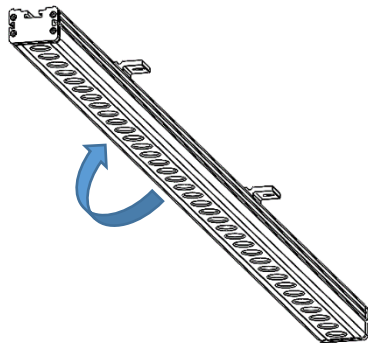
Glide Linear Product Range:



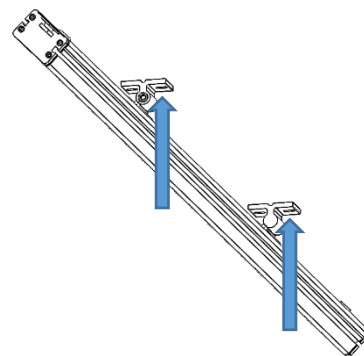
1. Glide Power/Glide Mini

IP66

2.

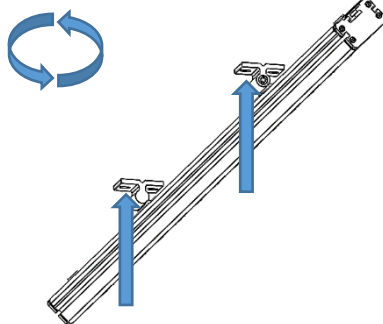


Position the fitting in the desired location and tilt to one side.



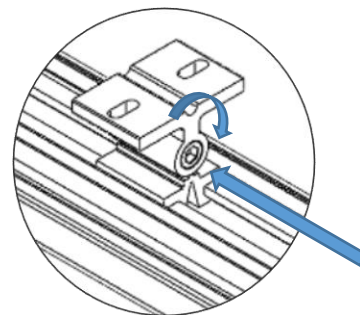
Fix one side of the brackets to the mounting surface.

3.



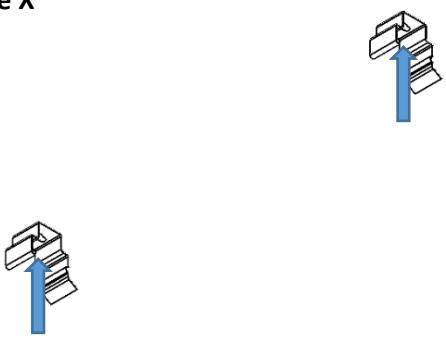
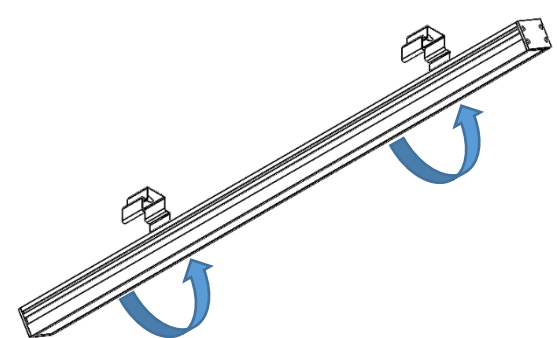
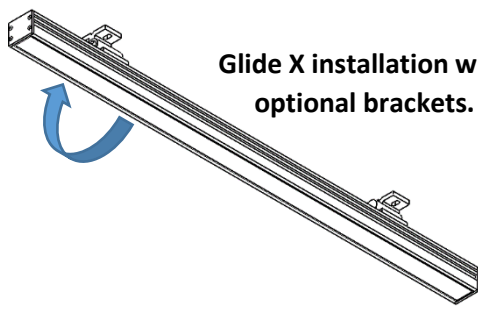
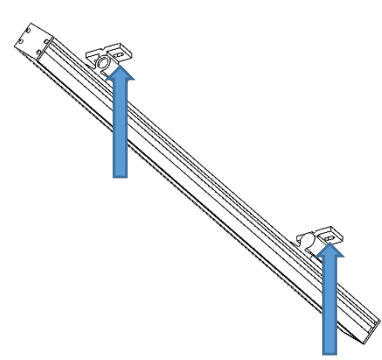
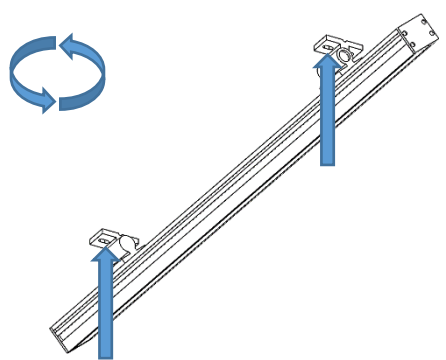
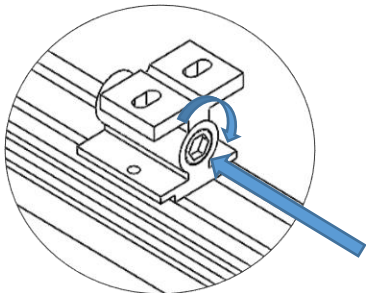
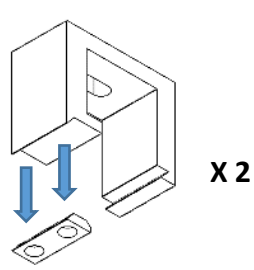

Rotate the fitting and fix the brackets on the opposite side.

4.



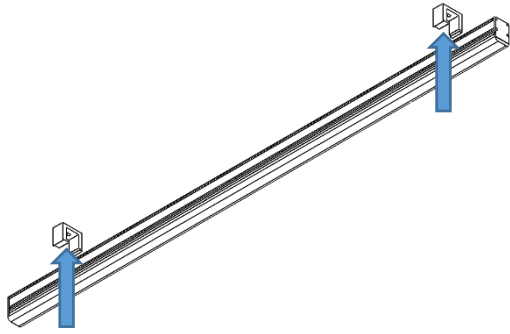
Once secure, position the fitting to the desired angle and then tighten the adjustable bracket on each end.

Glide Installation

<p>1. Glide X</p> <p>IP20</p>  <p>Packed with spring steel clips as standard. Secure these clips in the desired location.</p>	<p>2.</p>  <p>Lift and tilt the fitting so it snaps into the two brackets.</p>
<p>3.</p>  <p>Glide X installation with optional brackets.</p> <p>Position the fitting in the desired location and tilt to one side.</p>	<p>4.</p>  <p>Fix one side of the brackets to the mounting surface.</p>
<p>5.</p>  <p>Rotate the fitting and fix the brackets on the opposite side.</p>	<p>6.</p>  <p>Once secure, position the fitting to the desired angle and then tighten the adjustable bracket on each end.</p>
<p>1. Glide Pixel RGBW/ Glide Pixel White</p> <p>IP66</p>  <p>X 2</p> <p>Remove the two screws that are holding the bracket together.</p>	<p>2.</p>  <p>Position the brackets. Secure these clips in the desired location.</p>

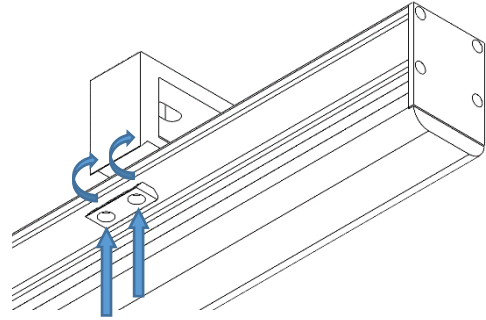
Glide Installation

3.



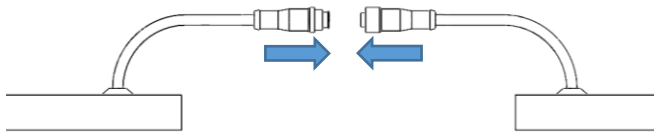
Offer the fitting up to the fixed brackets, and hold in place.

4.



Reinsert the plate that was removed and secure in place using the screws provided.

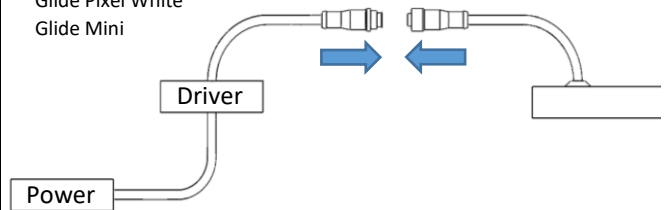
Connection method for Glide range:



Connect to the next fitting in a daisy chain.
Consult supplier regarding maximum number of fixtures allowed to be connected in a daisy chain.

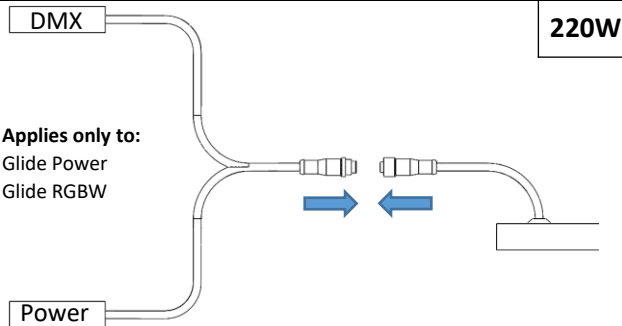
Applies only to:
 Glide X
 Glide Pixel White
 Glide Mini

24V



NON DMX FITTING

Connect the first fitting to the driver. Then connect the driver to the power to complete the installation.

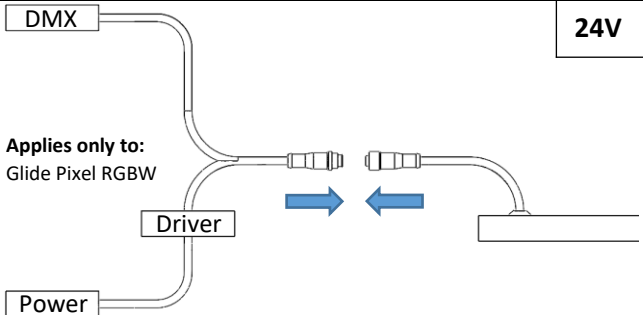


220W

Applies only to:
 Glide Power
 Glide RGBW

DMX FITTING

Connect the first fitting to the power and the DMX controller using the 6 pole cable supplied.



24V

Applies only to:
 Glide Pixel RGBW

DMX FITTING

Connect the first fitting to the driver. Then connect the driver to the power and the DMX controller, using the 4 pole cable supplied.