

230-240V / 50-60Hz

IP65

IK00



**WARNING - THIS LUMINAIRE MUST BE EARTHED**

This luminaire has been tested and is manufactured to comply with BS EN 60598 : specification for general requirements and tests. It should be installed by a suitably qualified person in accordance with IEE.

**CAUTION:** there is a potential risk of electric shock from the LED boards when the product is operational with the cover removed.

**NOTE:** INSTALLATION AND OPERATION OF THE LUMINAIRE BEYOND ITS SCOPE OF SUPPLY WILL INVALIDATE THE WARRANTY.

**Installation**

1. Remove the diffuser from the body by unscrewing the 2No. retaining screws.
2. Release the gear tray by pushing the tabs outwards. Hinge tray away from body.
3. Fix base to wall or ceiling, either direct or via conduit box having drilled the cable entry hole. If IP65 protection is required use an appropriate gland at the cable entry point and ensure mounting points are adequately sealed using grommets and load spreading washers if necessary. Ensure luminaires are mounted to a flat surface to prevent bowing of the housing and that the diffuser is securely fixed forming an IP65 seal at all points.
4. ISOLATE THE A.C. SUPPLY and connect unit.
5. For non-maintained luminaires (NM3) an 'unswitched' 240v A.C. supply must be connected to the 'unswitched live (L), Earth and neutral (N) terminals.
6. For maintained luminaires (M3) a 'switched' live (L1) supply must also be connected as indicated.
7. Refit the gear tray.
8. Refit the diffuser.
9. Power the luminaire and ensure that the green LED indicator lights.
10. Operational check (NM3/ M3) – restore the A.C. Supply for 30mins and then remove.
11. Operational check (ST3) – After a charging period in excess of 24 hours a three hour emergency duration test should be undertaken.

**Specification**

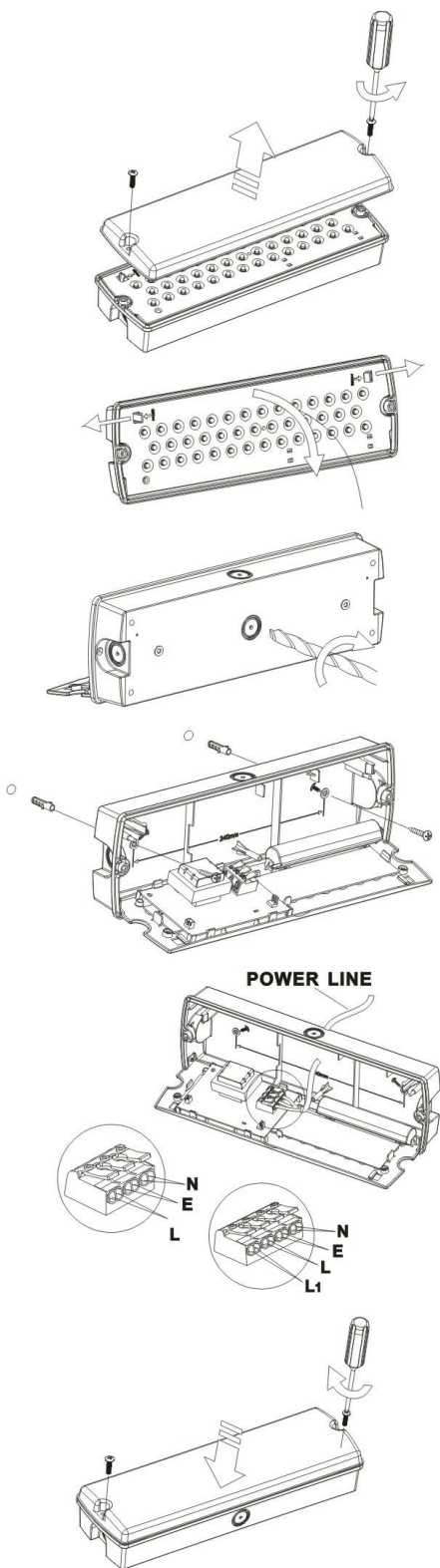
- Operating Temperature Range: 0 to 40°C
- Rated Supply Voltage: 220-240V 50/60Hz
- IP Rating: 65
- Rated Power (NM3): 2W with 0.8 Pfc
- Rated Power (M3): 6.5W with 0.9 Pfc
- Rated Power (ST3): 5.5W
- ST3 Conversion Time: 1 second
- Emergency Lumens (M3 & NM3): 150lm
- Emergency Lumens (ST3 DC): 130lm
- Emergency Lumens (ST3 AC): 200lm
- Emergency Duration: >3 hours
- Battery Recharge Time: 24hrs
- Battery: SC3.6V 1.5Ah NiCd
- Fuse Installed or Replaced (ST3): 1A 250V/ 3.15A 250V

**Monitoring/ Indicator LED Status**

- Green: Normal operation.
- Red flash once every three seconds; Battery failure.
- Red flash twice every three seconds: LED failure.
- Red flash once a second: 3 hour duration not met.

**WARNING**

Battery electrolyte can be harmful to eyes and open wounds. Care must be taken to avoid puncturing the case and allowing electrolyte to escape. If electrolyte touches the skin, flush with water. Do not incinerate batteries.



## AME LED M3/ NM3/ ST3 Installation Leaflet

### Recommended Routine Test Procedure (Operation and maintenance)

The following test is designed to ensure the continued protection of your premises and occupants. Because of the possibility of a failure of the normal lighting supply occurring shortly after a period of testing, all test should whenever possible be undertaken at times of least risk (e.g. during daylight hours).

- **ONCE A DAY**  
Visual inspection of battery charge LED (light emitting diode)
- **ONCE A MONTH**  
Each unit should be energised from its battery for 10 minutes to ensure, by simulation of a failure of the normal lighting supply, the emergency mode is functioning correctly.
- **ONCE EVERY THREE MONTHS**  
Charge the battery once every three months when not in use to maintain battery capacity.
- **ONCE EACH YEAR**  
All units should be placed into emergency mode and checked that the duration provided by the battery meets the specified time period (3 hours).
- Do not cover the luminaire to ensure adequate ventilation.
- Ensure batteries are disposed of in accordance with environmental regulations.
- Batteries are Nickel Cadmium and have a nominal service life of 4 years. Batteries must be replaced with batteries of the same specification by a suitable qualified person. The luminaire must be isolated from the power supply before any maintenance is undertaken.

### FAULT FINDING AND CORRECTIVE ACTION

- **MONITORING LED NOT ILLUMINATED**  
A.C. Supply not healthy. Battery not connected. Charger failed.
- **UNIT NOT MEETING REQUIRED EMERGENCY PERIOD**  
May need cycling. Discharge then recharge for 24hours. Re-test. Battery may need replacing if emergency duration is still not met. Do not incinerate batteries.

### Operation of Emergency Test Switch

In AC input:

Press for 1 second :Timing Restart.

Press for 3 seconds :LEDs on, Auto test for 5 minutes.



SW 1

### Routine Test Record

		First Year		Second Year		Third Year		Fourth Year		Fifth Year	
		Signed	Date	Signed	Date	Signed	Date	Signed	Date	Signed	Date
1	Function										
2	Function										
3	Function										
4	Function										
5	Function										
6	Function										
7	Function										
8	Function										
9	Function										
10	Function										
11	Function										
12	Function										

#### Eventually, you may want to replace this fitting:

When your fitting and or battery pack come to the end of their life or you choose to update or upgrade the fitting by replacing it, please do not dispose of it with your normal household waste, please recycle where facilities exist. When you need to dispose of this fitting, check with your retailer or local authority for suitable options. New regulations will encourage the recycling of waste from Electrical and Electronic Equipment (European "WEEE Directive" effective August 2005).

