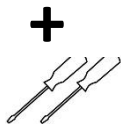


230-240V / 50-60Hz

IP30

IK7



**WARNING - THIS LUMINAIRE MUST BE EARTHED**

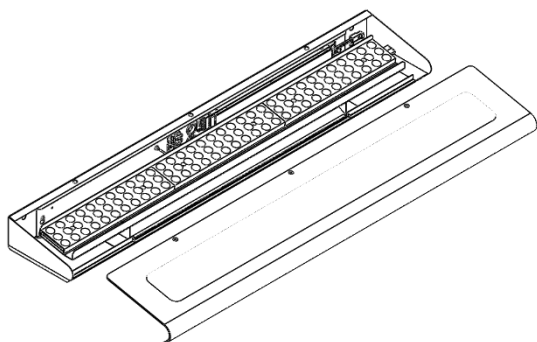
This luminaire has been tested and is manufactured to comply with BS EN 60598 : specification for general requirements and tests. It should be installed by a suitably qualified person in accordance with IEE.

**CAUTION:** there is a potential risk of electric shock from the LED boards when the product is operational with the cover removed.

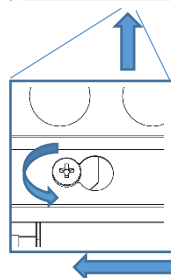
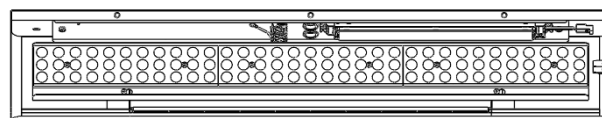
**NOTE:** INSTALLATION AND OPERATION OF THE LUMINAIRE BEYOND ITS SCOPE OF SUPPLY WILL INVALIDATE THE WARRANTY.

DIL-0297-0002

**1.** The luminaire will be supplied in 2 sections with securing rivets bagged separately.

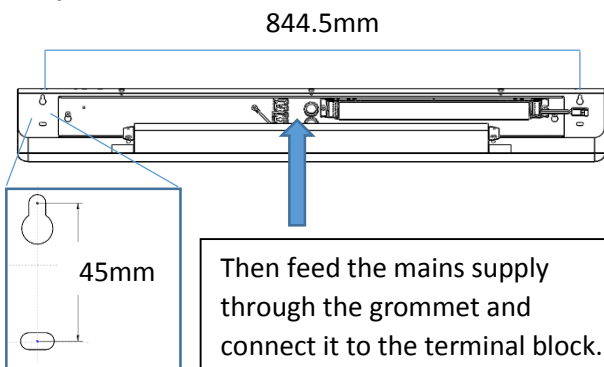


**2.** First remove up light gear tray from the main housing.



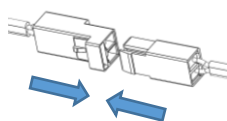
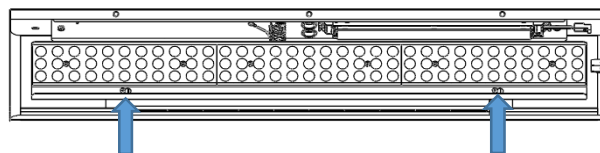
Loosen the 2 screws then slide the tray off of the key slots.

**3.** Screw the fitting to the wall using all 4 fixing locations. This will ensure fitting is secure to the wall.



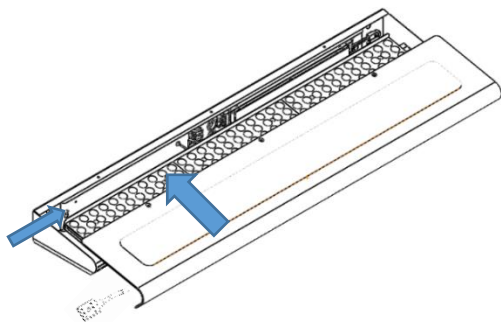
Then feed the mains supply through the grommet and connect it to the terminal block.

**4.** Once secured to the wall, re attach the up light gear tray. (opposite of step 2)



Then connect the tray to the driver using the plug and socket connectors.

**5.** Connect the covers **EARTH LEAD** to the housing then slide the top cover onto the housing.



**6.** Secure the top cover to the housing using the 3 push rivets supplied. Installation is now complete.

