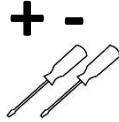


Opus Wall Installation

230-240V / 50-60Hz

IP65

IK10



WARNING - THIS LUMINAIRE MUST BE EARTHED

This luminaire has been tested and is manufactured to comply with BS EN 60598: specification for general requirements and tests. It should be installed by a suitably qualified person in accordance with IEE.

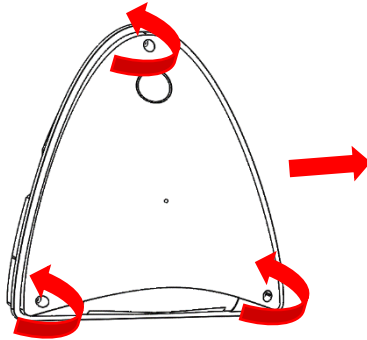
CAUTION: there is a potential risk of electric shock from the LED boards when the product is operational with the cover removed.

NOTE: INSTALLATION AND OPERATION OF THE LUMINAIRE BEYOND ITS SCOPE OF SUPPLY WILL INVALIDATE THE WARRANTY.

DIL-0294-0001

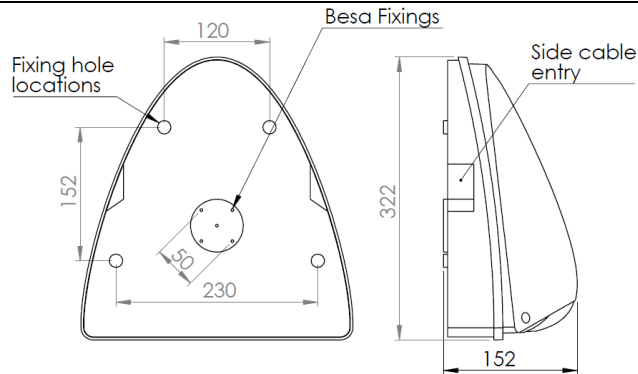
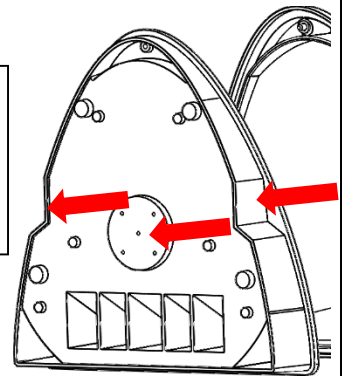
1.

Loosen off the 3 screws to remove cover.



2.

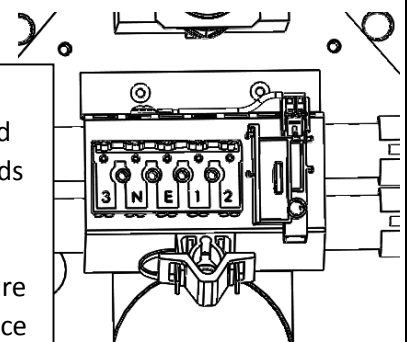
Fitting suitable for multiple mounting methods/cable entry points – drill to suit.



Mark out & prepare wall as required.

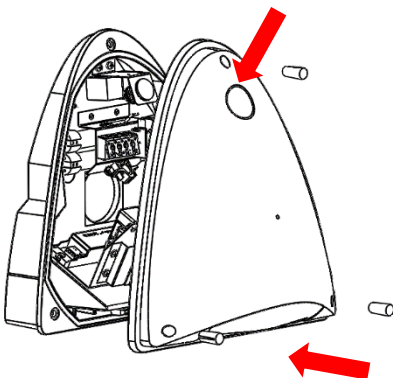
3.

After mounting the fitting to the wall and installing any IP glands necessary, wire into the appropriate terminals, making sure to clamp them in place with the wire clamp provided.



4.

Photocell



Ensuring all holes drill have been sealed to IP65, refit cover and fasten the screws. Fit cover caps in each hole in the orientation if the keys.

NOTES:

- Full IP ratings only apply when luminaire is mounted with the photocell at the top.
- It is the responsibility of the installer to ensure the IP ratings are maintained during installation of the fitting.
- This luminaire is only suitable for domestic, light industrial and industrial environments which are within the scope of EN 55015.
- Not for use in hazardous areas, areas of excessive heat or where airborne fatty substances may be present.
- Operating temperature is 0°C to 25°C. If the temperature exceeds the drivers maximum TA there is a safety mechanism where the driver will either dim or switch off to allow it to cool.