

230-240V / 50-60Hz

IP20

IK00



WARNING - THIS LUMINAIRE MUST BE EARTHED

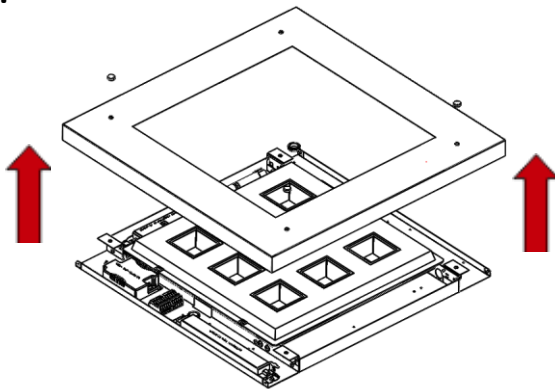
This luminaire has been tested and is manufactured to comply with BS EN 60598 : specification for general requirements and tests. It should be installed by a suitably qualified person in accordance with IEE.

CAUTION: there is a potential risk of electric shock from the LED boards when the product is operational with the cover removed.

NOTE: INSTALLATION AND OPERATION OF THE LUMINAIRE BEYOND ITS SCOPE OF SUPPLY WILL INVALIDATE THE WARRANTY.

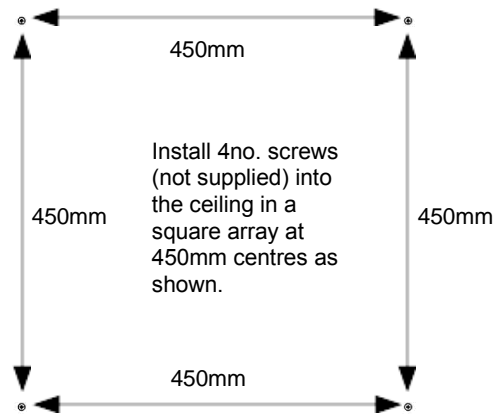
DIL-0282-0001

1.

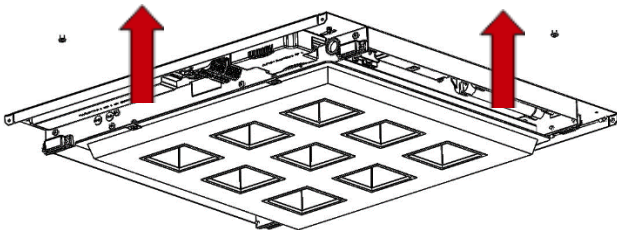


Remove screws and release frame from fitting.

2.



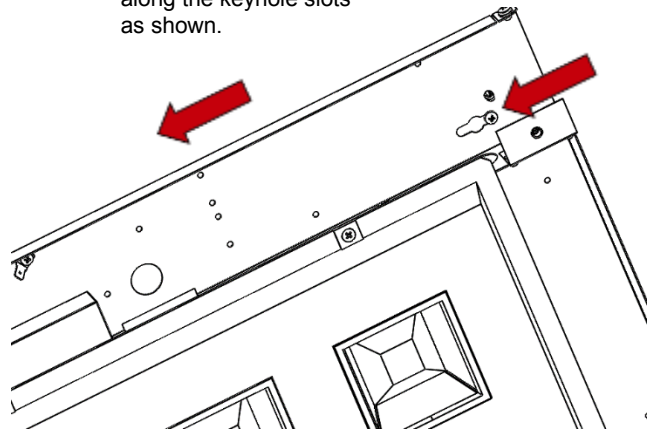
3.



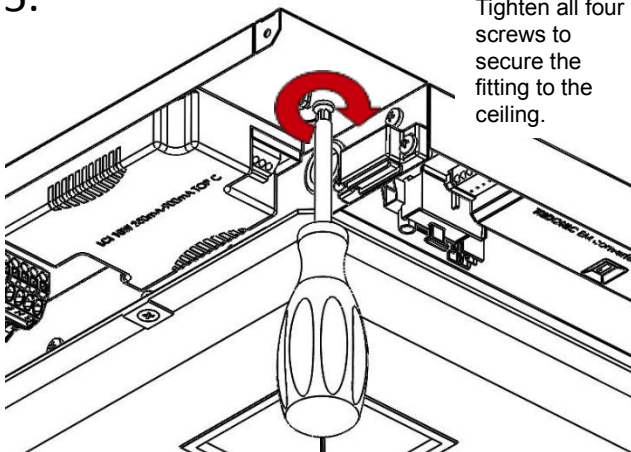
Lift fitting up onto the 4no. Screws. Four keyhole slots in the rear of the fitting should align with the screws.

4.

Slide fitting to one side along the keyhole slots as shown.



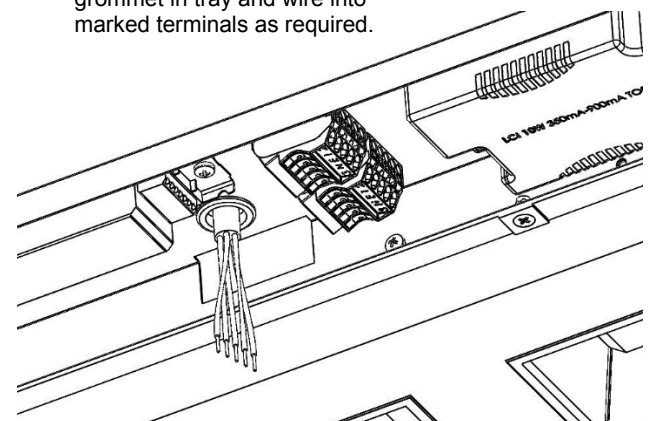
5.

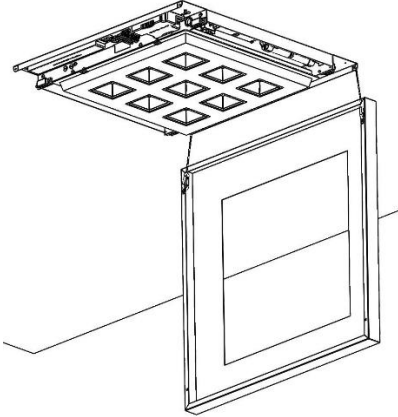
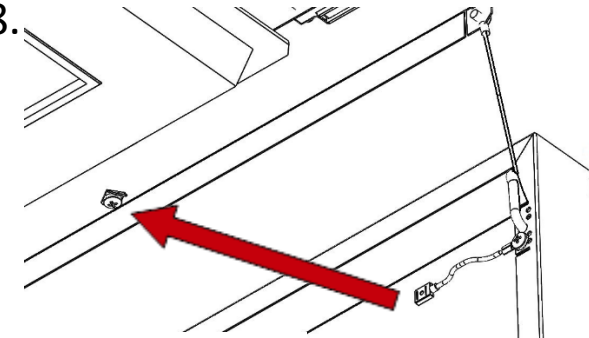
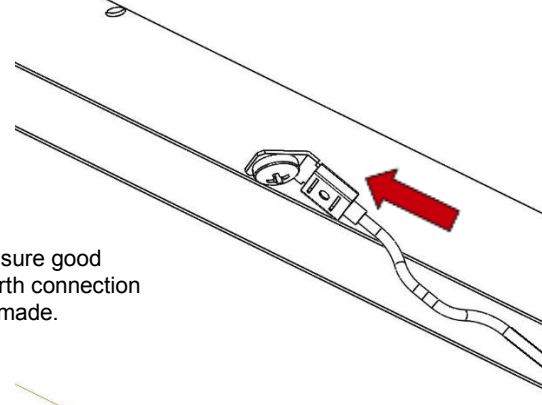
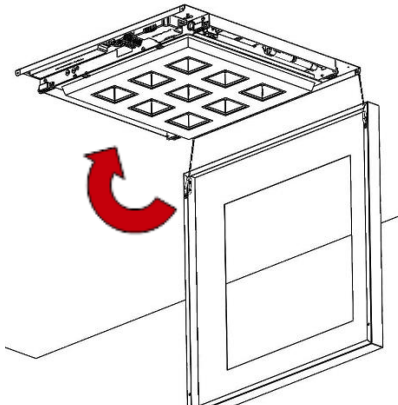
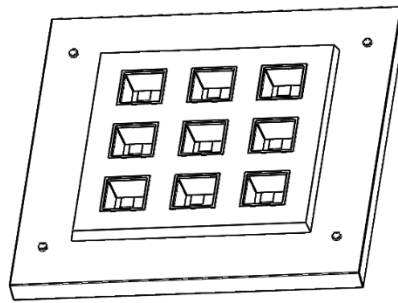


Tighten all four screws to secure the fitting to the ceiling.

6.

Feed mains cable(s) through grommet in tray and wire into marked terminals as required.



<p>7.</p>  <p>Attach the frame to the tethers and allow to hang as shown.</p>	<p>8.</p>  <p>Attach the earth cable from the frame to the tag shown on the main tray</p>
<p>9.</p>  <p>Ensure good earth connection is made.</p>	<p>10.</p>  <p>Lift frame up until flush and ensure there are no cables or tethers caught when doing so.</p>
<p>11.</p>  <p>Ensure the frame is sitting square and fasten all four screws, then close all cover caps</p>	<p>12.</p>
<p>13.</p>	<p>14.</p>