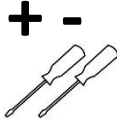


230-240V / 50-60Hz

IP20

IK00



WARNING - THIS LUMINAIRE MUST BE EARTHED

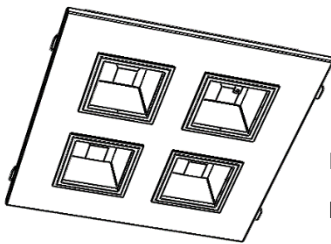
This luminaire has been tested and is manufactured to comply with BS EN 60598: specification for general requirements and tests. It should be installed by a suitably qualified person in accordance with IEE.

CAUTION: there is a potential risk of electric shock from the LED boards when the product is operational with the cover removed.

NOTE: INSTALLATION AND OPERATION OF THE LUMINAIRE BEYOND ITS SCOPE OF SUPPLY WILL INVALIDATE THE WARRANTY.

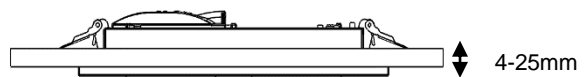
DIL-0275-0002

1. RBXPFL (Pull Up)



RBXPFL cut out;
Minimum: 225x275mm
Maximum: 285x285

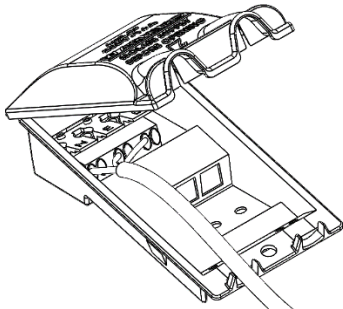
2.



Ceiling thickness 4-25mm

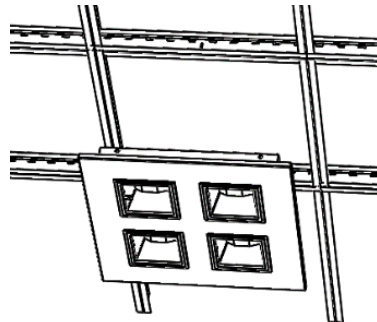
(Note – Use patress if fitting into a fibre tile)

3.



Electrical connection is made via integrated connection back-flap – allows for LEN L1 (emergency) and D1/D2 <or +/- for 1-10v> where specified.

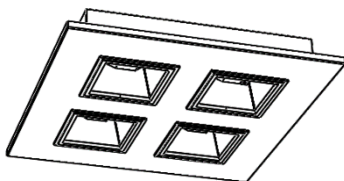
4.



Lift Springs and fitting into cut out, the springs will then close and hold the fitting in position.

5.

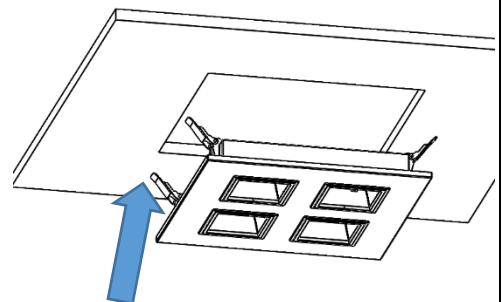
RBXRFL (Lay-In)



Fitting is supplied as one-piece unit.
295X295mm to rest on 15/24mm exposed T bar

6.

Make electrical connection as per item 3.



Carefully lift and tilt the luminaire into the ceiling aperture. Fitting will self-locate on grid.