

Rubix Flush (RBXRFL / RBXPFL)

230-240V / 50-60Hz

IP20

IK00



WARNING - THIS LUMINAIRE MUST BE EARTHED

This luminaire has been tested and is manufactured to comply with BS EN 60598 : specification for general requirements and tests. It should be installed by a suitably qualified person in accordance with IEE.

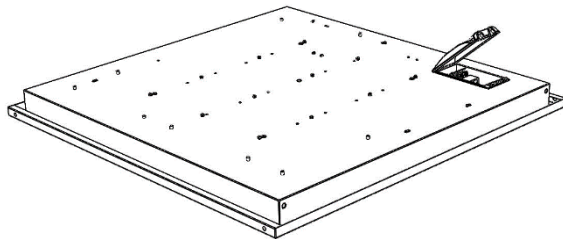
CAUTION: there is a potential risk of electric shock from the LED boards when the product is operational with the cover removed.

NOTE: INSTALLATION AND OPERATION OF THE LUMINAIRE BEYOND ITS SCOPE OF SUPPLY WILL INVALIDATE THE WARRANTY.

DIL-0275-0001

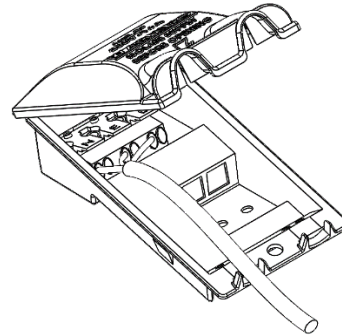
1.

RBXRFL (Lay-In)



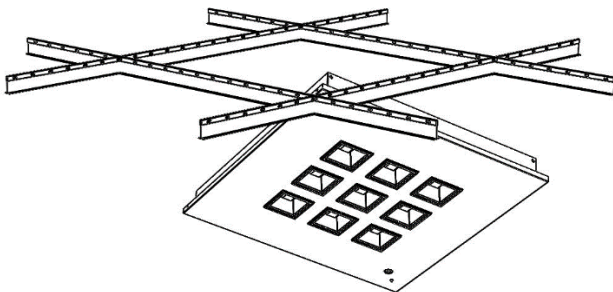
Fitting is supplied as one-piece unit.
595X595mm to rest on 15/24mm exposed T bar

2.



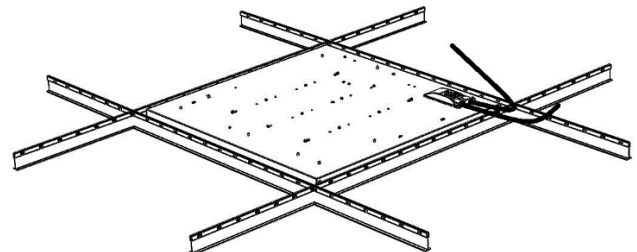
Electrical connection is made via integrated connection back-flap – allows for LEN L1 (emergency) and D1/D2 <or +/- for 1-10v> where specified.

3.



Carefully lift and tilt the luminaire into the ceiling aperture. Fitting will self-locate on grid

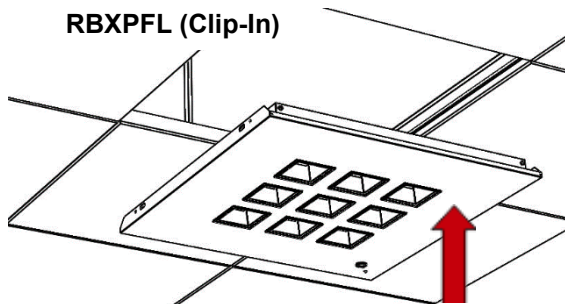
4.



Fitting installed (shown here with loop-in / loop-out cables)

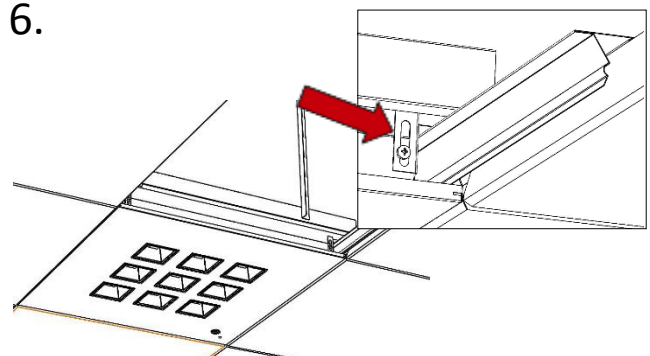
5.

RBXPFL (Clip-In)



For a clip-in version, offer fitting to ceiling aperture as per tiles – ensure sides with dimples are aligned with clip-in grids. Force fitting to click to grids

6.



As a secondary fix, remove adjacent ceiling tile(s) and secure supplied brackets in each corner of fitting