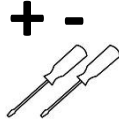


230-240V / 50-60Hz
IP20
IK00



WARNING - THIS LUMINAIRE MUST BE EARTHED

This luminaire has been tested and is manufactured to comply with BS EN 60598 : specification for general requirements and tests. It should be installed by a suitably qualified person in accordance with IEE.

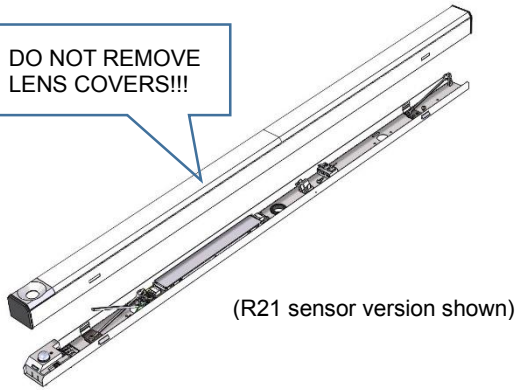
CAUTION: there is a potential risk of electric shock from the LED boards when the product is operational with the cover removed.

NOTE: INSTALLATION AND OPERATION OF THE LUMINAIRE BEYOND ITS SCOPE OF SUPPLY WILL INVALIDATE THE WARRANTY.

DIL-0238-0004

1.

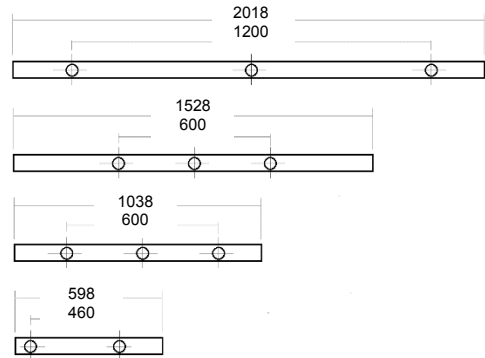
DO NOT REMOVE LENS COVERS!!!



(R21 sensor version shown)

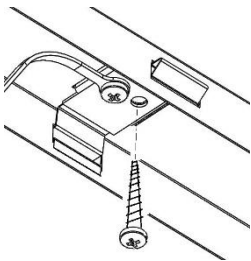
Product is supplied as 2 separate units – LED unit and gear tray (remove x2 cardboard inserts)

2.

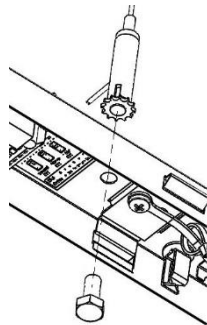


Cable entry through central hole – except 598mm version (left hole)

3.

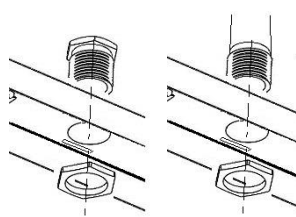


For direct fixing for surface mounting, fix screw(s) through free hole in spring clip (screws not supplied)

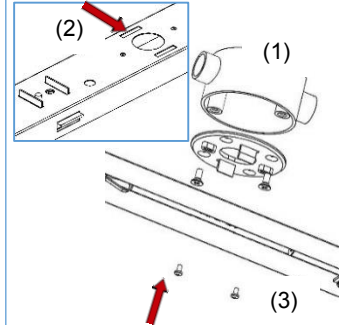


For suspending on wire / chain, or on M6 Britclip, use free 6.5mm holes adjacent to spring clip.

4.

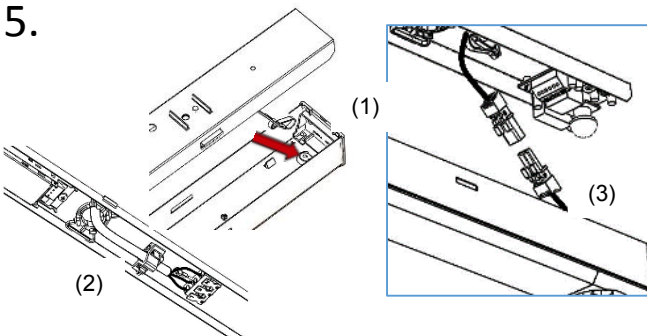


For trunking mounting or 20mm drop conduit, use 20mm holes in tray – secure with thin lock nut (not supplied)



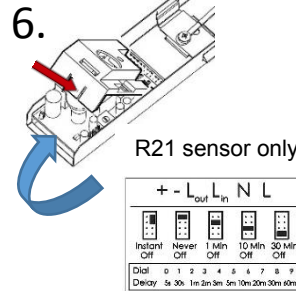
For Besa box mounting the DPL BESA kit accessory must be used. (1) Fit plate to surface box (2) Snap-fit spine to plates (3) Fit x2 screws to secure in place

5.

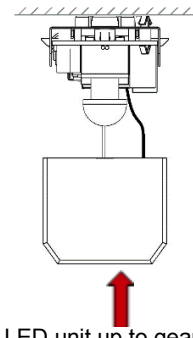


- 1) Attach tethers between LED unit and gear tray
- 2) Pass mains cable through central hole & clamp – connect!
- 3) Connect electrical cable between LED unit and tray

6.



To adjust jumper setting it is necessary to remove safety cover (1)...note position in label above. Replace cover when set.



Offer LED unit up to gear tray - align carefully....ensure all catches are engaged in slots! Test for operation