

## ILN Continuous Suspended Installation

230-240V / 50-60Hz

IP20

IK00



### WARNING - THIS LUMINAIRE MUST BE EARTHED

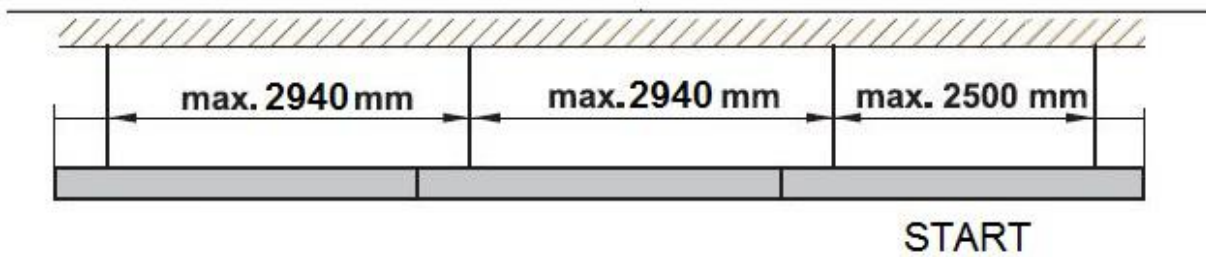
This luminaire has been tested and is manufactured to comply with BS EN 60598 : specification for general requirements and tests. It should be installed by a suitably qualified person in accordance with IEE.

**CAUTION:** there is a potential risk of electric shock from the LED boards when the product is operational with the cover removed.

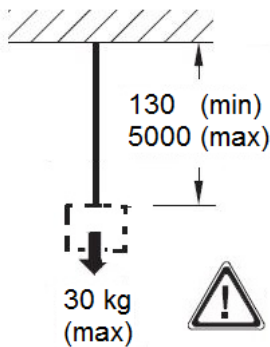
**NOTE:** INSTALLATION AND OPERATION OF THE LUMINAIRE BEYOND ITS SCOPE OF SUPPLY WILL INVALIDATE THE WARRANTY.

DIL-0238-0003

1a.

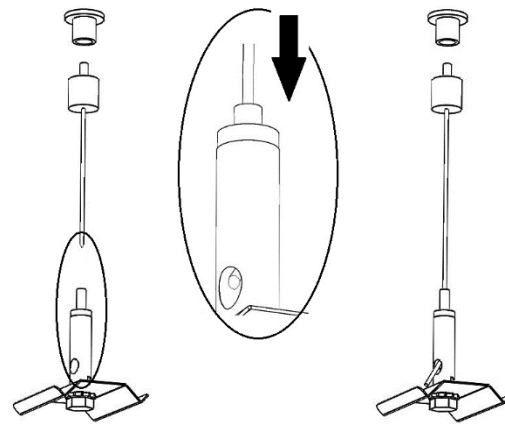


1b.

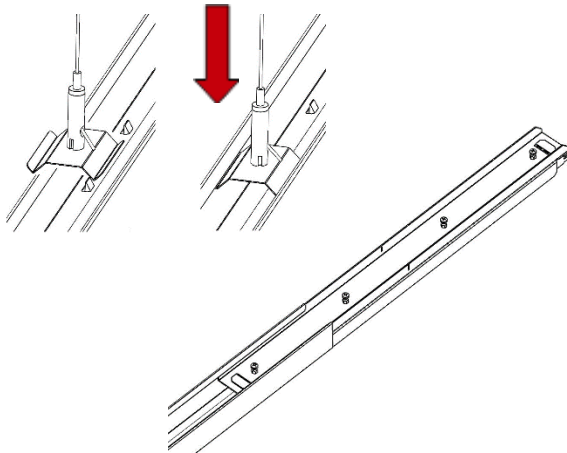


**WARNING – DO NOT MOUNT CLOSER THAN THE MINIMUM 130mm – FAILURE TO ADHERE TO THIS WILL VOID PRODUCT WARRANTY**

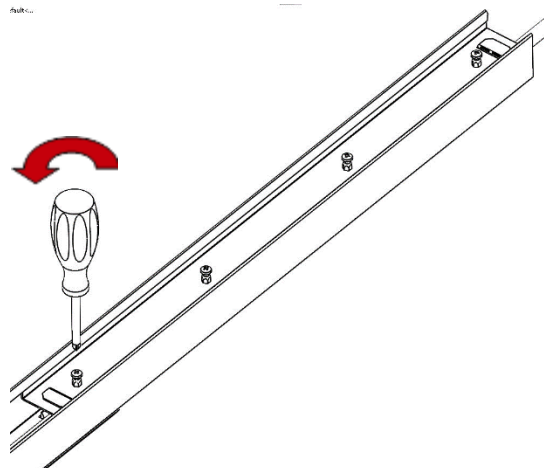
2.



3.



4.



**ILN Continuous Suspended Installation**

