

230-240V / 50-60Hz
IP20
IK00



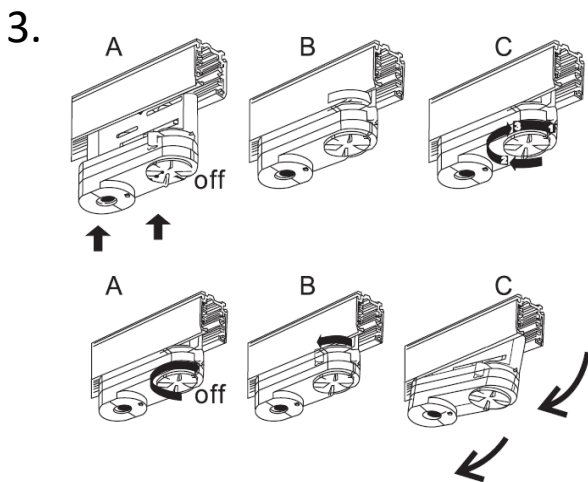
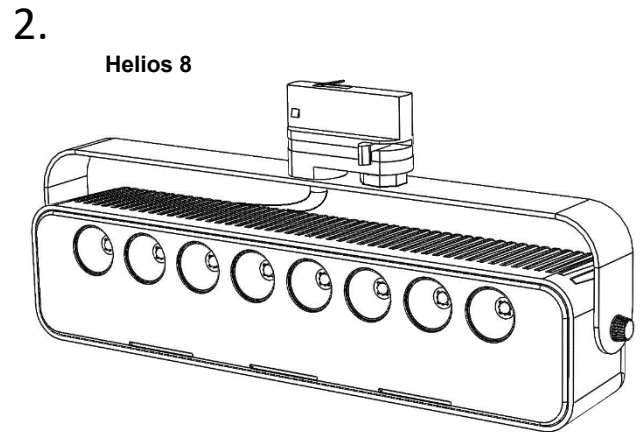
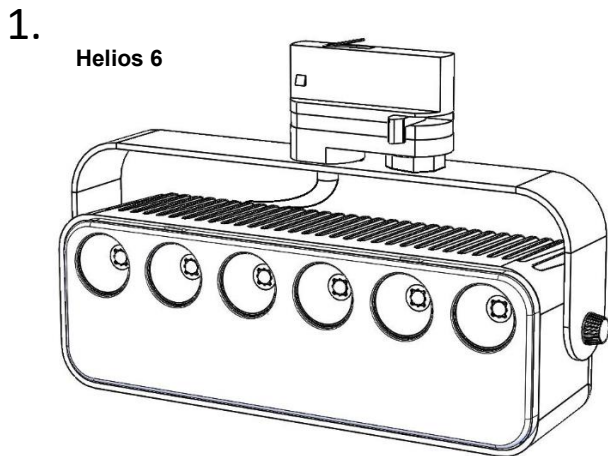
WARNING - THIS LUMINAIRE MUST BE EARTHED

This luminaire has been tested and is manufactured to comply with BS EN 60598 : specification for general requirements and tests. It should be installed by a suitably qualified person in accordance with IEE.

CAUTION: there is a potential risk of electric shock from the LED boards when the product is operational with the cover removed.

NOTE: INSTALLATION AND OPERATION OF THE LUMINAIRE BEYOND ITS SCOPE OF SUPPLY WILL INVALIDATE THE WARRANTY.

DIL-0179-0003



4.

3 Circuit Adaptor:
Connect three circuit track adaptor as per diagrams shown to the left

- 1) Ensure the selector dial is turned to the off position.
- 2) Set the locking lever to the side
- 3) Engage the adaptor into the track with the guide lug.
- 4) Turn the lever towards the front until it locks correctly with the track system.
- 5) Select the circuit by turning the selector dial to 1, 2 or 3.
- 6) Remove the adaptor by reversing the above process.

5. Maximum permissible loads:
Universal 3 circuit track adaptor: Maximum weight 10kg.
1M track length: Maximum load 60Kg
3M track length: Maximum load 90Kg
Loads should be evenly distributed across the length of track

- Universal track system suitable for 3 circuit, 230 / 240 Volt, 16 Amp. This system is not suitable for inductive loads.
- Please ensure that all elements of the track system have been correctly assembled, starts and ends must always have the appropriate components to ensure that the run is correctly finished and live conductors are not exposed. Do not exceed maximum loads or allow connection points to be subjected to twisting forces.
- It is the installer's duty to ensure electrical, mechanical and thermal compatibility between the track system and any devices attached to it.
- The universal 3 circuit adaptor supplied with the High Track luminaire is only suitable for use with the track system specified.
- Track system is only suitable for surface mount or suspension via a rigid drop rod.