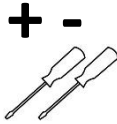


230-240V / 50-60Hz

IP20

IK00



WARNING - THIS LUMINAIRE MUST BE EARTHED

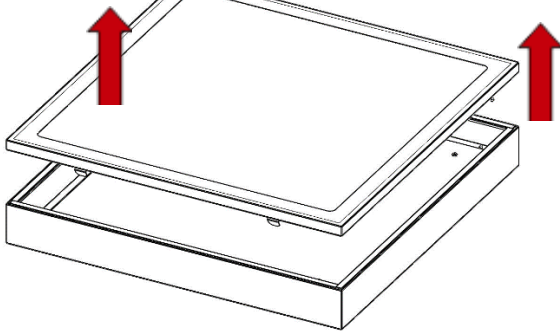
This luminaire has been tested and is manufactured to comply with BS EN 60598 : specification for general requirements and tests. It should be installed by a suitably qualified person in accordance with IEE.

CAUTION: there is a potential risk of electric shock from the LED boards when the product is operational with the cover removed.

NOTE: INSTALLATION AND OPERATION OF THE LUMINAIRE BEYOND ITS SCOPE OF SUPPLY WILL INVALIDATE THE WARRANTY.

DIL-0169-0002

1.

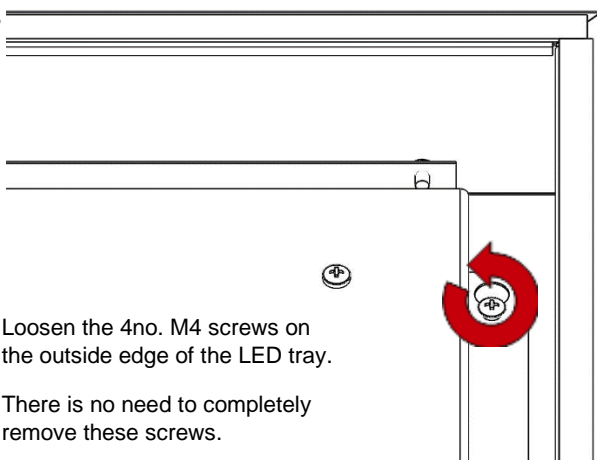


Unpack luminaire and carefully remove the frame from the main body. There are 4no. leaf springs attached to the frame.

2.

The luminaire is packed with the frame springs engaged in the main body. The frame has 2no. tethers inside that are not be attached to the tray for ease of initial installation. These will be connected later on.

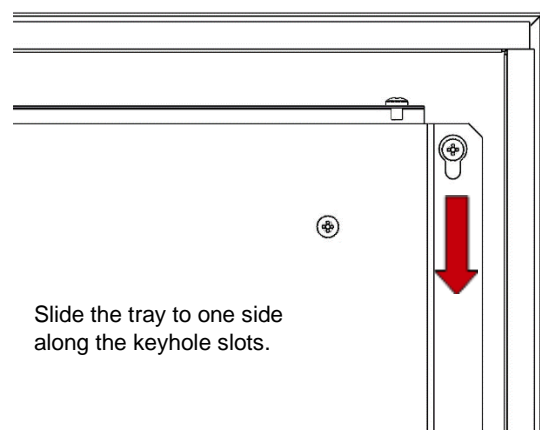
3.



Loosen the 4no. M4 screws on the outside edge of the LED tray.

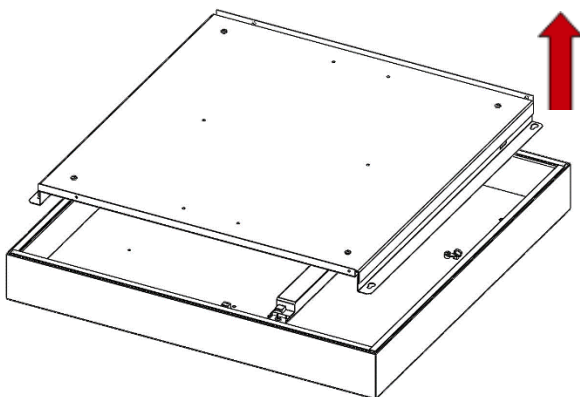
There is no need to completely remove these screws.

4.



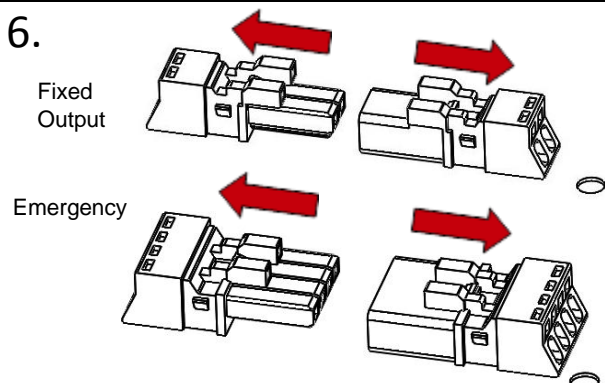
Slide the tray to one side along the keyhole slots.

5.

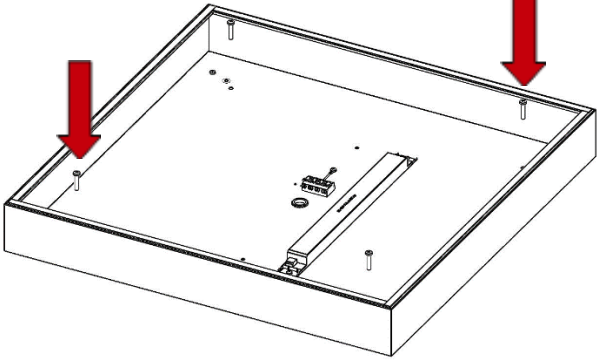
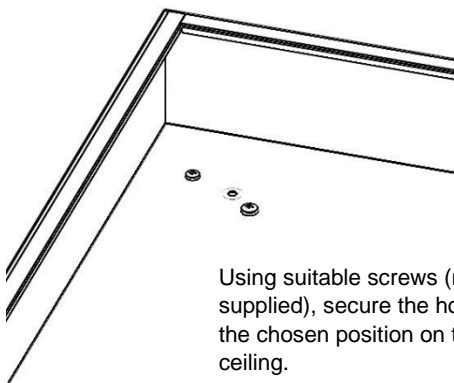
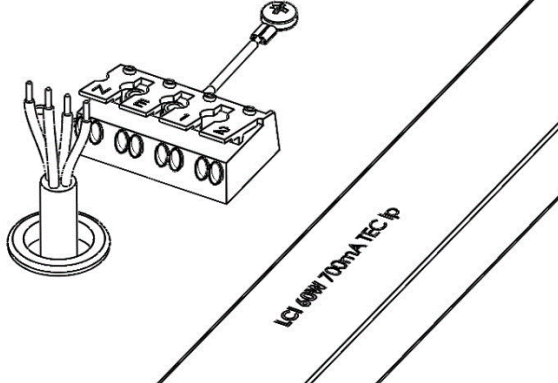
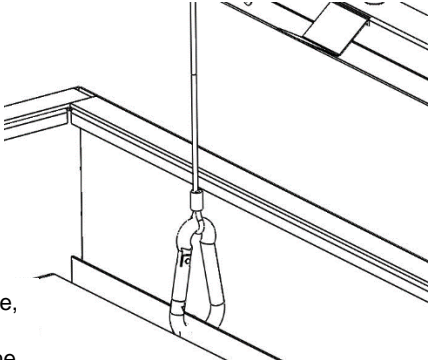
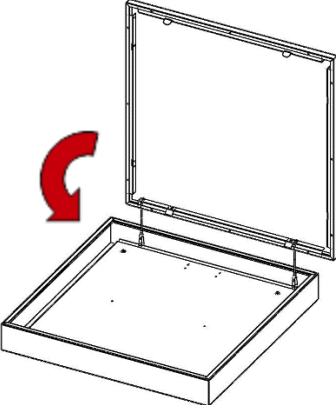
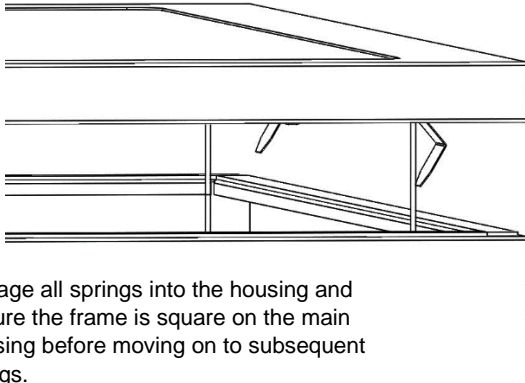


Partially lift the tray from the housing.

6.



NOTE: There is a plug and socket connection between the main housing and the LED tray that must be disconnected before fully removing the tray

<p>7.</p> 	<p>8.</p>  <p>Using suitable screws (not supplied), secure the housing to the chosen position on the ceiling.</p>
<p>9.</p> 	<p>10.</p> <p>Feed the mains cable in through the grommets hole in the rear of the housing. Wire into the marked terminals as required.</p> <p>NOTE: Side cable entries are available upon special request.</p>
<p>11.</p> <p>To replace the tray, reverse steps 3 – 6 ensuring the plug and socket is reconnected in step 6.</p>	<p>12.</p>  <p>To replace the frame, attach the 2no. Karabiner clips to the holes in the gear tray</p>
<p>13.</p> <p>Swing the frame up on to the main housing. The frame tethers should be at an angle to ensure they do not cover the LED board.</p> 	<p>14.</p>  <p>Engage all springs into the housing and ensure the frame is square on the main housing before moving on to subsequent fittings.</p>