

230-240V / 50-60Hz  
IP20



**WARNING - THIS LUMINAIRE MUST BE EARTHED**

This luminaire has been tested and is manufactured to comply with BS EN 60598 : specification for general requirements and tests. It should be installed by a suitably qualified person in accordance with IEE.

**CAUTION:** there is a potential risk of electric shock from the LED boards when the product is operational with the cover removed.

**NOTE:** INSTALLATION AND OPERATION OF THE LUMINAIRE BEYOND ITS SCOPE OF SUPPLY WILL INVALIDATE THE WARRANTY.

DIL-0167-0001

**1. SUSPENDED INSTALLATION**

Locate the 4no. suspension holes in the rear of the housing and feed the toggles through the holes provided.

**2.**

Carabina clip  
Hook end 5 metre Suspension wire

**3.**

Gently pull the screwdrivers towards the outside of the fitting to release the internal clips.

**4.**

Allow central cover to hang on tether to access the terminal connectors.

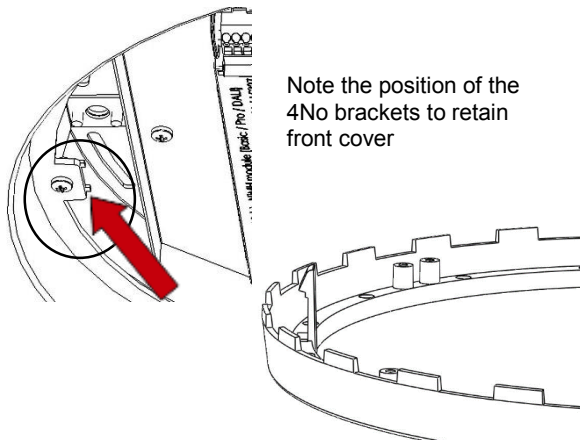
**5.**

Feed suitable mains cable through grommet in rear of housing.

**6.**

Wire mains cable into the respective terminals. All terminals are labelled for convenience. Ensure cable is clamped using the cable clamp provided.

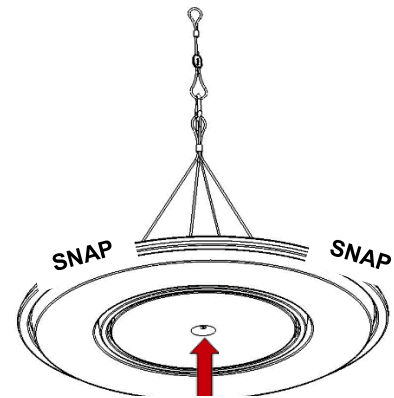
7.



8.

Cover should click in to place.

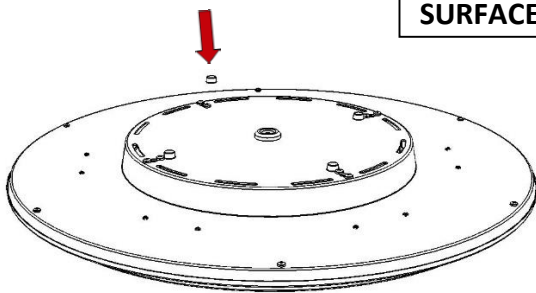
**NOTE:**  
If emergency, ensure indicator LED is secure in front cover.



9.

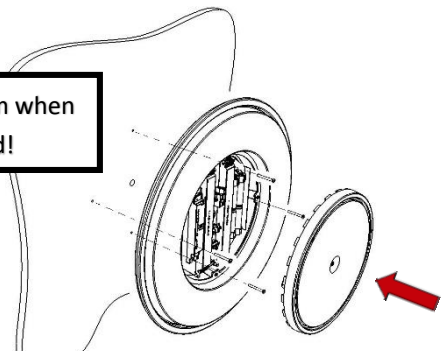
10.

### SURFACE INSTALLATION



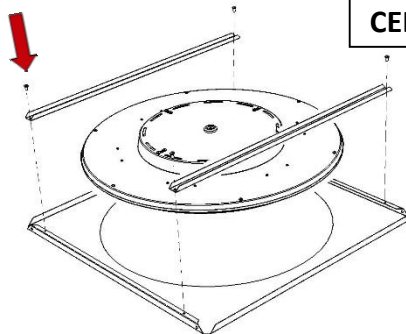
Prior to installation, apply 4No self-adhesive Stand-Off feet supplied – locate where shown, close to fixing holes.

Max 12,000lm when wall-mounted!

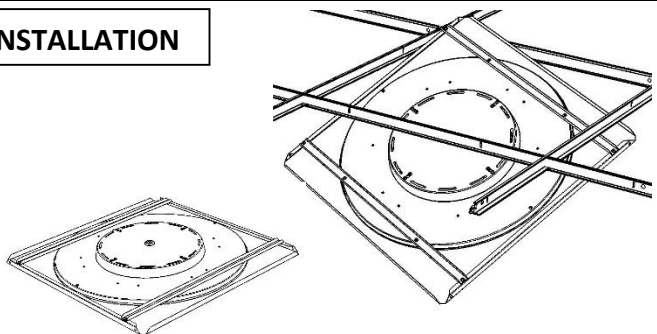


Mark out & prepare wall / ceiling. Feed cable through central hole & connect as image 5. Secure fitting with 4No screws (not supplied). Re-fit cover.

### CEILING TILE INSTALLATION



Fit luminaire to tile – secure by placing rails over the back and screwing 4No self-tap screws (supplied) to tile edge.



Once assembled, offer the complete fitting in to ceiling void and rest directly on to exposed T bars. Feed cable through central hole & connect as image 5. Re-fit cover.

