

# Multi-Line Suspended System

230-240V / 50-60Hz  
IP20  
IK00



**WARNING - THIS LUMINAIRE MUST BE EARTHED**

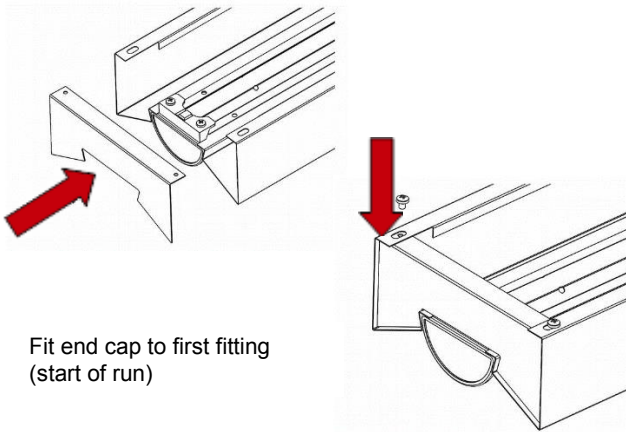
This luminaire has been tested and is manufactured to comply with BS EN 60598 : specification for general requirements and tests. It should be installed by a suitably qualified person in accordance with IEE.

**CAUTION:** there is a potential risk of electric shock from the LED boards when the product is operational with the cover removed.

**NOTE:** INSTALLATION AND OPERATION OF THE LUMINAIRE BEYOND ITS SCOPE OF SUPPLY WILL INVALIDATE THE WARRANTY.

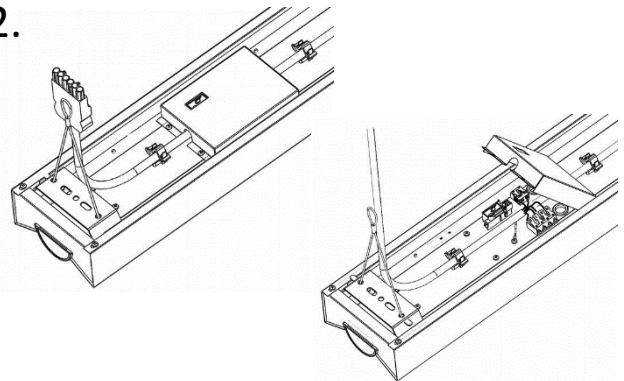
DIL-0155-0001

1.



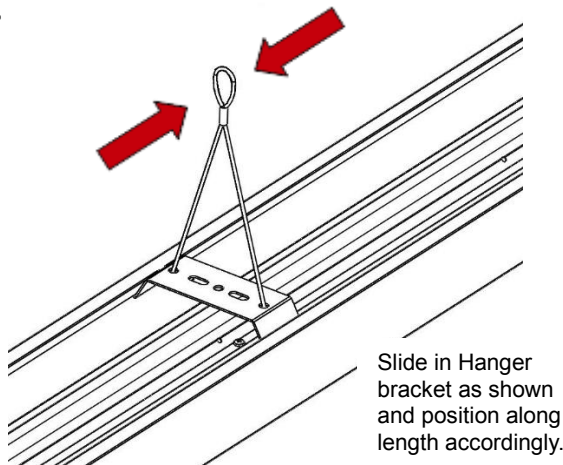
Fit end cap to first fitting (start of run)

2.



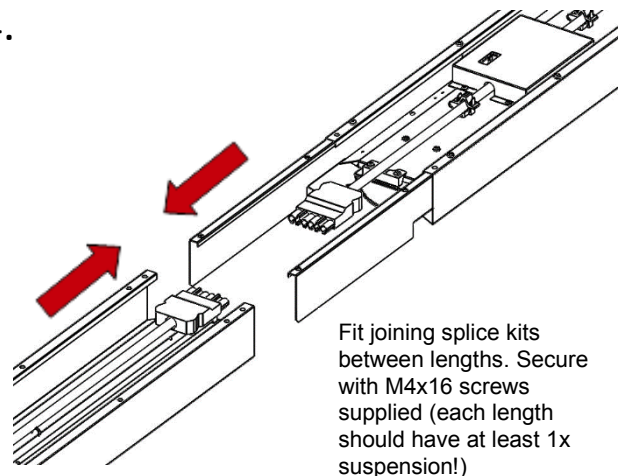
Suspend from first hanger bracket – feed in electrical supply either via connector or (b) rewire into terminal block.

3.



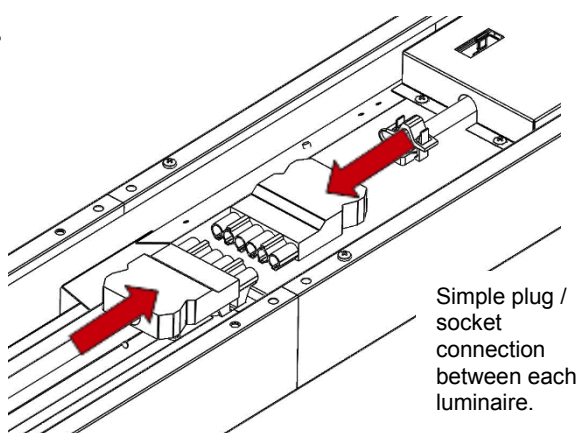
Slide in Hanger bracket as shown and position along length accordingly.

4.



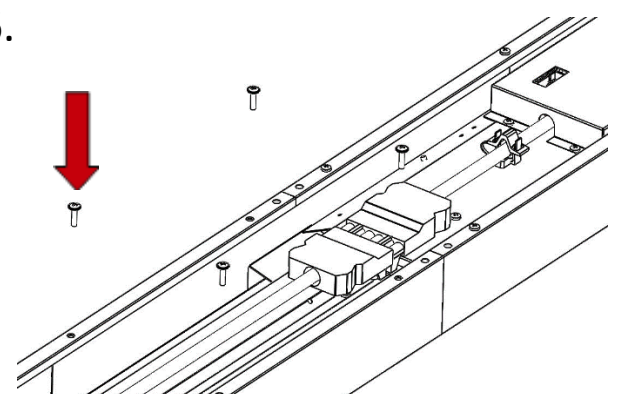
Fit joining splice kits between lengths. Secure with M4x16 screws supplied (each length should have at least 1x suspension!)

5.



Simple plug / socket connection between each luminaire.

6.



Use M4x16 screws to secure joining brackets