

220-240V / 50-60Hz
IP20

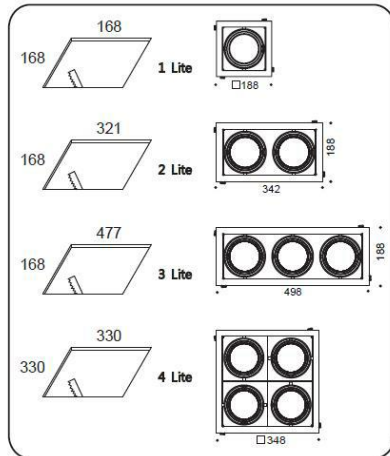


Terminal Labelling:	
Power	
L1	Switched Live
E	Earth
N	Neutral
Emergency	
L2	Unswitched Live
DA/AT3	DALI Autotest
DA/AT3	DALI Autotest
Dimming	
-D1/DA	Analogue/DSI/DALI
+D2/DA	Analogue/DSI/DALI
L3	Switch Dim / Corridor Function

WARNING: Luminaire must be earthed. Risk of electric shock from LED boards if operated with cover removed. Installation / operation outside of luminaires intended scope invalidates warranty. Suitable only for domestic / light industrial / industrial applications within the scope of EN55015. Tested to compliance with BSEN 60598: specification for general requirements and tests. Must be installed by a suitably qualified person in accordance with all relevant legislation. Ambient operating temperature of 0°C to 25°C. If maximum operating temperature is exceeded luminaire will automatically dim / switch off. Terminal blocks are rated to 16A unless stated otherwise. The light source is non replaceable. **LUMINAIRES WITH EMERGENCY PACK:** When supply is isolated battery output terminals may be live if battery is connected. Isolate mains and battery before servicing. Emergency luminaires require unswitched live connection taken from same phase as switched supply. When unswitched supply is connected status indicator illuminates green, when unswitched supply is disconnected indicator extinguishes and luminaire operates in emergency mode. 24 hour charge period required before undertaking full discharge test. Emergency test sheets provided should be used to record all emergency tests. Batteries should be replaced when 3 hour duration is not met. Excessive switching of permanent live may result in premature battery failure. Battery electrolyte can be harmful to eyes / open wounds, do not puncture, if electrolyte touches skin / eyes flush with water. Do not incinerate batteries.

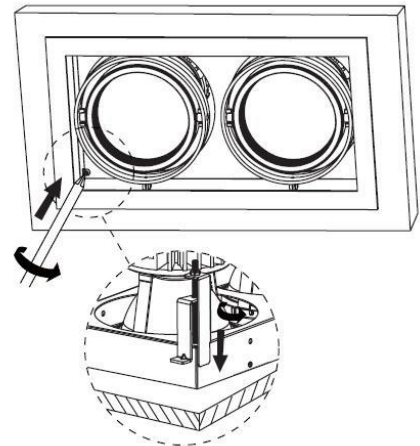
1.

Refer to image opposite for cutout sizes depending on fitting type...

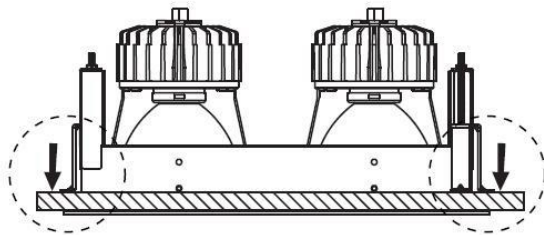


2.

Install fitting in to aperture. Position the trim of the fitting so that it is on the underside of the ceiling.

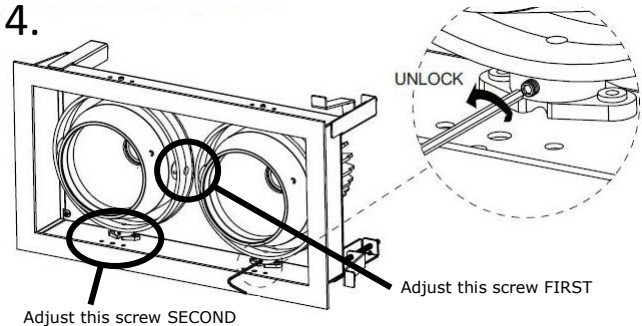


3.



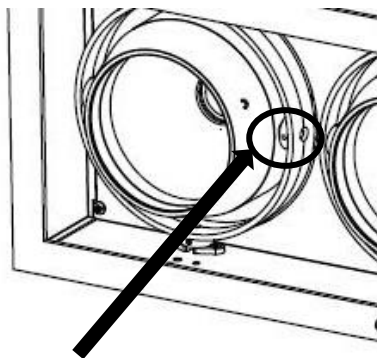
To move the four fixing arms in to position take a screw driver and in turn rotate each screw clockwise until each bracket meets the ceiling.

4.



For each head: With 1.5mm Allen key slacken off the grub screws by rotating anticlockwise, this will allow the downlighter to be tilted in to the required position. Once in position tighten the screws to hold the downlighter in place.

5.



If the head feels a bit loose double check the grub screws and also check the side screw (Philips No.1 head) is tight.

6.

NOTES:

1. This luminaire should not be used in areas requiring ingress protection greater than stated in our literature or catalogue.
2. Not for use in hazardous areas
3. This fitting is only suitable for environments which are within the scope of EN55015.
4. Internal use only.
5. For LED there are no serviceable parts other than the battery (for emergency fittings). No lamp changes are required with LED products.