

230-240V / 50-60Hz  
IP20  
IK00



**WARNING - THIS LUMINAIRE MUST BE EARTHED**

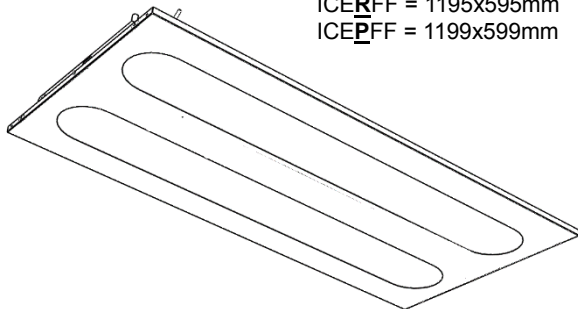
This luminaire has been tested and is manufactured to comply with BS EN 60598 : specification for general requirements and tests. It should be installed by a suitably qualified person in accordance with IEE.

**CAUTION:** there is a potential risk of electric shock from the LED boards when the product is operational with the cover removed.

**NOTE:** INSTALLATION AND OPERATION OF THE LUMINAIRE BEYOND ITS SCOPE OF SUPPLY WILL INVALIDATE THE WARRANTY.

DIL-0123-0001

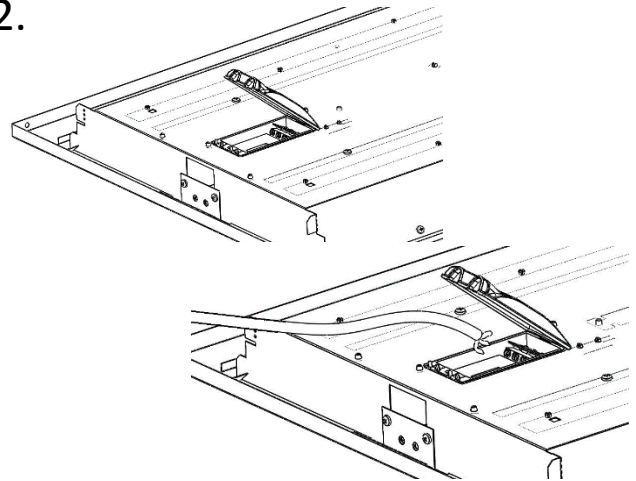
1.



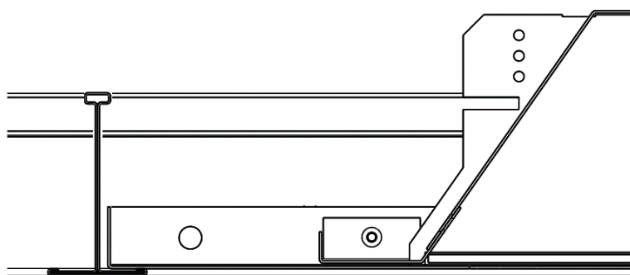
ICERFF = 1195x595mm  
ICEPFF = 1199x599mm

ICEP version is designed to clip in to grids in the same way as the tiles. Central spring clip is secondary fix. Once in, the 4 tabs should be bent through 90 degrees on to grids.

2.

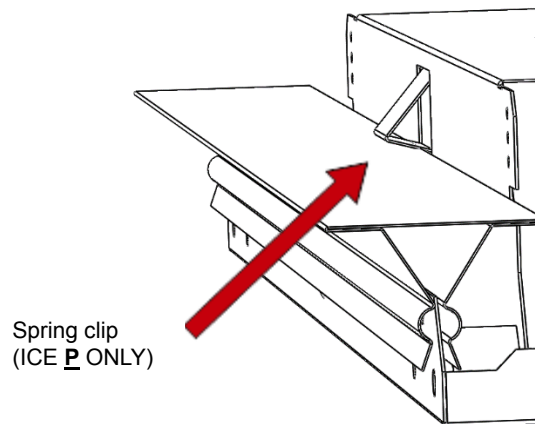


3.



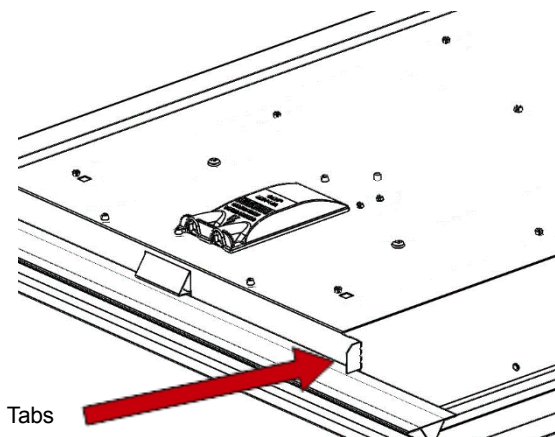
ICER version, product lays-in on back of ceiling T bar.

4.



Spring clip  
(ICE P ONLY)

5.



Tabs

6.

