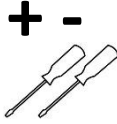


MODLED Lay-In

230-240V / 50-60Hz

IP20

IK00



5.0mm



WARNING - THIS LUMINAIRE MUST BE EARTHED

This luminaire has been tested and is manufactured to comply with BS EN 60598 : specification for general requirements and tests. It should be installed by a suitably qualified person in accordance with IEE.

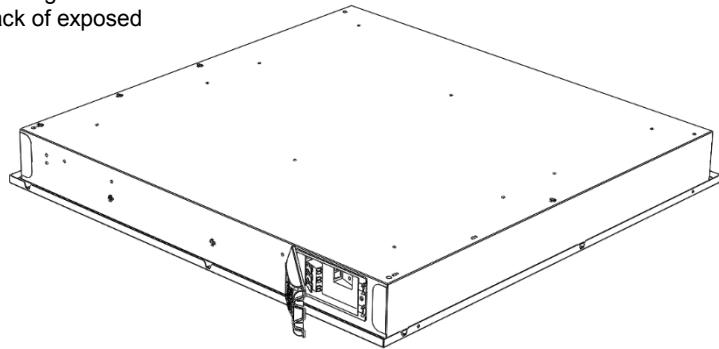
CAUTION: there is a potential risk of electric shock from the LED boards when the product is operational with the cover removed.

NOTE: INSTALLATION AND OPERATION OF THE LUMINAIRE BEYOND ITS SCOPE OF SUPPLY WILL INVALIDATE THE WARRANTY.

DIL-0102-0001

1.

MODR – no brackets supplied. Luminaire is designed to simply lift and tilt in to aperture resting on back of exposed T-bar (15 or 24mm).



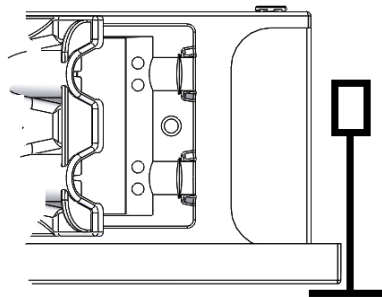
2.

SIZES

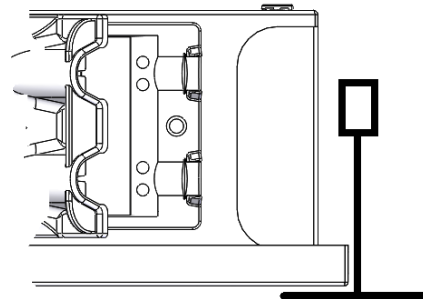
599 x 599

1199 x 599

1199 x 299



15mm



24mm

3.

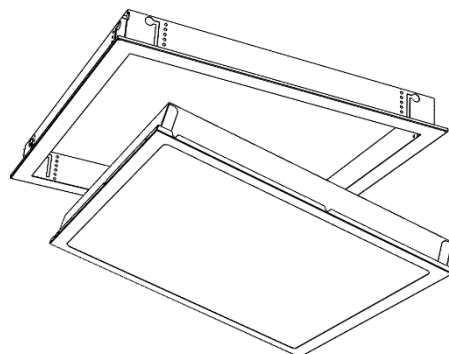
Installation in Solid Ceiling

REQUIRED APERTURE SIZES

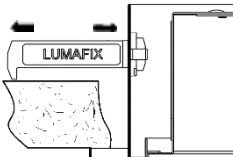
612 x 612

1212 x 612

1212 x 312



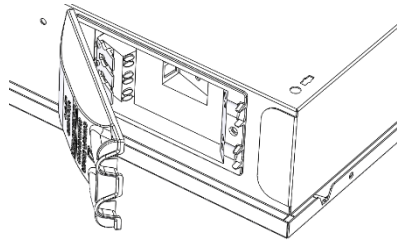
55.5mm



Up to 32mm

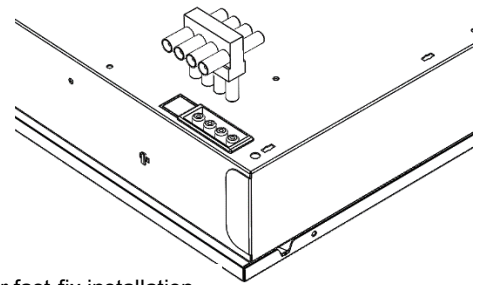
MODR fitted in PBK frame (suitable for plasterboard / solid ceilings with thickness up to 32mm). Luminaire lift and tilts as R1.1

4a. Electrical Connection



Standard hard-wire termination.
May be supplied as:
3-pole <LEN>
4-pole <N E 1 2>
6-pole <LENL2 D1 D2>.
If specified, a flex can be factory-fitted.

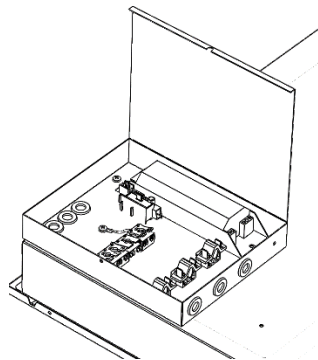
4b.



Panel socket for fast-fix installation.
Can be supplied as 4-pole (4PM)
or 6-pole (6PM). Will require
necessary T-connectors and leads.

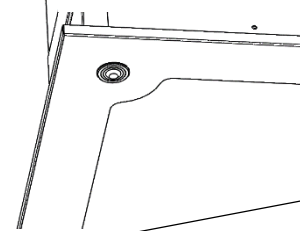
4c.

For alternative configurations (Autotest emergency / central battery systems etc.) luminaires may be supplied with additional back-box as seen right. Conductor identification will be marked accordingly.

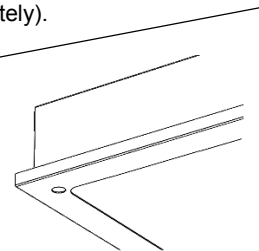


5. Options

For luminaires with presence / daylight detection, an integral sensor is fitted as shown left (specified as R24). Luminaires configured by IR remote control (ordered separately).



For luminaires with integral emergency, the battery charge status LED is located in the corner of the frame, behind the diffuser.

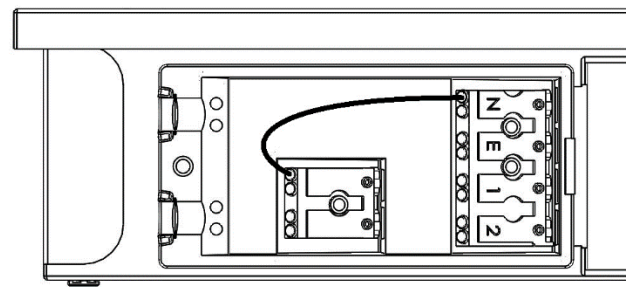


6.

Other options are available not shown here which essentially have cosmetic differences only (Office compliant version / PF version etc.). This installation leaflet applies to these versions.

7.

Neutral link within terminal cover in MODLED ranges is present to allow conversion to DSI/ DALI dimming, remove if necessary.



8.

Philips Trustsight Emergency modules.

If supplied with Philips Trustsight emergency gear please see table for LED indications

LED indicator status

| LED indicator (colour / flashing) | Error condition | Cause | Solution |
|-----------------------------------|-------------------------------------|--|--|
| Green / no | | System OK, battery fully charged | |
| Green / slow | | System OK, battery is charging, not full | |
| Green / fast | | System OK, recently tested (< 5 days) | |
| RED / no | Battery voltage too high | No battery connected | Connect a battery |
| RED / no | Battery voltage too low | Wrong or bad battery connected | Replace battery |
| RED / fast | Output voltage too low | Wrong LED load connected | Connect a right load and perform a functional test |
| RED / fast | Output voltage too high | Wrong LED load connected | Connect a right load and perform a functional test |
| RED / slow | Too short time during duration test | Battery end of life | Replace battery and perform a duration test. |

Fast flashing: f - 2 Hz (on-time - 250 ms, off-time - 250 ms)
Slow flashing: f - 0.66 Hz (on-time - 250 ms, off-time - 1250 ms)