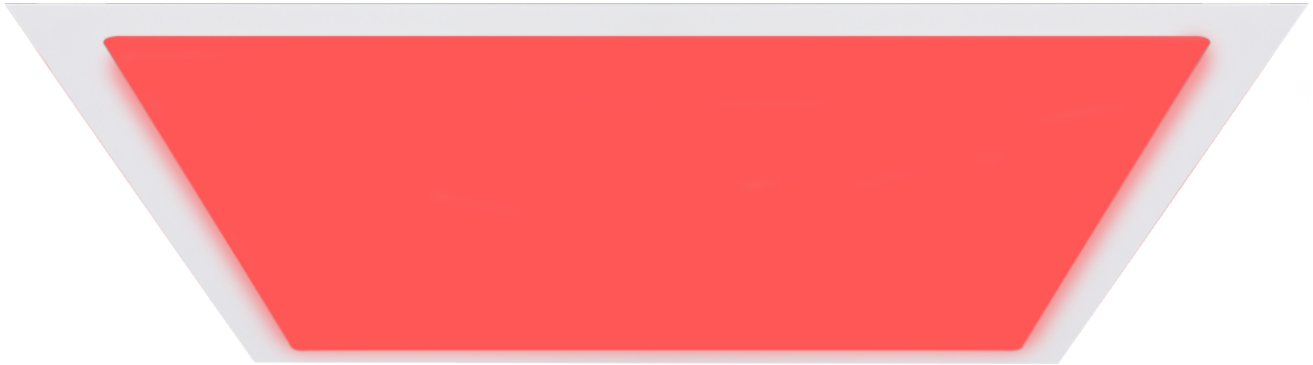




PRODUCT SPECIFICATION

MOD RGBW



INTRODUCTION

Developed from the Dextra MODLED Slim range, the MODLED RGBW provides a colour changing solution within a minimalist flat panel appearance with a homogenous lit diffuser. The highly efficient back lit design gives a superior energy efficiency and LED lifetime.

For ceiling compatibility, lay in and pull up variants are available.

Each luminaire contains three LED cards, populated with mid-power red, green, blue and white LED chips with a focus on being able to produce various colours precisely and consistently. A range of control systems are available upon specification depending on the needs of the client.

- CE
- NEW
- TP(a)

APPLICATION

- Education
- Healthcare/Social Housing
- Hotel/Leisure

SPECIFICATION

CONSTRUCTION

- Steel housing powder painted white.
- High transmission panel with up to 93% transmission and excellent diffusion for maximum efficiency and visual comfort.

PERFORMANCE

- CR4 steel housing powder painted white with ABS injection moulded diffuser frame and thermally cured gasket.
- High transmission TP(a) rated 2mm opalised polycarbonate diffuser.
- Pull up variant available on request
- Red / Blue / Green channels allow for full colour change. White channel supplied in 4000k as standard, other colour temperatures available on request. Please note RGB and W channels must be operated separately.

CONTROL

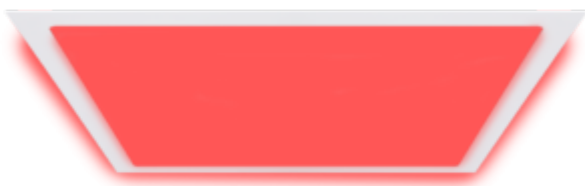
- RGBW colour change with DALI control

TECHNICAL

- Circuit Wattage - Red 21.3w, Green 30.4w, Blue 28.2w
- Luminaire Lumens - Red 923lm, Green 2380lm, Blue 364lm

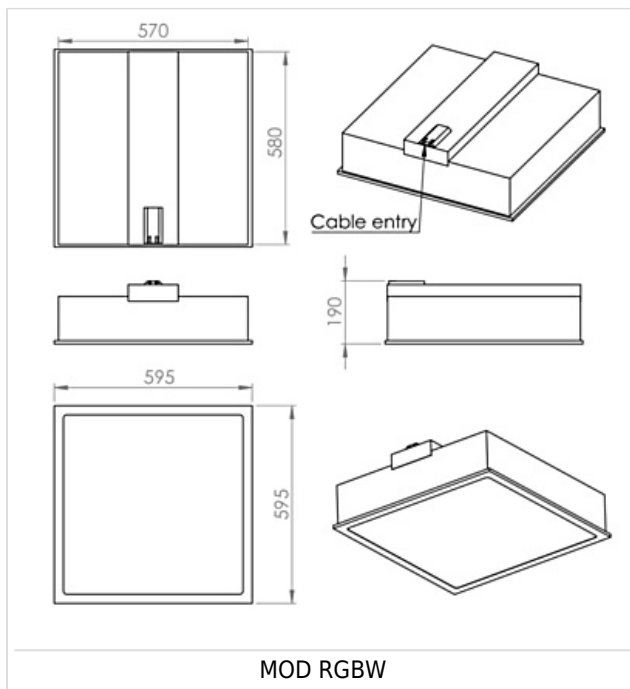
IMAGES

PRODUCT IMAGES



MOD-rgbw

TECHNICAL



WARRANTY

At Dextra our commitment to service has been at the forefront throughout our history spanning more than forty years in the UK lighting market. Our service ethos extends beyond design and delivery, we believe supporting your installation throughout the warranty period is equally crucial, whilst the strength and longevity of Dextra Group provides peace of mind that our warranty will be supported throughout.

The Dextra range is supplied with a five year warranty commencing from the date of delivery. During the first three years defects will be repaired on site and the warranty will include both parts and labour. For the final two years drivers, emergency modules, wireless modules, sensors and LED circuits will be supplied free of charge to replace defective components, labour and other associated costs are not included.

Certain ranges and components are subject to exemptions:

- Lithium batteries are provided with a three year warranty for parts and labour. Nickel Metal Hydride and Nickel Cadmium batteries are provided with a one year warranty for parts and labour.
- Emergency luminaires including AME LED, EXI LED, EXI2 LED, EXI Track, HBE LED, HBE2 LED, OAT2 LED, OEZ LED and Twinspot with Nickel Metal Hydride batteries are supplied with a one year warranty for parts and labour. Lithium variants of these ranges are supplied with a three year warranty for parts and labour.
- Protec Micro, Fire Rated Downlights and Serenus are provided with a five year replacement luminaire only warranty.
- Controls systems such as standalone sensors, switches, marshalling boxes and cabling are provided with a one year warranty for both parts and labour. DALI control systems are provided with a two year warranty for both parts and labour.
- LEDextra ranges including Glide Power, Glide Mini, Glide RGBW, Colour Glide, Glide In Ground, Glide Pixel and AluLED ranges are supplied with a three year parts or replacement luminaire only warranty.
- LEDEX ranges are supplied with a three year replacement luminaire only warranty.

All warranties are subject to correct use of the product and will be invalidated by misuse, for example incorrect installation, unsuitable environmental conditions or incorrect maintenance. It is the duty of the customer to ensure that all the fault lies with the luminaire prior to requesting replacement parts or site repairs. In the event that no defect is found with the product our costs for attending site will be recharged to the customer and credit will not be issued against returned products. No consequential losses incurred resulting from any defect with our product will be reimbursed.

Given the nature of LED technology a small percentage of LEDs may fail during the lifetime of a luminaire, this does not cause a reduction in lumen output. As such LED luminaires are only deemed to be faulty for warranty purposes when in excess of ten percent of LEDs have failed in a single luminaire

On site repair of products under warranty will be undertaken during normal working hours, 9am to 5pm Monday to Friday, and will require unrestricted access to luminaires. Where required Dextra will provide access equipment to carry out repairs at height, should luminaires have been installed in locations where reasonable provision for maintenance access has not been made we reserve the right to supply replacement product only.

If you require any assistance with regards to our products please contact our Customer Services department on 01747 858100.

ORDER CODES

LUMINAIRE CODES

Code	Description	Circuit Wattage	
MODR L45 RGBW	MODLED RGBW, Pull-Up, 600x600mm, 3204lm White, C84, RGBW	28.2w	113