



PRODUCT SPECIFICATION

COLOUR GLIDE



INTRODUCTION

The Colour Glide is a powerful and versatile LED flood light, available in full RGBW, auto addressing DMX and four beam angle variants. A wide range of buildings and structures can be transformed with this versatile luminaire. It has become incredibly popular with lighting designers and building owners around the world to illuminate structures with colour. Almost every urban environment around the world now has some coloured exterior floodlighting, spotlighting, wall washing, or grazing. Our Colour Glide fills a void in the UK market for a cost effective, high lumen package colour floodlight. With this flexible and reliable product you can spotlight architectural details, floodlight tall buildings or façades, highlight exterior textures and enhance walls with a wash of colour, all from one high quality light fixture.

- CE
- NEW
- IP65

APPLICATION

- Facade Lighting
- Hotel/Leisure
- Parking/Exterior
- Retail
- Shop Front

SPECIFICATION

CONSTRUCTION

- Die cast aluminium housing
- 4mm toughened glass cover
- IP66

PERFORMANCE

- 4 Channel DMX with DMX RMD

VARIATIONS

- Available with wide and narrow beam angles

INSTALLATION

- Supplied complete with adjustable saddle bracket

IMAGES

PRODUCT IMAGES

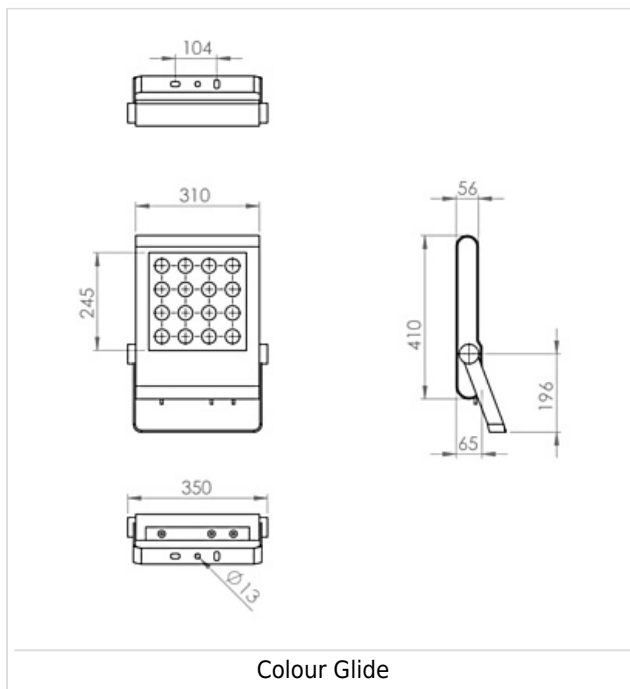


Colour Glide - lit



Colour Glide

TECHNICAL



WARRANTY

At Dextra our commitment to service has been at the forefront throughout our history spanning more than forty years in the UK lighting market. Our service ethos extends beyond design and delivery, we believe supporting your installation throughout the warranty period is equally crucial, whilst the strength and longevity of Dextra Group provides peace of mind that our warranty will be supported throughout.

The Dextra range is supplied with a five year warranty commencing from the date of delivery. During the first three years defects will be repaired on site and the warranty will include both parts and labour. For the final two years drivers, emergency modules, wireless modules, sensors and LED circuits will be supplied free of charge to replace defective components, labour and other associated costs are not included.

Certain ranges and components are subject to exemptions:

- Lithium batteries are provided with a three year warranty for parts and labour. Nickel Metal Hydride and Nickel Cadmium batteries are provided with a one year warranty for parts and labour.
- Emergency luminaires including AME LED, EXI LED, EXI2 LED, EXI Track, HBE LED, HBE2 LED, OAT2 LED, OEZ LED and Twinspot with Nickel Metal Hydride batteries are supplied with a one year warranty for parts and labour. Lithium variants of these ranges are supplied with a three year warranty for parts and labour.
- Protec Micro, Fire Rated Downlights and Serenus are provided with a five year replacement luminaire only warranty.
- Controls systems such as standalone sensors, switches, marshalling boxes and cabling are provided with a one year warranty for both parts and labour. DALI control systems are provided with a two year warranty for both parts and labour.
- LEDextra ranges including Glide Power, Glide Mini, Glide RGBW, Colour Glide, Glide In Ground, Glide Pixel and AluLED ranges are supplied with a three year parts or replacement luminaire only warranty.
- LEDEX ranges are supplied with a three year replacement luminaire only warranty.

All warranties are subject to correct use of the product and will be invalidated by misuse, for example incorrect installation, unsuitable environmental conditions or incorrect maintenance. It is the duty of the customer to ensure that all the fault lies with the luminaire prior to requesting replacement parts or site repairs. In the event that no defect is found with the product our costs for attending site will be recharged to the customer and credit will not be issued against returned products. No consequential losses incurred resulting from any defect with our product will be reimbursed.

Given the nature of LED technology a small percentage of LEDs may fail during the lifetime of a luminaire, this does not cause a reduction in lumen output. As such LED luminaires are only deemed to be faulty for warranty purposes when in excess of ten percent of LEDs have failed in a single luminaire

On site repair of products under warranty will be undertaken during normal working hours, 9am to 5pm Monday to Friday, and will require unrestricted access to luminaires. Where required Dextra will provide access equipment to carry out repairs at height, should luminaires have been installed in locations where reasonable provision for maintenance access has not been made we reserve the right to supply replacement product only.

If you require any assistance with regards to our products please contact our Customer Services department on 01747 858100.

[DOWNLOAD WARRANTY PDF](#)

ORDER CODES

LUMINAIRE CODES

Code	Description	Circuit Wattage Llm/W	
CGE L130 0808 RGBW	Colour Glide, 130W, RGBW, 4 in 1 DMX RMD, 8 Degree, 3000k Grey		
CGE L130 1818 RGBW	Colour Glide, 130W, RGBW, 4 in 1 DMX RMD, 18 Degree, 3000k Grey		
CGE L130 3030 RGBW	Colour Glide, 130W, RGBW, 4 in 1 DMX RMD, 30 Degree, 3000k Grey		
CGE L130 4040 RGBW	Colour Glide, 1465lm, 130W, RGBW, 4 in 1 DMX RMD, 40 Degree, 3000k Grey	37.7W	38