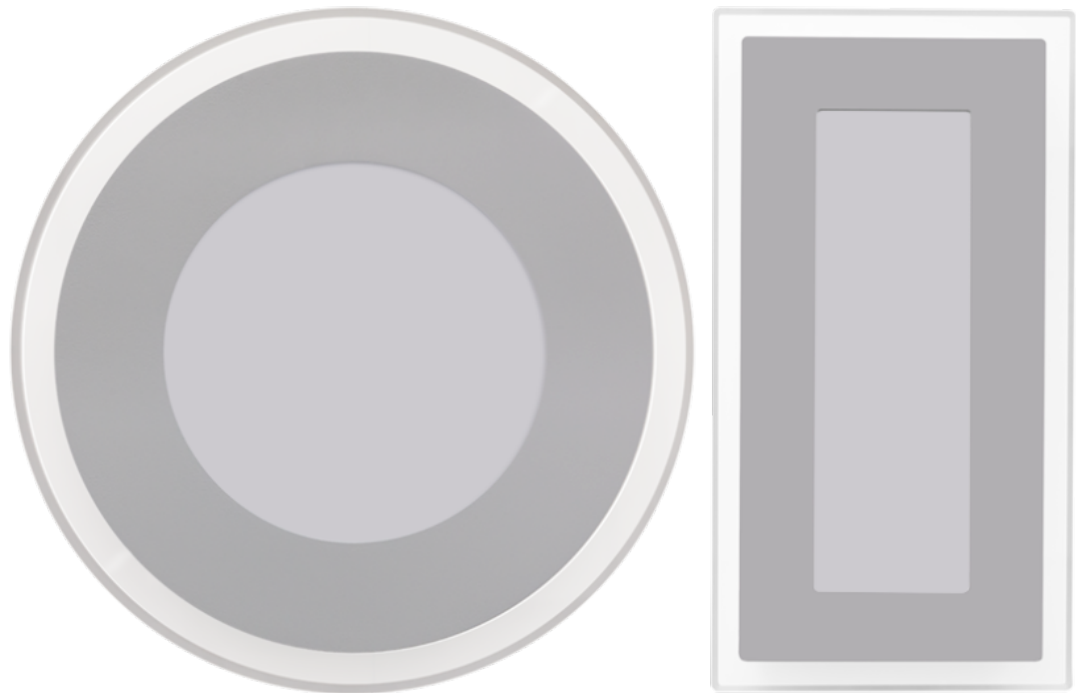


# PRODUCT SPECIFICATION

---

VOLITO



---

## INTRODUCTION

---

Combining efficiency and flexibility with a striking aesthetic, the Volito offers the ideal solution to those wishing to create drama and impact in any space. With a milled clear surround with bevelled edge the Volito produces a halo effect which contrasts against the grey housing and high transmission central opal diffuser to produce concentric contrasting rings with differing visual effects.

The Volito has been designed to ensure that visual effect does not compromise performance, efficiency and flexibility. With a range of lumen outputs, emergency and dimming options, as well as controls solutions including wireless connectivity, the Volito can be specified in various combinations to suit the requirements of the installation and to integrate with all common controls systems. Circular or rectangular versions and a range of colour temperature options further enhance the flexibility of this luminaire.

- CE
- NEW
- IP20
- L90 / 60K OPERATING HOURS
- 3 STEP MACADAM ELLIPSE

---

## APPLICATION

---

- Commercial/Offices
- Corridor

- Education
- Healthcare/Social Housing
- Hotel/Leisure
- Retail
- Stairwell

---

## SPECIFICATION

---

### CONSTRUCTION

- Injection moulded polycarbonate housing (circular)
- Steel housing (rectangular)
- Milled clear polycarbonate halo effect external diffuser
- Grey polycarbonate diffuser surround available in two colour options
- High transmission opalised central diffuser

### PERFORMANCE

- Available with three different lumen outputs.
- LM80 verified: 90% LED lumen maintenance at 60,000 operating hours.
- Standard Deviation Colour Match – 3 Step Macadam’s Ellipse.
- L2 compliant.

### EMERGENCY

- Available with standard, self test, autotest and wireless emergency options.

### CONTROL

- Available with Digital, DALI, and Switch Dimming control gear.

### INSTALLATION

- Suitable for surface mounting on walls and ceilings.

### OPTIONS

- Available with two bezel colours, light or dark grey.
- C83, C84 and C85 options.
- Circular and rectangular variants.

---

## IMAGES

---

### PRODUCT IMAGES



Volito Round - Grey



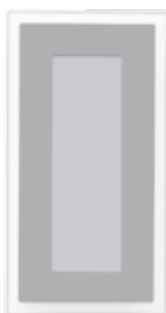
Volito Round - Dark Grey



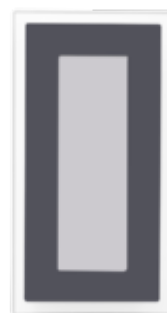
Volito Round - Grey



Volito Round - Dark Grey



Volito Rectangle - Grey



Volito Rectangle - Dark Grey



Volito Rectangle - Grey



Volito Rectangle - Dark Grey



Volito Round - Grey - Lit

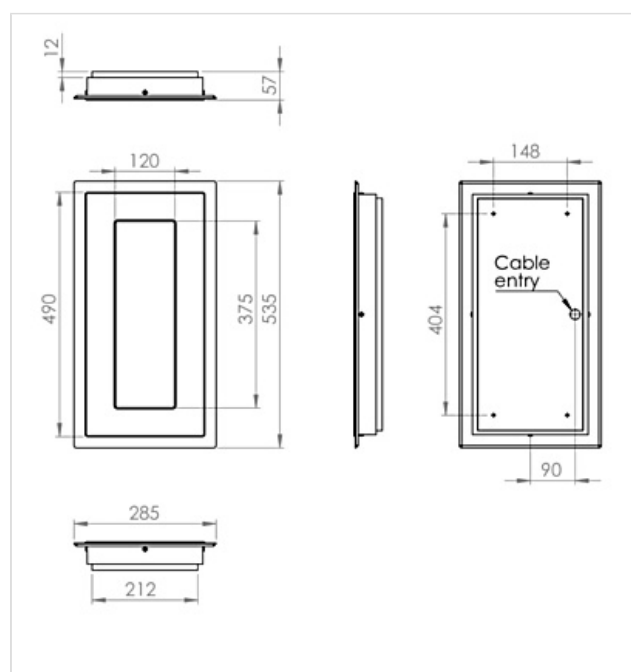
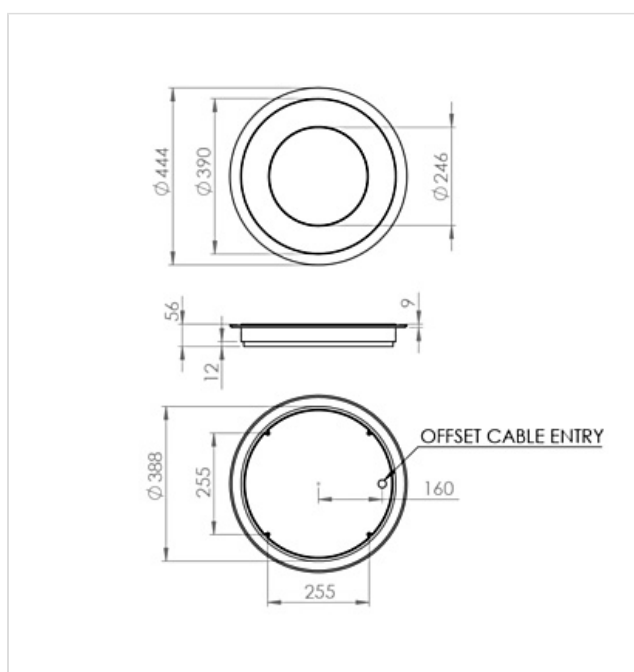


Volito Rectangle - Dark Grey - Lit

PROJECT IMAGES



TECHNICAL



Volito

Volito

---

## WARRANTY

---

At Dextra our commitment to service has been at the forefront throughout our history spanning more than forty years in the UK lighting market. Our service ethos extends beyond design and delivery, we believe supporting your installation throughout the warranty period is equally crucial, whilst the strength and longevity of Dextra Group provides peace of mind that our warranty will be supported throughout.

The Dextra range is supplied with a five year warranty commencing from the date of delivery. During the first three years defects will be repaired on site and the warranty will include both parts and labour. For the final two years drivers, emergency modules, wireless modules, sensors and LED circuits will be supplied free of charge to replace defective components, labour and other associated costs are not included.

Certain ranges and components are subject to exemptions:

- Lithium batteries are provided with a three year warranty for parts and labour. Nickel Metal Hydride and Nickel Cadmium batteries are provided with a one year warranty for parts and labour.
- Emergency luminaires including AME LED, EXI LED, EXI2 LED, EXI Track, HBE LED, HBE2 LED, OAT2 LED, OEZ LED and Twinspot with Nickel Metal Hydride batteries are supplied with a one year warranty for parts and labour. Lithium variants of these ranges are supplied with a three year warranty for parts and labour.
- Protec Micro, Fire Rated Downlights and Serenus are provided with a five year replacement luminaire only warranty.
- Controls systems such as standalone sensors, switches, marshalling boxes and cabling are provided with a one year warranty for both parts and labour. DALI control systems are provided with a two year warranty for both parts and labour.
- LEDextra ranges including Glide Power, Glide Mini, Glide RGBW, Colour Glide, Glide In Ground, Glide Pixel and AluLED ranges are supplied with a three year parts or replacement luminaire only warranty.
- LEDEX ranges are supplied with a three year replacement luminaire only warranty.

All warranties are subject to correct use of the product and will be invalidated by misuse, for example incorrect installation, unsuitable environmental conditions or incorrect maintenance. It is the duty of the customer to ensure that all the fault lies with the luminaire prior to requesting replacement parts or site repairs. In the event that no defect is found with the product our costs for attending site will be recharged to the customer and credit will not be issued against returned products. No consequential losses incurred resulting from any defect with our product will be reimbursed.

Given the nature of LED technology a small percentage of LEDs may fail during the lifetime of a luminaire, this does not cause a reduction in lumen output. As such LED luminaires are only deemed to be faulty for warranty purposes when in excess of ten percent of LEDs have failed in a single luminaire

On site repair of products under warranty will be undertaken during normal working hours, 9am to 5pm Monday to Friday, and will require unrestricted access to luminaires. Where required Dextra will provide access equipment to carry out repairs at height, should luminaires have been installed in locations where reasonable provision for maintenance access has not been made we reserve the right to supply replacement product only.

If you require any assistance with regards to our products please contact our Customer Services department on 01747 858100.

[DOWNLOAD WARRANTY PDF](#)


---

## ORDER CODES

---

### LUMINAIRE CODES

Code	Description	Wattages	Llm/W
VOL L15 CI	Volito, 1191lm, Opal Diffuser, Light Grey Bezel, Circular, Colour 84	10.7W	111
VOL L20 CI	Volito, 1588lm, Opal Diffuser, Light Grey Bezel, Circular, Colour 84	14.5W	109
VOL L30 CI	Volito, 2382lm, Opal Diffuser, Light Grey Bezel, Circular, Colour 84	23.1W	103
VOL L15 RE	Volito, 1032lm, Opal Diffuser, Light Grey Bezel, Rectangular, Colour 84	11.5W	89
VOL L20 RE	Volito, 1376lm, Opal Diffuser, Light Grey Bezel, Rectangular, Colour 84	14.8W	92
VOL L30 RE	Volito, 2064lm, Opal Diffuser, Light Grey Bezel, Rectangular, Colour 84	20.9W	98

### DIMMING OPTIONS

Code	Description
A	Digital Addressable Lighting Interface (DALI)
S	Switch Dimming
C	Bi Level Dimming for use with standalone switched sensor
D	Digital Dimming (DSI)

### LIGHTING CONTROL

Code	Description
R25E	R25 On/Off (Microwave Presence / Brightout Sensor High Frequency)
R25C*	R25 Corridor Mode (Microwave Presence / Brightout Sensor High Frequency)
R25W	Reacta-Wave, Wireless Linked Sensor
RLM	Reacta-Link Microwave

\*Bi-Level Dimming. Will only dim the luminaire to 10% during absence and brightout, it will not turn the luminaire off.

### EMERGENCY

Code	Description
LE3	Lithium Emergency 3 Hour
LS3	Lithium Selftest
LA3	Lithium Autotest
STR	Emergency Reacta-Link

### MISCELLANEOUS

Code	Description
DG	Dark Grey Bezel
C83	Colour 83
C85	Colour 85