



PRODUCT SPECIFICATION

SOMNUM



INTRODUCTION

The Somnum has been designed to meet both the practical needs of a hospital ward and the stringent requirements of LG2 to ensure that it provides a comfortable light source for patients and a practical source for medical staff to carry out their work.

When wall mounted below a height of 1.8M the optical design of the Somnum in dimmable versions ensure that the luminance between 90° and 145° is below 700 cd/m² to ensure that the lighting does not cause discomfort glare for patients. The downlight output provides a suitable reading light for patients whilst the more powerful uplight is designed to meet the needs of medical staff in the course of their work. Both up and downlight outputs are separately controlled and can be supplied with DALI compatible dimming to ensure that they can integrate with the patient's and staff's controls system. The Somnum is also available in CRI90 variants where required should superior colour rendering be required for clinical purposes as well as wireless dimming and control with our Reacta-Dim system.

From a practical perspective the Somnum has been designed to IP30 rating with a minimum of dirt and dust traps for ease of cleaning and to aid maintenance of a sterile environment whilst the housing has been constructed with polycarbonate diffusers and a 3mm gauge aluminium to ensure it is robust enough to withstand the vigours of a hospital environment. The luminaire size is intended to ensure that installation can be undertaken without interfering with other bedside wall mounted equipment and the top surface has been sloped to prevent incorrect use as a shelf. The Somnum is finished with an anti-bacterial paint finish to assist with maintaining a hygienic environment.

- CE
- IP30
- IK07
- L90 / 60K OPERATING HOURS

- 3 STEP MACADAM ELLIPSE

APPLICATION

- Healthcare/Social Housing

SPECIFICATION

CONSTRUCTION

- White powder painted aluminium and steel housing
- High transmission polycarbonate diffusers
- Painted with an anti-bacterial finish to assist with maintenance of a hygienic environment

PERFORMANCE

- 109 luminaire lumens per circuit watt
- LM80 verified: 90% LED lumen maintenance at 60,000 operating hours
- Standard Deviation Colour Match - 3 Step Macadam's Ellipse

CONTROL

- Available in a range of dimming variants including DALI to ensure compatibility with control systems for patients and staff
- Twin drivers with independently switched up and downlight
- White Tunable, Lumen outputs vary, please contact our sales department for details

INSTALLATION

- Two part construction for ease of installation with separate wall mounting bracket

IMAGES

PRODUCT IMAGES

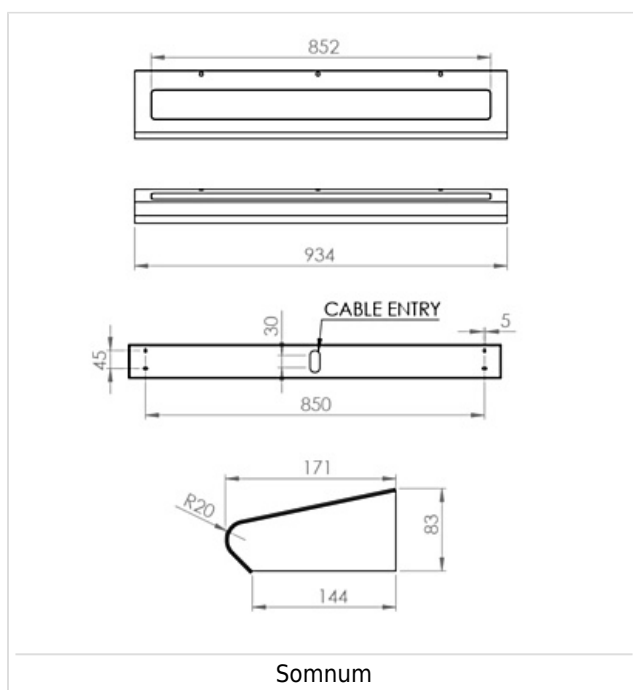


Somnum

PROJECT IMAGES



TECHNICAL



WARRANTY

At Dextra our commitment to service has been at the forefront throughout our history spanning more than forty years in the UK lighting market. Our service ethos extends beyond design and delivery, we believe supporting your installation throughout the warranty period is equally crucial, whilst the strength and longevity of Dextra Group provides peace of mind that our warranty will be supported throughout.

The Dextra range is supplied with a five year warranty commencing from the date of delivery. During the first three years defects will be repaired on site and the warranty will include both parts and labour. For the final two years drivers, emergency modules, wireless modules, sensors and LED circuits will be supplied free of charge to replace defective components, labour and other associated costs are not included.

Certain ranges and components are subject to exemptions:

- Lithium batteries are provided with a three year warranty for parts and labour. Nickel Metal Hydride and Nickel Cadmium batteries are provided with a one year warranty for parts and labour.
- Emergency luminaires including AME LED, EX1 LED, EX12 LED, EX1 Track, HBE LED, HBE2 LED, OAT2 LED, OEZ LED and Twinspot with Nickel Metal Hydride batteries are supplied with a one year warranty for parts and labour. Lithium variants of these ranges are supplied with a three year warranty for parts and labour with the exception of the AME2, EX13, HBE3 and TWS IP65 L7 ranges which are supplied with a one year parts and labour warranty.
- Protec Micro, 7W Fire Rated Downlights and Serenus are provided with a five year replacement luminaire only warranty.
- Controls systems such as standalone sensors, switches, marshalling boxes and cabling are provided with a one year warranty for both parts and labour. DALI control systems are provided with a two year warranty for both parts and labour.
- LEDextra ranges including Glide Power, Glide Mini, Glide RGBW, Colour Glide, Glide In Ground, Glide Pixel and AluLED ranges are supplied with a three year parts or replacement luminaire only warranty.
- LEDEX ranges are supplied with a three year replacement luminaire only warranty.

All warranties are subject to correct use of the product and will be invalidated by misuse, for example incorrect installation, unsuitable environmental conditions or incorrect maintenance. It is the duty of the customer to ensure that all the fault lies with the luminaire prior to requesting replacement parts or site repairs. In the event that no defect is found with the product our costs for attending site will be recharged to the customer and credit will not be issued against returned products. No consequential losses incurred resulting from any defect with our product will be reimbursed.

Given the nature of LED technology a small percentage of LEDs may fail during the lifetime of a luminaire, this does not cause a reduction in lumen output. As such LED luminaires are only deemed to be faulty for warranty purposes when in excess of ten percent of LEDs have failed in a single luminaire

On site repair of products under warranty will be undertaken during normal working hours, 9am to 5pm Monday to Friday, and will require unrestricted access to luminaires. Where required Dextra will provide access equipment to carry out repairs at height, should luminaires have been installed in locations where reasonable provision for maintenance access has not been made we reserve the right to supply replacement product only.

If you require any assistance with regards to our products please contact our Customer Services department on 01747 858100.

[DOWNLOAD WARRANTY PDF](#)

ORDER CODES

LUMINAIRE

Code	Description	Circuit Wattage	lIm/W
SOM L42	Somnum, 2,876lIm, 25% Down 75% Up, Double Switched, Colour 84	26.3W	109

DIMMING

Code	Description
A	DALI Digital Addressable Lighting Interface
S	Switch Dimming
C	Bi-Level Dimming For Standalone Switched Sensor
WT	White Tunable (Lumen Outputs Vary from Standard)

Ensure dimming variants are ordered where compliance to LG2 Glare Standards are required.

Please [click here](#) for full details on our white tunable offer

CONTROL

Code	Description
RD	Reacta-Dim, Wireless Dimming / Switching

EMERGENCY

Code	Description
CB	Central Battery, Please specify 50v, 110v or 230v when ordering

MISCELLANEOUS

Code	Description
C**	Select Colour Temperature and Rendering; C83, C84, C85, C865, C93, C94

Please specify if different colour temperatures are required for Up and Downlight.