



# PRODUCT SPECIFICATION

---

## SKY-LIGHT 2



---

## INTRODUCTION

---

The Sky-Light 2 offers a highly efficient lens controlled solution for a wide range of applications from retail through to light industry, manufacturing and logistics. The lensed optic provides excellent efficiency and precise control ensuring light is cast exactly where required. The minimalist steel housing ensures that the Sky-Light 2 is unobtrusive whilst allowing cool operation of LEDs maximising life time.

With a 90° beam angle as standard the Sky-Light 2 is optimised for retail applications ensuring gondolas and merchandise are lit to optimal effect creating an attractive environment for customers whilst minimising glare. Other lens options can be offered ensuring the Sky-Light 2 can be tailored to a multitude of applications. The Sky-Light 2 can also be offered with all common dimming and lithium emergency variants. The Sky-Light 2 is also compatible with a range of wireless controls allowing for basic dimming and control through to centralised web based reporting for energy and emergency reporting with our Reacta-Link system.

- CE
- IP20
- L90 / 60K OPERATING HOURS
- 3 STEP MACADAM ELLIPSE

---

## APPLICATION

---

- Hotel/Leisure
- Industrial/Manufacturing

- Retail
- Transport
- Warehouse/Storage

---

## SPECIFICATION

---

### CONSTRUCTION

- Steel housing powder painted white
- 90 Degree lens, other variants available
- IP20

### PERFORMANCE

- In excess of 150 luminaire lumens per watt
- LM80 verified: 90% LED lumen maintenance at 60,000 operating hours.
- Standard Deviation Colour Match – 3 Step Macadam’s Ellipse.

### EMERGENCY

- Available with optional standard, self test and autotest integral emergency with lithium batteries for extended warranty and lifetime.

### CONTROL

- Available with all common dimming variants, DSI, DALI, Analogue and Switch Dim
- A range of wireless controls solutions can be offered ranging from Reacta Dim for localised control to Reacta Link for central control and reporting of luminaire status.

### INSTALLATION

- Suitable for suspension and trunking installation.

---

## IMAGES

---

### PRODUCT IMAGES



6 Card 1500mm



4 Card 1000mm



9 Card 1500mm



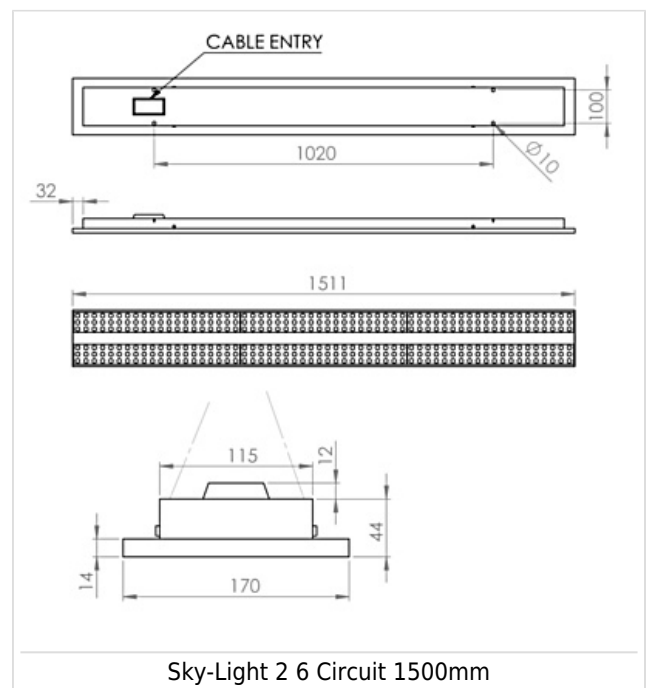
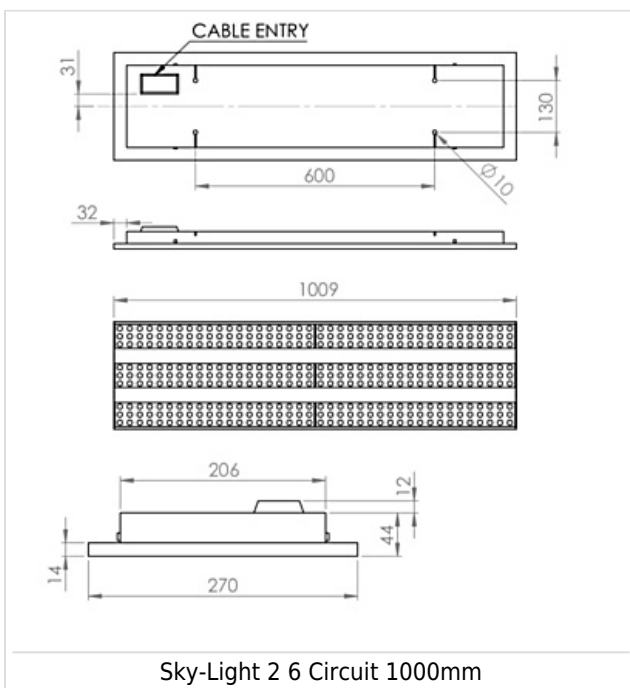
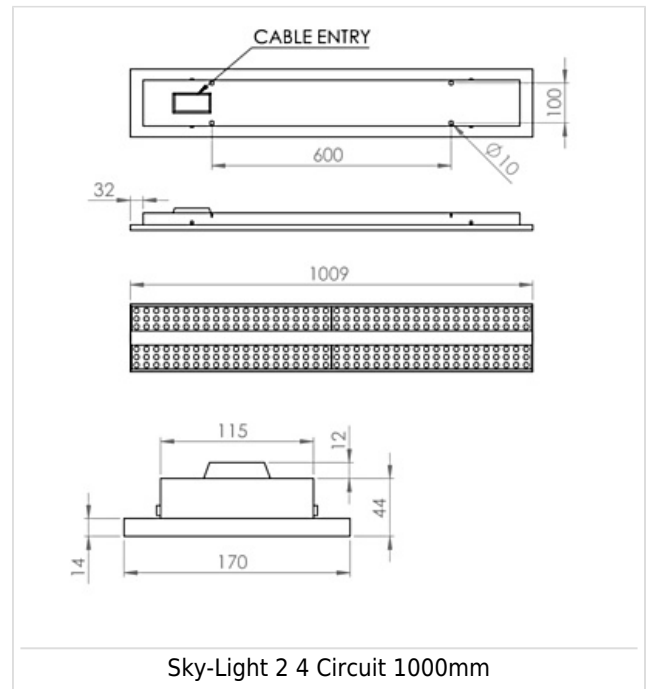
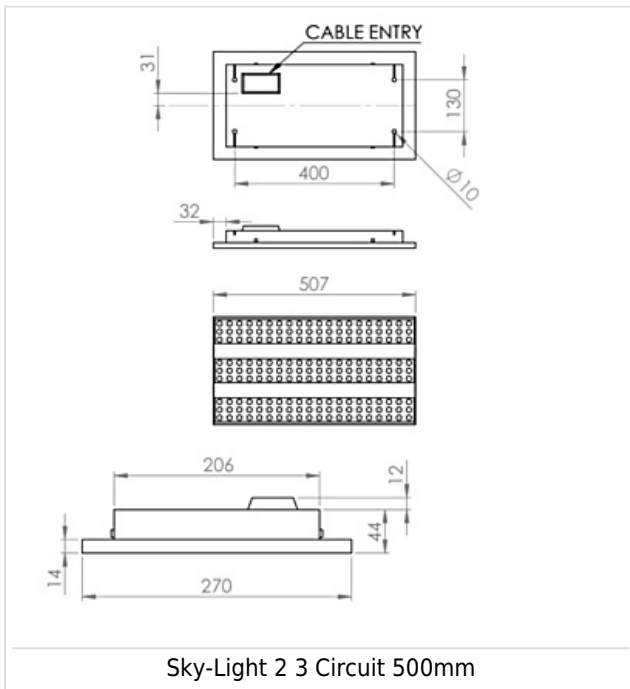
6 Card 1000mm

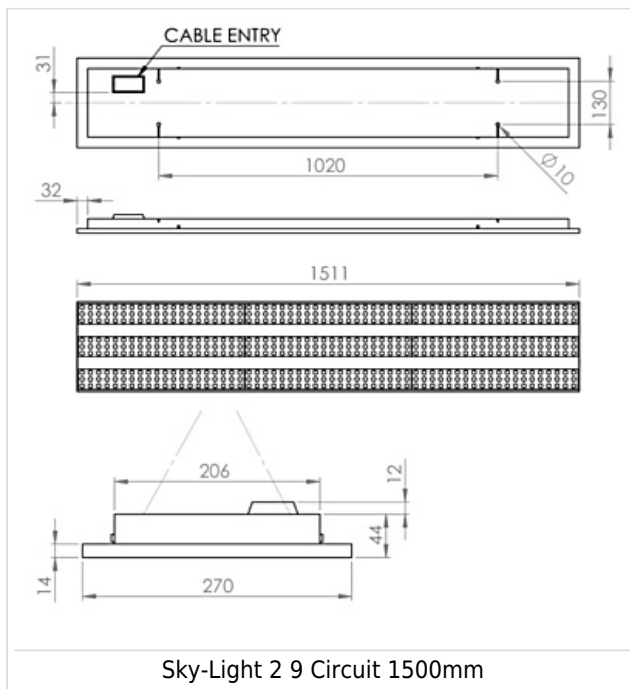
3 Card 1000mm

---

## TECHNICAL

---





## WARRANTY

At Dextra our commitment to service has been at the forefront throughout our history spanning more than forty years in the UK lighting market. Our service ethos extends beyond design and delivery, we believe supporting your installation throughout the warranty period is equally crucial, whilst the strength and longevity of Dextra Group provides peace of mind that our warranty will be supported throughout.

The Dextra range is supplied with a five year warranty commencing from the date of delivery. During the first three years defects will be repaired on site and the warranty will include both parts and labour. For the final two years drivers, emergency modules, wireless modules, sensors and LED circuits will be supplied free of charge to replace defective components, labour and other associated costs are not included.

Certain ranges and components are subject to exemptions:

- Lithium batteries are provided with a three year warranty for parts and labour. Nickel Metal Hydride and Nickel Cadmium batteries are provided with a one year warranty for parts and labour.
- Emergency luminaires including AME LED, EX1 LED, EX12 LED, EX1 Track, HBE LED, HBE2 LED, OAT2 LED, OEZ LED and Twinspot with Nickel Metal Hydride batteries are supplied with a one year warranty for parts and labour. Lithium variants of these ranges are supplied with a three year warranty for parts and labour with the exception of the AME2, EX13, HBE3 and TWS IP65 L7 ranges which are supplied with a one year parts and labour warranty.
- Protec Micro, 7W Fire Rated Downlights and Serenus are provided with a five year replacement luminaire only warranty.
- Controls systems such as standalone sensors, switches, marshalling boxes and cabling are provided with a one year warranty for both parts and labour. DALI control systems are provided with a two year warranty for both parts and labour.
- LEDextra ranges including Glide Power, Glide Mini, Glide RGBW, Colour Glide, Glide In Ground, Glide Pixel and AluLED ranges are supplied with a three year parts or replacement luminaire only warranty.
- LEDEX ranges are supplied with a three year replacement luminaire only warranty.

All warranties are subject to correct use of the product and will be invalidated by misuse, for example incorrect installation, unsuitable environmental conditions or incorrect maintenance. It is the duty of the customer to ensure that all the fault lies with the luminaire prior to requesting replacement parts or site repairs. In the event that no defect is found with the product our costs for attending site will be recharged to the customer and credit will not be issued against returned products. No consequential losses incurred resulting from any defect with our product will be reimbursed.

Given the nature of LED technology a small percentage of LEDs may fail during the lifetime of a luminaire, this does not cause a reduction in lumen output. As such LED luminaires are only deemed to be faulty for warranty purposes when in excess of ten percent of LEDs have failed in a single luminaire

On site repair of products under warranty will be undertaken during normal working hours, 9am to 5pm Monday to Friday, and will require unrestricted access to luminaires. Where required Dextra will provide access equipment to carry out repairs at height, should luminaires have been installed in locations where reasonable provision for maintenance access has not been made we reserve the right to supply replacement product only.

If you require any assistance with regards to our products please contact our Customer Services department on 01747 858100.

[DOWNLOAD WARRANTY PDF](#)

## ORDER CODES

### LUMINAIRE

Code	Description	Circuit Wattage	Llm/W
SKY2 053 L80 **	Sky-Light 2, 500mm, 3 Card, 8,247lm, Colour 84	44.6W	184
SKY2 053 L100 **	Sky-Light 2, 500mm, 3 Card, 9,700lm, Colour 84	58.5W	165
SKY2 053 L160 **	Sky-Light 2, 500mm, 3 Card, 15,520lm, Colour 84	93.9W	165
SKY2 104 L100 **	Sky-Light 2, 1000mm, 4 Card, 9,700lm, Colour 84	53.1W	182
SKY2 104 L160 **	Sky-Light 2, 1000mm, 4 Card, 15,520lm, Colour 84	94.3W	164
SKY2 104 L200 **	Sky-Light 2, 1000mm, 4 Card, 19,400lm, Colour 84	120.4W	161
SKY2 106 L120 **	Sky-Light 2, 1000mm, 6 Card, 11,640lm, Colour 84	64.1W	181
SKY2 106 L160 **	Sky-Light 2, 1000mm, 6 Card, 15,520lm, Colour 84	89.1W	174
SKY2 106 L200 **	Sky-Light 2, 1000mm, 6 Card, 19,400lm, Colour 84	112.9W	171
SKY2 106 L240 **	Sky-Light 2, 1000mm, 6 Card, 23,280lm, Colour 84	137.0W	169
SKY2 106 L320 **	Sky-Light 2, 1000mm, 6 Card, 31,040lm, Colour 84	196.1W	158
SKY2 156 L120 **	Sky-Light 2, 1500mm, 6 Card, 11,640lm, Colour 84	64.1W	181
SKY2 156 L160 **	Sky-Light 2, 1500mm, 6 Card, 15,520lm, Colour 84	89.1W	174
SKY2 156 L200 **	Sky-Light 2, 1500mm, 6 Card, 19,400lm, Colour 84	112.9W	171
SKY2 156 L320 **	Sky-Light 2, 1500mm, 6 Card, 31,040lm, Colour 84	196.1W	158
SKY2 156 L240 **	Sky-Light 2, 1500mm, 6 Card, 23,280lm, Colour 84	137.0W	169
SKY2 159 L400 **	Sky-Light 2, 1500mm, 9 Card, 38,800lm, Colour 84	243.3W	159
SKY2 159 L480 **	Sky-Light 2, 1500mm, 9 Card, 46,560lm, Colour 84	282.6W	164

Llm figures are based on OA Optic.

\*\*Please add Optic suffix required

### OPTIC

Code	Description
OA	Open Area
HR	High Rack

UHR	Ultra High Rack
-----	-----------------

### DIMMING

Code	Description
A	DALI Digital Addressable Lighting Interface
S	Switch Dimming
D	DSI Digital Dimming
H	HFR Analogue 1-10v
C	Bi-Level Dimming For Standalone Switched Sensor

### CONTROL

Code	Description
RLI	Reacta-Link, Wireless Enabled Luminaire
RLS	Reacta-Link Wireless, Presence, 2.5-4M*

### EMERGENCY

Code	Description
LE3	Lithium Standard Emergency 3 Hour
LS3	Lithium Selftest Emergency 3 Hour
LA3	Lithium Autotest Emergency 3 Hour
LSTR	Lithium Reacta-Link Emergency 3 Hour
CB	Central Battery, Please specify 50v, 110v or 230v when ordering

### MISCELLANEOUS

Code	Description
C**	Select Colour Temperature and Rendering; C83, C84, C85, C865, C93, C94