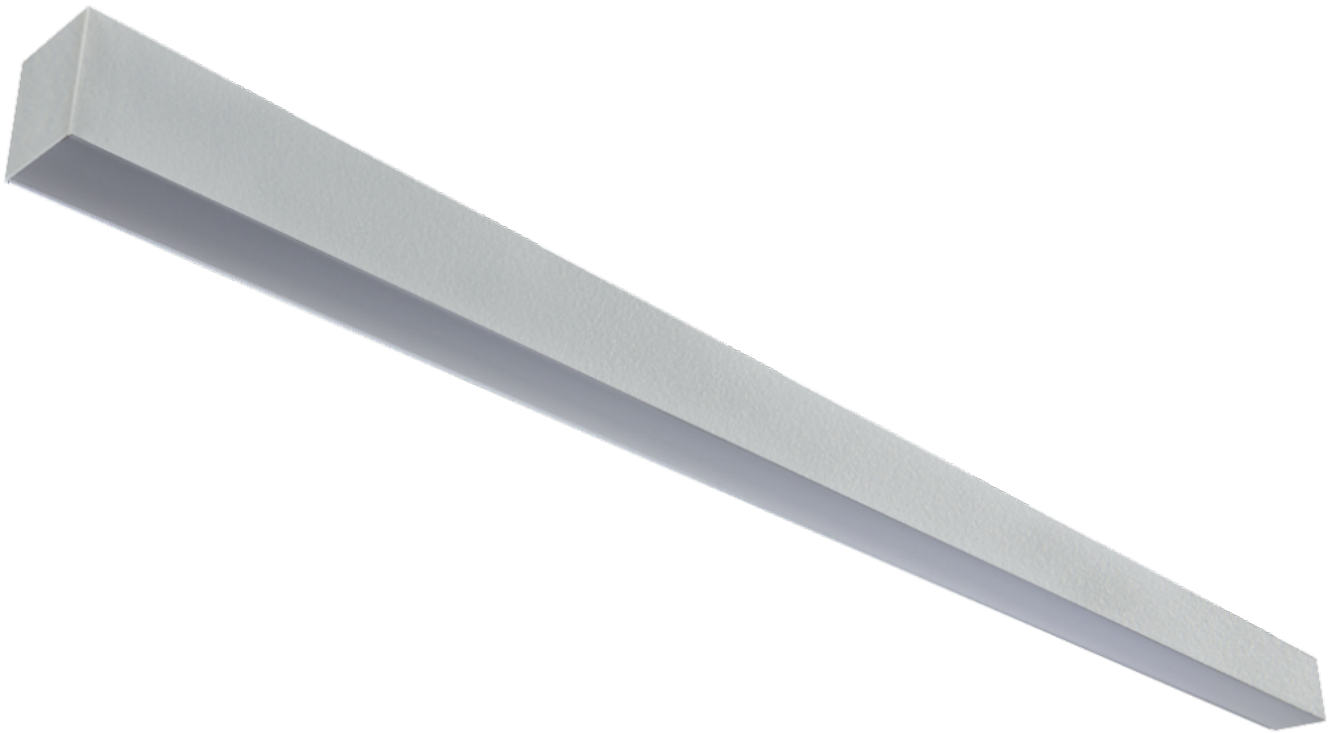


PRODUCT SPECIFICATION

RUNWAY SURFACE/SUSPENDED



INTRODUCTION

Where lighting must fulfil both architectural and practical purposes the Runway Surface Suspended provides a slim line appearance with an extruded aluminium housing available in three colour options, offering the versatility of a range of lengths and lumen outputs as well as bi-directional variants ensuring that you can create a layout that enhances any space creating an attractive environment for workers or to entice customers.

This flexibility is further enhanced with optional integral emergency, white tunable, dimming, integral sensors and two optic styles, a minimalist opal finish or microprism for glare compliance for use in office and school areas. The Runway also incorporates the latest mid power LEDs ensuring optimal energy efficiency with minimal need for maintenance over the course of its lifetime.

The Runway is also available in a wide range of variants including continuous, recessed and pendant cross or square shapes.

- CE
- IP20
- L90 / 60K OPERATING HOURS
- 3 STEP MACADAM ELLIPSE

APPLICATION

- Education

- Office
- Retail

SPECIFICATION

CONSTRUCTION

- Extruded aluminium trunking in grey, black or white.
- Die cast aluminium end caps.
- High transmission polycarbonate diffuser in opal or microprism variants.

PERFORMANCE

- Available in a wide range of lumen packages including glare compliant variants, L14, L22 and L29.
- LM80 verified: 90% LED lumen maintenance at 60,000 operating hours.
- Standard Deviation Colour Match – 3 Step Macadam’s Ellipse.

CONTROL

- Available with DALI, Digital Dimming, Analogue Dimming and Switch Dimming.
- Integral presence and daylight regulations sensor including wirelessly linked versions.
- White Tunable options

EMERGENCY

- Available with optional standard, self test and autotest integral emergency with lithium batteries for extended warranty and lifetime.

INSTALLATION

- Gear trays supplied with quick release clips for ease of installation into the housing.
- Suitable for surface mount or suspended installation

VARIATIONS

- Optional bi-directional output, 75% down 25% up.
- Grey, Black or White finishes.
- Opal or Microprism diffuser.

IMAGES

PRODUCT IMAGES



Runway Surface/Suspended in Grey



Runway Surface/Suspended in Grey



The Runway - black



The Runway - white



Runway Cross in Grey



The Runway Microprism Diffuser

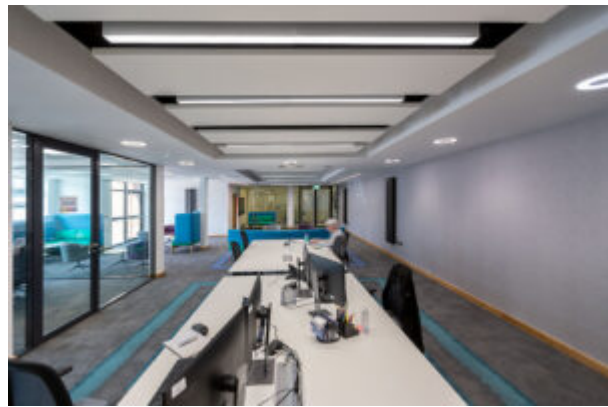


The Runway Opal Diffuser

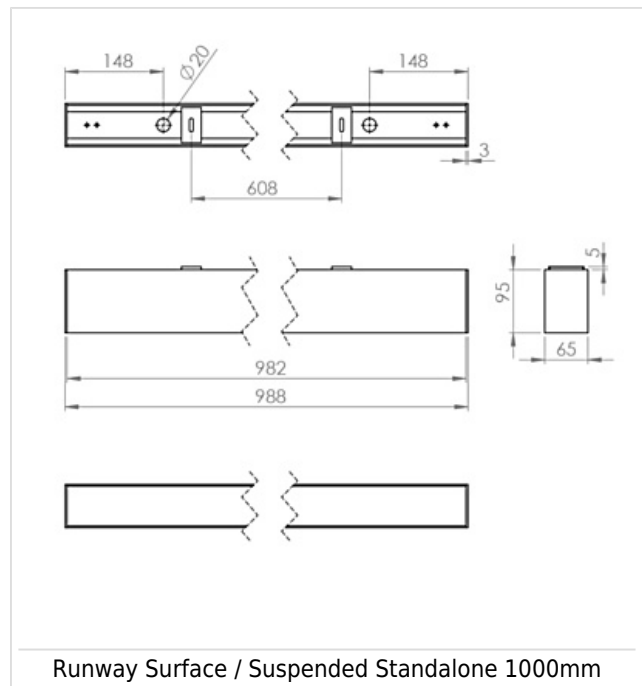
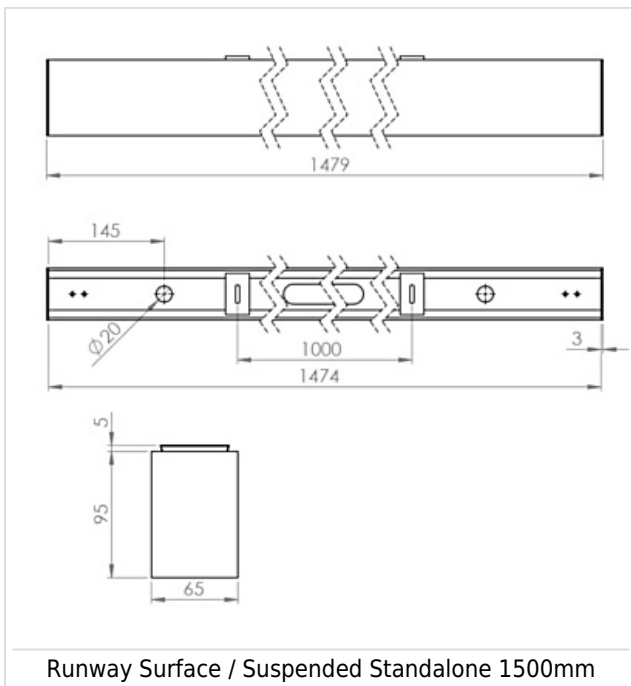


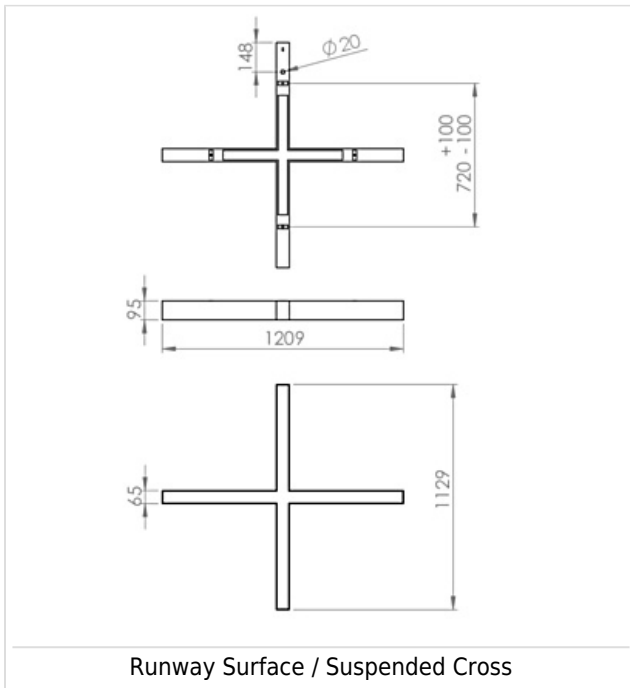
Runway Sensor

PROJECT IMAGES



TECHNICAL





WARRANTY

At Dextra our commitment to service has been at the forefront throughout our history spanning more than forty years in the UK lighting market. Our service ethos extends beyond design and delivery, we believe supporting your installation throughout the warranty period is equally crucial, whilst the strength and longevity of Dextra Group provides peace of mind that our warranty will be supported throughout.

The Dextra range is supplied with a five year warranty commencing from the date of delivery. During the first three years defects will be repaired on site and the warranty will include both parts and labour. For the final two years drivers, emergency modules, wireless modules, sensors and LED circuits will be supplied free of charge to replace defective components, labour and other associated costs are not included.

Certain ranges and components are subject to exemptions:

- Lithium batteries are provided with a three year warranty for parts and labour. Nickel Metal Hydride and Nickel Cadmium batteries are provided with a one year warranty for parts and labour.
- Emergency luminaires including AME LED, EXI LED, EXI2 LED, EXI Track, HBE LED, HBE2 LED, OAT2 LED, OEZ LED and Twinspot with Nickel Metal Hydride batteries are supplied with a one year warranty for parts and labour. Lithium variants of these ranges are supplied with a three year warranty for parts and labour with the exception of the AME2, EXI3, HBE3 and TWS IP65 L7 ranges which are supplied with a one year parts and labour warranty.
- Protec Micro, 7W Fire Rated Downlights and Serenus are provided with a five year replacement luminaire only warranty.
- Controls systems such as standalone sensors, switches, marshalling boxes and cabling are provided with a one year warranty for both parts and labour. DALI control systems are provided with a two year warranty for both parts and labour.
- LEDextra ranges including Glide Power, Glide Mini, Glide RGBW, Colour Glide, Glide In Ground, Glide Pixel and AluLED ranges are supplied with a three year parts or replacement luminaire only warranty.

- LEDEX ranges are supplied with a three year replacement luminaire only warranty.

All warranties are subject to correct use of the product and will be invalidated by misuse, for example incorrect installation, unsuitable environmental conditions or incorrect maintenance. It is the duty of the customer to ensure that all the fault lies with the luminaire prior to requesting replacement parts or site repairs. In the event that no defect is found with the product our costs for attending site will be recharged to the customer and credit will not be issued against returned products. No consequential losses incurred resulting from any defect with our product will be reimbursed.

Given the nature of LED technology a small percentage of LEDs may fail during the lifetime of a luminaire, this does not cause a reduction in lumen output. As such LED luminaires are only deemed to be faulty for warranty purposes when in excess of ten percent of LEDs have failed in a single luminaire

On site repair of products under warranty will be undertaken during normal working hours, 9am to 5pm Monday to Friday, and will require unrestricted access to luminaires. Where required Dextra will provide access equipment to carry out repairs at height, should luminaires have been installed in locations where reasonable provision for maintenance access has not been made we reserve the right to supply replacement product only.

If you require any assistance with regards to our products please contact our Customer Services department on 01747 858100.

[DOWNLOAD WARRANTY PDF](#)

ORDER CODES

LUMINAIRE CODES

Code	Description	Circuit Wattage	Llm/W
Standalone Surface / Suspended			
RWY 1000 L14 MP GY	Runway, 1000mm, 871llm, Microprism, Grey, Colour 84	9.9W	87
RWY 1000 L20 OP GY	Runway, 1000mm, 1331llm, Opa, Grey, Colour 84	13.2W	100
RWY 1000 L20 MP GY	Runway, 1000mm, 1233llm, Microprism, Grey, Colour 84	13.2W	93
RWY 1000 L30 OP GY	Runway, 1000mm, 2000llm, Opal, Grey, Colour 84	19.3W	103
RWY 1000 L30 MP GY	Runway, 1000mm, 1853llm, Microprism, Grey, Colour 84	19.3W	96
RWY 1500 L22 OP GY	Runway, 1500mm, 1560llm, Opal, Grey, Colour 84	14.3W	109
RWY 1500 L22 MP GY	Runway, 1500mm, 1519llm, Microprism, Grey, Colour 84	14.2W	106
RWY 1500 L30 OP GY	Runway, 1500mm, 2221llm, Opal, Grey, Colour 84	18.6W	119
RWY 1500 L30 MP GY	Runway, 1500mm, 2072llm, Microprism, Grey, Colour 84	18.6W	111
RWY 1500 L45 OP GY	Runway, 1500mm, 3331llm, Opal, Grey, Colour 84	28.3W	128
RWY 1500 L45 MP GY	Runway, 1500mm, 3108llm, Microprism, Grey, Colour 84	26W	119
RWY 1500 L29 BD OP GY	Runway, 1500mm, 2146llm, Bidirectional, Opal, Grey, Colour 84	17.6W	121
RWY 1500 L29 BD MP GY	Runway, 1500mm, 1929llm, Bidirectional, Microprism, Grey, Colour 84	17.3W	111
RWY 1500 L40 BD OP GY	Runway, 1500mm, 2829llm, Bidirectional, Opal, Grey, Colour 84	24W	117
RWY 1500 L40 BD MP GY	Runway, 1500mm, 2660llm, Bidirectional, Microprism, Grey, Colour 84	24W	110
RWY 1500 L60 BD OP GY	Runway, 1500mm, 4244llm, Bidirectional, Opal, Grey, Colour 84	37.7W	123
RWY 1500 L60 BD MP GY	Runway, 1500mm, 3990llm, Bidirectional, Microprism, Grey, Colour 84	34.5W	115

Please refer to the Runway Design Consideration notes in the Technical section prior to placing your order

DIMMING OPTIONS

Code	Description
------	-------------

A	Digital Addressable Lighting Interface (DALI)
S	Switch Dimming
WT	White Tunable, Lumen outputs vary, please contact our sales department for details
C	Bi-Level Dimming for use with standalone switched sensor
D	Digital Dimming (DSI)
H	High Frequency Dimming (Analogue 1-10v)

Please refer to the Runway Design Consideration notes in the Technical section prior to placing your order
 Please click [here](#) for full details on our white tunable offer

LIGHTING CONTROLS

Code	Description
R24H	Reacta 24H, Minihead Daylight and Presence Detection Sensor
EA	Reacta-Air Infra-Red Sensor
RAS	Reacta-Air Bluetooth Sensor
RD	Reacta-Dim
RLS	Reacta-Link presence detection sensor
RLI	Dextra Reacta-Link system

Please refer to the Runway Design Consideration notes in the Technical section prior to placing your order
 Please click [here](#) for full details on our wireless controls.

EMERGENCY

Code	Description
LE3	Lithium Emergency 3 Hour
LS3	Lithium Selftest
LA3	Lithium Autotest
LSTR	Lithium Emergency Reacta-Link

Please refer to the Runway Design Consideration notes in the Technical section prior to placing your order

MISCELLANEOUS

Code	Description
WH	White Finish
BL	Black Finish
RWY SUSP 3M	Runway 3M suspension kit (one drop, two kits required per luminaire)
RWY SMK	Runway Surface Mount Kit
RWY INSTALL KIT	Runway Installation Kit
C83	Colour 83 (other colours available on request)

Please refer to the Runway Design Consideration notes in the Technical section prior to placing your order