



# PRODUCT SPECIFICATION

---

## RUBIX SUSPENDED BI-DIRECTIONAL



---

## INTRODUCTION

---

To complement the recessed and surface range of Rubix luminaires the Rubix Suspended Bi-Directional has now been launched in the Dextra Lighting range.

Utilising the same optic design as the recessed and surface family the Rubix Suspended Bi-Directional offers glare compliance to BSEN12464 and UGR19 or below ensuring it can be used in applications such as offices and classrooms. In common with other members of the Rubix family the optic frame is available in a range of colours and the housing can be supplied in either white or black allowing the appearance to be tailored to suit any corporate theme.

With bi-directional output as standard the Rubix Suspended Bi-Directional ensures that both the working area and the ceiling is effectively lit providing an attractive space. A balanced design also allows for a two point suspension that is both discreet and quick to install.

With both 6 cell 1500mm options, 4 cell 1200mm and continuous run options the performance and appearance of the Rubix is easily customised to a wide range of applications. Continuous run variants are supplied complete with 4 or 6 pole through wiring loom for quick and easy plug and socket connection and are also available with a range of blind units.

As with all members of the Rubix family the Rubix Suspended Bi-Directional is available with a range of sensors and all common emergency and dimming variants as well as a range of lumen outputs ensuring that the performance and function can be tailored to suit your application.

- CE
- IP20
- L90 / 60K OPERATING HOURS
- 3 STEP MACADAM ELLIPSE

---

## APPLICATION

---

- Commercial/Offices
- Education

---

## SPECIFICATION

---

### CONSTRUCTION

- Steel housing powder painted white
- Six or four individual aluminium reflectors depending on lumen output

### PERFORMANCE

- Compliant with UGR 19 requirements in the majority of room sizes.
- LM80 verified: 90% LED lumen maintenance at 60,000 operating hours.
- Standard Deviation Colour Match – 3 Step Macadam's Ellipse.
- Compliant with BSEN 12464 3000 candela limit.
- L2 compliant.
- Bi-Directional distribution with 50% up / down split, downlight only variants are available in our Rubix Suspended range

### EMERGENCY

- Available with standard, self test and autotest emergency options.

### CONTROL

- Available with Digital, DALI and Switch Dimming control gear.
- Available with a range of sensors.

### INSTALLATION

- Two point suspended installation.
- Continuous run variants are supplied with four pole (fixed output versions) or six pole (dimming and autotest versions) wiring looms for quick and simple connection.
- Available with adjustable corner sections allowing continuous to be customised to suit your room layout

### VARIANTS

- Available in both standalone and continuous run variants.
- Available in 1200mm 4 cell and 1500mm 6 cell variants.

---

## IMAGES

---

## PRODUCT IMAGES



The Rubix Suspended 6 Cell



Rubix Suspended with blind plate for continuous run installations



Rubix Suspended - 4 cell and no sensor



Rubix Suspended - 4 cell



The Rubix Suspended in black, 6 cell



Adjustable corner piece

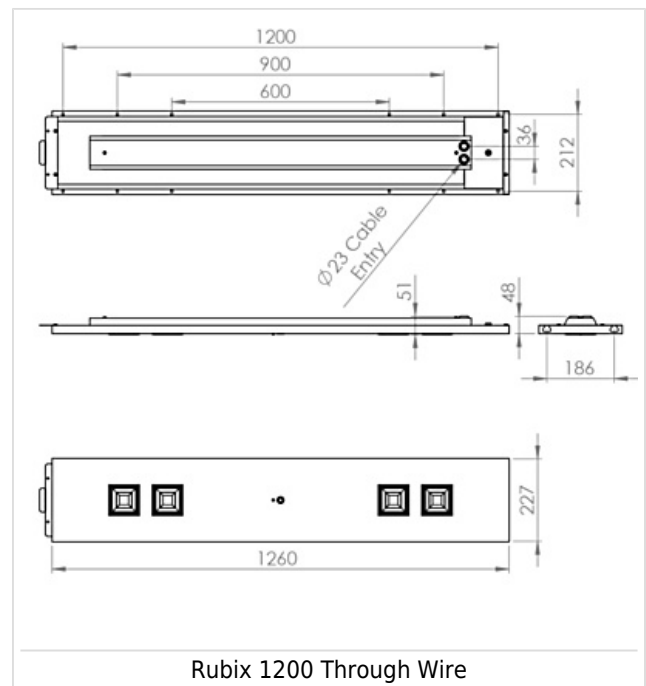
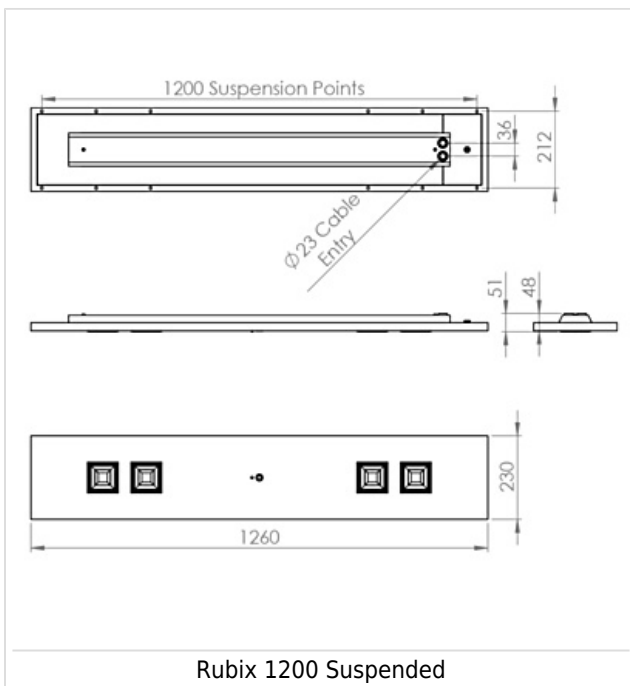
## PROJECT IMAGES

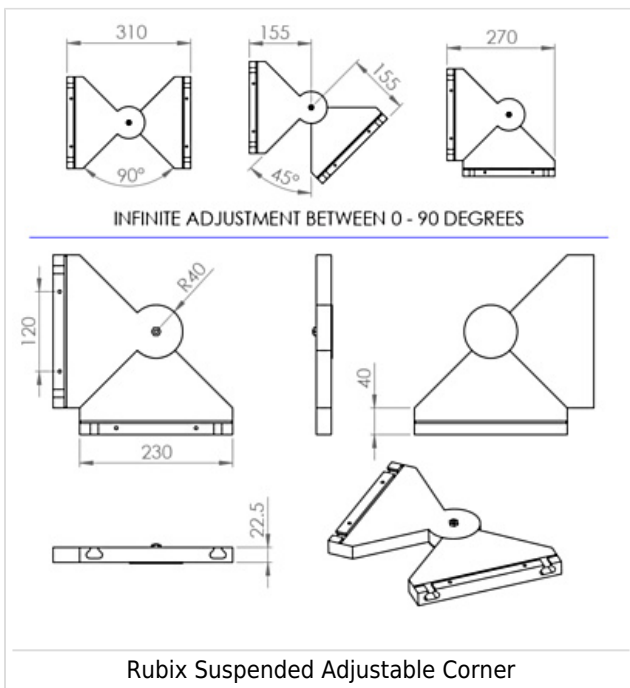
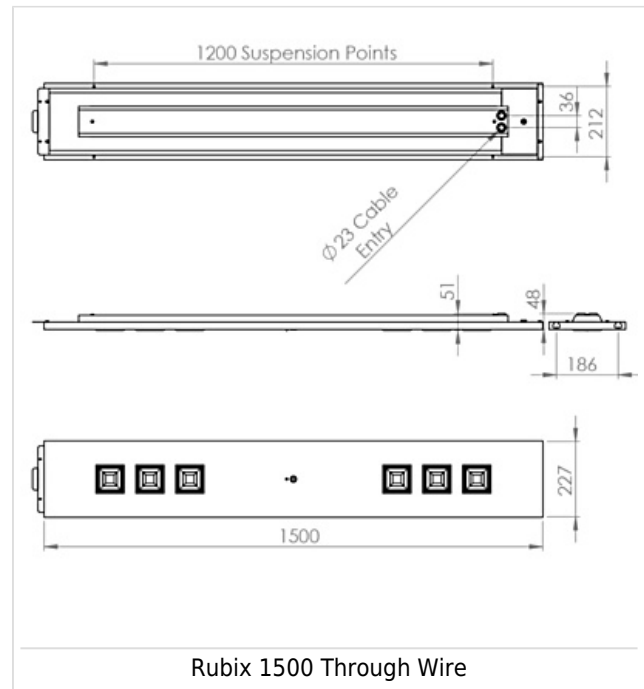
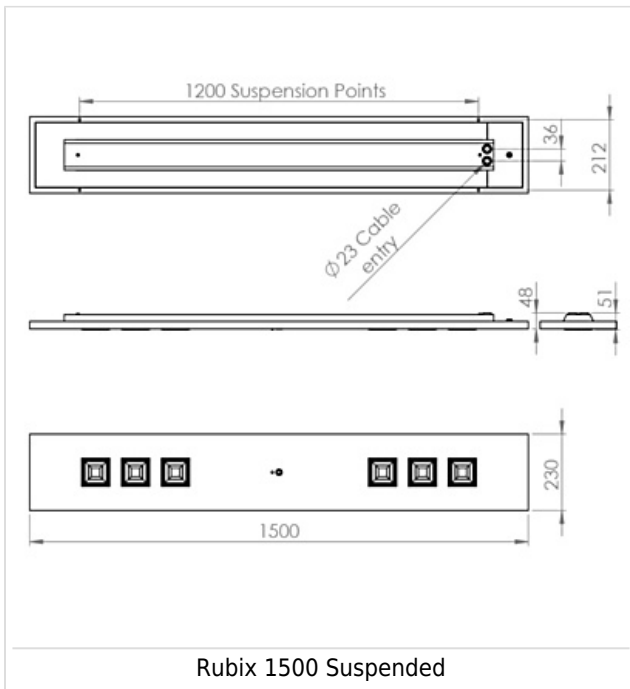
# RUBIX SUSPENDED BI-DIRECTIONAL

## PRODUCT SPECIFICATION



## TECHNICAL





## WARRANTY

5 year warranty on LED product ranges is subject to a maximum of 4000 operating hours per year and only applies where failures exceed the component manufacturers expected failure rate and lumen depreciation.

Dextra products are supplied with a 12 month warranty for any defect that may occur with the product during this time. Any defect will either be repaired on site free of charge or the defective product may be replaced on a chargeable basis and credit given against defective product returned. The course of action taken will be at our discretion and dependent on

the nature of the defect.

The control gear within our high frequency and LED luminaires is further underwritten by our suppliers for a period of up to 5 years in total from the time of purchase. This comprises labour and parts for the first 3 years and free of charge components only for the final 2 years.

PROTEC LED FR 8W GU10 luminaires and all Emergency LED ranges such as LED 3, EXI, HBE, OAT, O EZ, AME, OEH and TWS \* are exempt from the 5 year warranty and are supplied with 1 year warranty only. PROTEC LED COB luminaires are supplied with a three year warranty for replacement luminaires only.

Glide Power, Glide Mini, Glide RGBW, Colour Glide and Glide In Ground ranges are supplied with a three year parts or replacement luminaire only warranty.

All warranties are subject to correct use of the product and will be invalidated by misuse, for example incorrect installation or unsuitable environmental conditions.

It is the duty of the customer to ensure that all relevant tests have been carried out prior to requesting site visits or replacement products, for example replacement of lamps, commissioning of sensors and inspection of external wiring. In the event that no defect is found with the product our costs for attending site will be recharged to the customer and credit will not be issued against returned products.

No consequential losses incurred resulting from any defect with our product will be reimbursed.

Consumable commodities such as lamps, starters and batteries are excluded from these warranty terms. Batteries are supplied with a twelve month warranty only.

5 year warranty on LED product ranges is subject to a maximum of 4000 operating hours per year and only applies where failures exceed the component manufacturers expected failure rate and lumen depreciation.

If you require any assistance with regards to our products please do not hesitate to contact our Customer Services department on 01747 858100.

\*The LED4 Emergency LED range is supplied with a three year battery warranty and 5 year luminaire warranty.

## ORDER CODES

### LUMINAIRE CODES

Code	Description	Circuit Wattage Llm/W	
Rubix Suspended Standalone			
RBXBD L40 C84	Rubix Suspended Standalone, 4 cell 1200mm, Bi-Directional, 3140lm (50% Down, 50% Up), Opal Cell Surround, Colour 84	24.7W	127
RBXBD L60 C84	Rubix Suspended Standalone, 6 cell 1500mm Bi-Directional, 5010lm (50% Down, 50% Up), Opal Cell Surround, Colour 84	40.5W	123
Comes complete with 3M suspension kit.			
Rubix Suspended Continuous Run			
RBXBD L40 ST C84	Rubix Continuous Start of Run, 4 cell 1200mm, Bi-Directional, 3140lm (50% Down, 50% Up), Opal Cell Surround, Colour 84	24.7W	127
RBXBD L40 TW C84	Rubix Continuous Through Wire, 4 cell 1200mm, Bi-Directional, 3140lm (50% Down, 50% Up), Opal Cell Surround, Colour 84	24.7W	127
RBXBD L40 ER C84	Rubix Continuous End of Run, 4 cell 1200mm, Bi-Directional, 3140lm (50% Down, 50% Up), Opal Cell Surround, Colour 84	24.7W	127

RBXBD L60 ST C84	Rubix Continuous Start of Run, 6 cell 1500mm, Bi-Directional, 5010lm (50% Down, 50% Up), Opal Cell Surround, Colour 84	40.5W	123
RBXBD L60 TW C84	Rubix Continuous Through Wire, 6 cell 1500mm, Bi-Directional, 5010lm (50% Down, 50% Up), Opal Cell Surround, Colour 84	40.5W	123
RBXBD L60 ER C84	Rubix Continuous End of Run, 6 cell 1500mm, Bi-Directional, 5010lm (50% Down, 50% Up), Opal Cell Surround, Colour 84	40.5W	123

Continuous run versions are supplied with fixed output and 6 pole for dimming variants. DALI dimmable and Autotest variants will share a common DALI pair.

RBXBD COR TW	Rubix adjustable corner
RBXBD BLIND 1260 TW	Rubix Suspended Continuous Run, 1260mm, 6 pole through wire blind unit
RBXBD BLIND 1500 TW	Rubix Suspended Continuous Run, 1500mm, 6 pole through wire blind unit
RBXBD EC	Rubix End Cap (please specify one set per run of luminaires).
RBXBD JOINER	Rubix Bidirectional Joining Kit (required to connect End of Run to Start of Run luminaires where new power feeds are required mid run)
P414	3M Suspension Kit

Only required for continuous Run options.

### OPTIC

Code	Description
BL	Blue Cell Surround
OR	Orange Cell Surround
R	Red Cell Surround

Other cell colours are available on request subject to minimum order quantities and extended delivery times

### COLOUR OPTIONS OPTIONS

Code	Description
W	White Body
B	Black Body
GY	Grey Body

### DIMMING OPTIONS

Code	Description
A	Digital Addressable Lighting Interface (DALI)
S	Switch Dimming
C	Bi-Level Dimming for use with standalone switched sensor
D	Digital Dimming (DSI)
H	High Frequency Dimming (Analogue 1-10v)

### LIGHTING CONTROL

Code	Description
R24H	Reacta 24H, Minihead Daylight and Presence Detection Sensor
EA	Reacta-Air Wireless linking sensor, daylight regulation and presence detection.
RLI	Dextra Reacta-Link system
RLS	Reacta-Link daylight and presence detection sensor

Please click [here](#) for full details on our wireless controls.

Only available within the luminaire, one required per luminaire.

### EMERGENCY

Code	Description
E3	3 Hour Integral Emergency
ST3	Self Test
AT3	Autotest Emergency
STR	Emergency Reacta-Link



CB230 Central Battery 230v Changeover Module

---

## MISCELLANEOUS

Code	Description
C34998 & C3793	1M 6 Pole Blue / Black Lead and Besa Connection Plate
C34997 & C3792	1M 4 Pole Lead and Besa Connection Plate
C34996 & C3791	1M 3 Pole Lead and Besa Connection Plate