



PRODUCT SPECIFICATION

RUBIX SUSPENDED



INTRODUCTION

Utilising the same optic design as the recessed and surface family the Rubix Suspended offers glare compliance to BSEN12464 and UGR19 or below ensuring it can be used in applications such as offices and classrooms whilst matching with the Rubix family allowing a common luminaire design to be used across entire installations. In common with other members of the Rubix family the optic frame is available in a range of colours and the housing can be supplied in either white or black allowing the appearance to be tailored to suit any corporate theme.

The Rubix Suspended is available with 6 cell 1500mm options, 8 cell 1800mm and continuous run options. Continuous run variants are supplied complete with a 6 pole through wiring loom for quick and easy plug and socket connection and are also available with a range of blind units.

As with all members of the Rubix family the Rubix suspended is available with a range of sensors and integral lithium emergency and dimming variants as well as a range of lumen outputs ensuring that the performance and function can be tailored to suit your application. Wireless dimming and control can be offered with our Reacta-Dim system and Reacta-Link options are also available where web based control and reporting of luminaires is required. Where Bi-Directional output is required please see our Rubix Suspended Bi-Directional range.

- CE
- IP20
- L90 / 60K OPERATING HOURS
- 3 STEP MACADAM ELLIPSE

APPLICATION

- Commercial/Offices
- Education

SPECIFICATION

CONSTRUCTION

- Steel housing powder painted white
- Six or four individual aluminium reflectors depending on lumen output

PERFORMANCE

- Compliant with UGR 19 requirements in the majority of room sizes.
- Standard Deviation Colour Match – 3 Step Macadam’s Ellipse.
- Compliant with BSEN 12464 3000 candela limit.
- L2 compliant.
- Downlight output only, bi-directional variants are available in the Rubix Suspended Bi-Directional range

EMERGENCY

- Available with optional standard, self test and autotest integral emergency with lithium batteries for extended warranty and lifetime.

CONTROL

- Available with Digital, DALI and Switch Dimming control gear.
- Available with a range of sensors including wirelessly linked versions allowing for grouping of luminaires and wall switches

INSTALLATION

- Two point suspended installation.
- Continuous run variants are supplied with four pole (fixed output versions) or six pole (dimming and autotest versions) wiring looms for quick and simple connection.
- Available with adjustable corner sections allowing continuous to be customised to suit your room layout

VARIANTS

- Available in both standalone and continuous run variants.
- Available in 1200mm 4 cell and 1500mm 6 cell variants.

IMAGES

PRODUCT IMAGES



The Rubix Suspended 6 Cell



The Rubix Suspended 8 Cell



Rubix Suspended with blind plate for continuous run installations



The Rubix Suspended in black, 6 cell

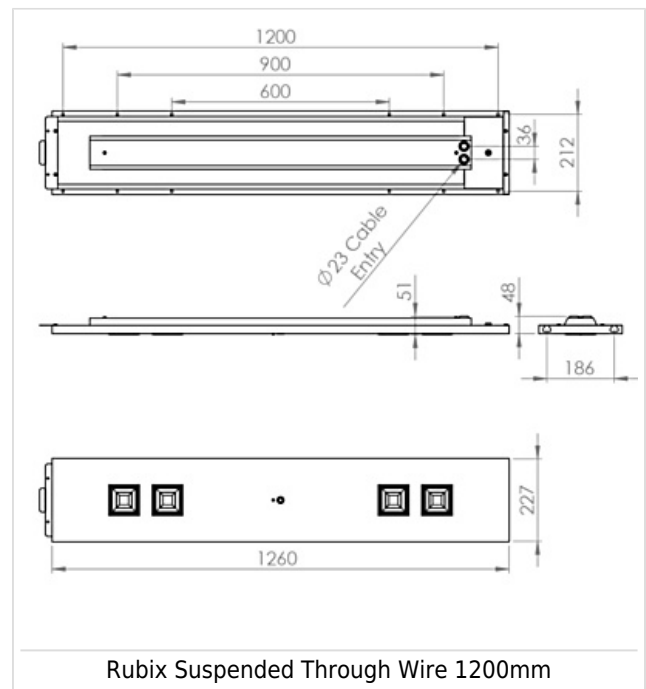
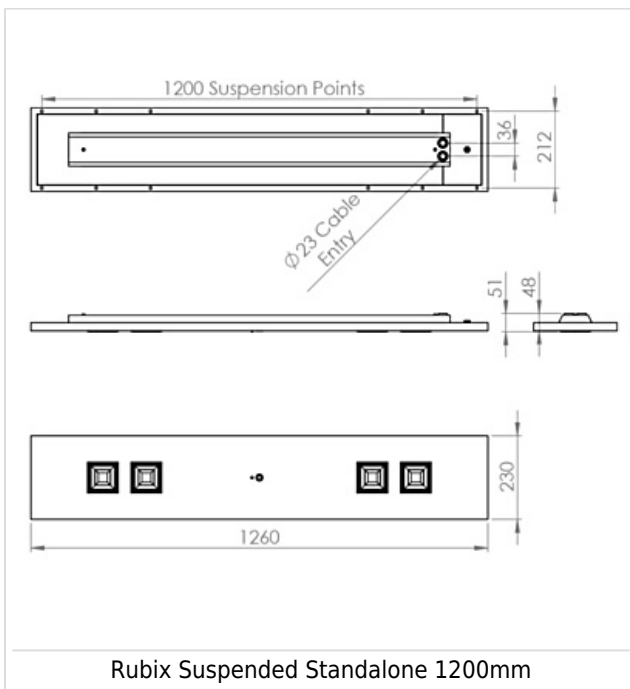


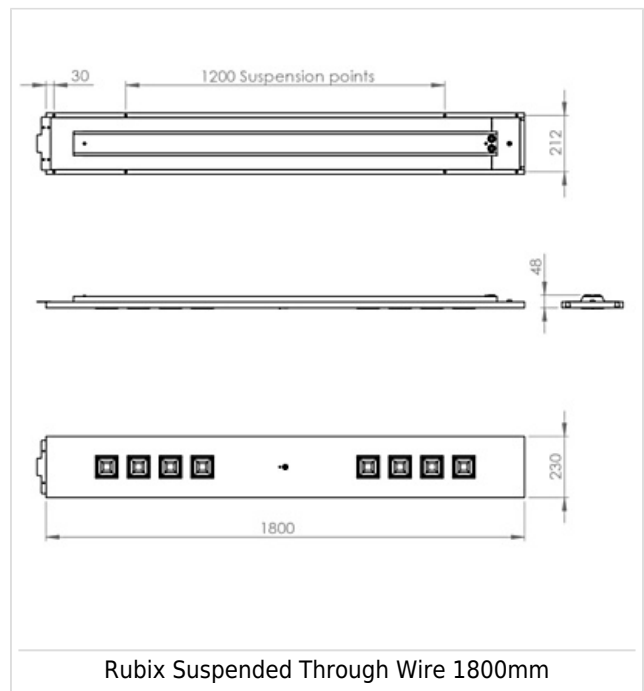
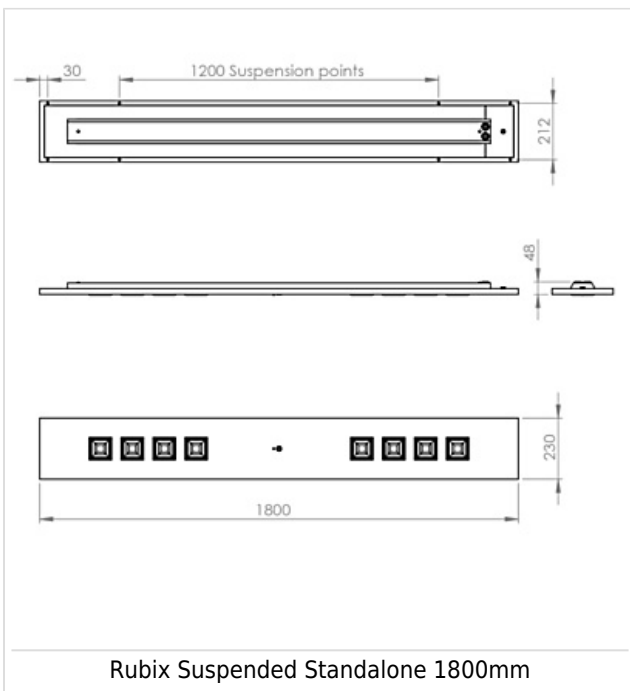
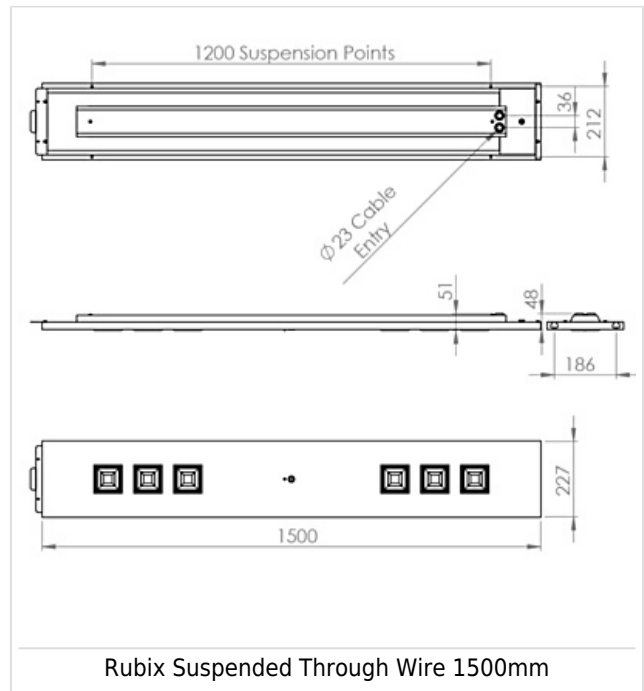
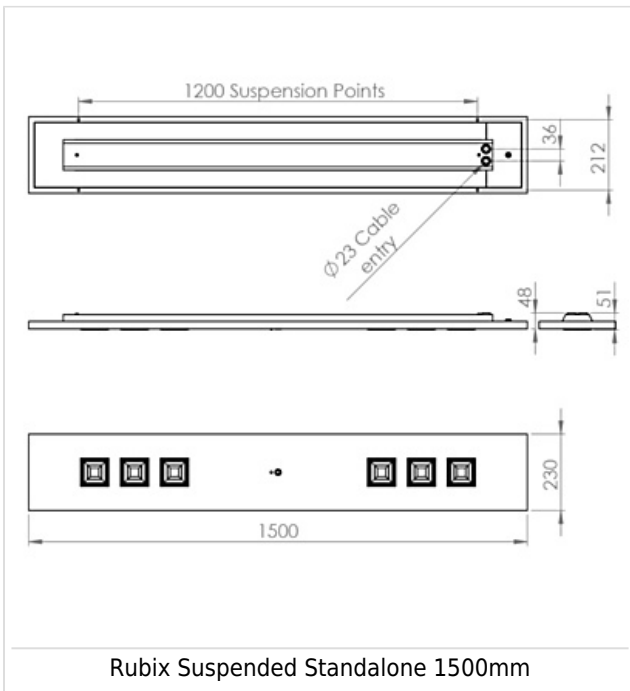
Adjustable corner piece

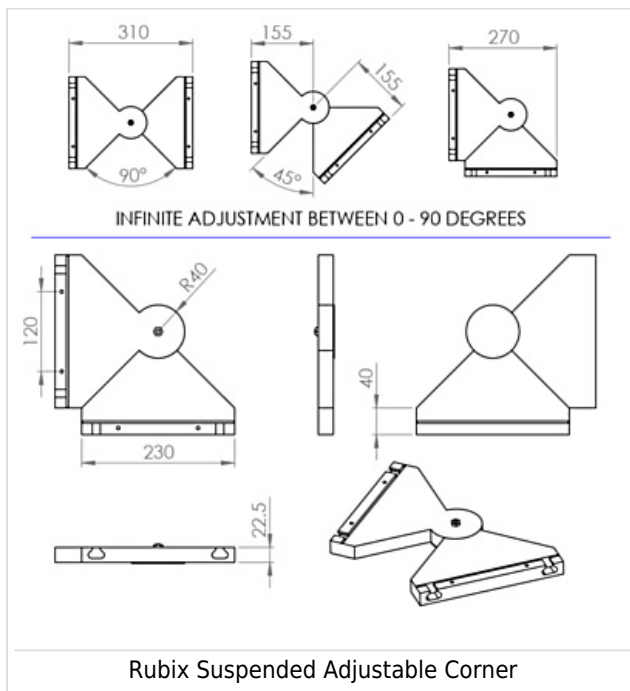
PROJECT IMAGES



TECHNICAL







WARRANTY

At Dextra our commitment to service has been at the forefront throughout our history spanning more than forty years in the UK lighting market. Our service ethos extends beyond design and delivery, we believe supporting your installation throughout the warranty period is equally crucial, whilst the strength and longevity of Dextra Group provides peace of mind that our warranty will be supported throughout.

The Dextra range is supplied with a five year warranty commencing from the date of delivery. During the first three years defects will be repaired on site and the warranty will include both parts and labour. For the final two years drivers, emergency modules, wireless modules, sensors and LED circuits will be supplied free of charge to replace defective components, labour and other associated costs are not included.

Certain ranges and components are subject to exemptions:

- Lithium batteries are provided with a three year warranty for parts and labour. Nickel Metal Hydride and Nickel Cadmium batteries are provided with a one year warranty for parts and labour.
- Emergency luminaires including AME LED, EXI LED, EXI2 LED, EXI Track, HBE LED, HBE2 LED, OAT2 LED, OEZ LED and Twinspot with Nickel Metal Hydride batteries are supplied with a one year warranty for parts and labour. Lithium variants of these ranges are supplied with a three year warranty for parts and labour with the exception of the AME2, EXI3, HBE3 and TWS IP65 L7 ranges which are supplied with a one year parts and labour warranty.
- Protec Micro, 7W Fire Rated Downlights and Serenus are provided with a five year replacement luminaire only warranty.
- Controls systems such as standalone sensors, switches, marshalling boxes and cabling are provided with a one year warranty for both parts and labour. DALI control systems are provided with a two year warranty for both parts and labour.
- LEDextra ranges including Glide Power, Glide Mini, Glide RGBW, Colour Glide, Glide In Ground, Glide Pixel and AluLED ranges are supplied with a three year parts or replacement luminaire only warranty.
- LEDEX ranges are supplied with a three year replacement luminaire only warranty.

All warranties are subject to correct use of the product and will be invalidated by misuse, for example incorrect installation, unsuitable environmental conditions or incorrect maintenance. It is the duty of the customer to ensure that all the fault lies with the luminaire prior to requesting replacement parts or site repairs. In the event that no defect is found with the product our costs for attending site will be recharged to the customer and credit will not be issued against returned products. No consequential losses incurred resulting from any defect with our product will be reimbursed.

Given the nature of LED technology a small percentage of LEDs may fail during the lifetime of a luminaire, this does not cause a reduction in lumen output. As such LED luminaires are only deemed to be faulty for warranty purposes when in excess of ten percent of LEDs have failed in a single luminaire

On site repair of products under warranty will be undertaken during normal working hours, 9am to 5pm Monday to Friday, and will require unrestricted access to luminaires. Where required Dextra will provide access equipment to carry out repairs at height, should luminaires have been installed in locations where reasonable provision for maintenance access has not been made we reserve the right to supply replacement product only.

If you require any assistance with regards to our products please contact our Customer Services department on 01747 858100.

[DOWNLOAD WARRANTY PDF](#)

ORDER CODES

LUMINAIRE

Code	Description	Circuit Wattage	Llm/W
Rubix Suspended Standalone			
RBX L30	Rubix Standalone, 1500mm, 2,340lm, 6 Opal Cell, Colour 84	19.6W	119
RBX L40	Rubix Standalone, 1800mm, 3,120lm, 8 Opal Cell, Colour 84	26.1W	119

Rubix Suspended Continuous Run

RBX L30 ST	Rubix Continuous Start, 1500mm, 2,340lm, 6 Opal Cell, Colour 84	19.6W	119
RBX L30 TW	Rubix Continuous Through, 1500mm, 2,340lm, 6 Opal Cell, Colour 84	19.6W	119
RBX L30 ER	Rubix Continuous End, 1500mm, 2,340lm, 6 Opal Cell, Colour 84	19.6W	119
RBX L40 ST	Rubix Continuous Start, 1800mm, 3,120lm, 8 Opal Cell, Colour 84	26.1W	119
RBX L40 TW	Rubix Continuous Through, 1800mm, 3,120lm, 8 Opal Cell, Colour 84	26.1W	119
RBX L40 ER	Rubix Continuous End, 1800mm, 3,120lm, 8 Opal Cell, Colour 84	26.1W	119

Please refer to the Rubix Suspended Design Consideration notes in technical prior to placing your order

OPTIC

Code	Description
BK	Black Cell
BL	Blue Cell
OR	Orange Cell
R	Red Cell

Please refer to the Rubix Suspended Design Consideration notes in technical prior to placing your order

COLOUR

Code	Description
W	White Finish

B	Black Finish
GY	Grey Finish

DIMMING

Code	Description
A	DALI Digital Addressable Lighting Interface
S	Switch Dimming
D	DSI Digital Dimming
H	HFR Analogue 1-10v
C	Bi-Level Dimming For Standalone Switched Sensor

CONTROL

Code	Description
R24H	Reacta 24H, Minihead Daylight and Presence Detection Sensor, 2.5-4M
EA	Reacta-Air Infra Red, Wireless, Presence & Daylight, 2.5-4M
RAS	Reacta-Air Bluetooth, Wireless, Presence & Daylight, 2.5-4M
RLI	Reacta-Link, Wireless Enabled Luminaire
RLS	Reacta-Link Wireless, Presence, 2.5-4M
RD	Reacta-Dim, Wireless Dimming / Switching

Please refer to the Rubix Suspended Design Consideration notes in technical prior to placing your order

EMERGENCY

Code	Description
LE3	Lithium Standard Emergency 3 Hour
LS3	Lithium Selftest Emergency 3 Hour
LA3	Lithium Autotest Emergency 3 Hour
LSTR	Lithium Reacta-Link Emergency 3 Hour
CB	Central Battery, Please specify 50v, 110v or 230v when ordering

Please refer to the Rubix Suspended Design Consideration notes in technical prior to placing your order

MISCELLANEOUS

Code	Description
C**	Select Colour Temperature and Rendering; C83, C84, C85, C865, C93, C94
RBXBD COR TW	Rubix adjustable corner
RBXBD BLIND 1260 TW	Rubix Continuous Run, 1260mm, 6 pole through wire blind unit
RBXBD BLIND 1500 TW	Rubix Continuous Run, 1500mm, 6 pole through wire blind unit
RBXBD EC	Rubix End Cap (please specify one set per run of luminaires).
RBXBD JOINER	Rubix Joining Kit (Used mid run where new power feeds are required)
P414	3M Suspension Kit

Please refer to the Rubix Suspended Design Consideration notes in technical prior to placing your order