



PRODUCT SPECIFICATION

RUBIX SURFACE



INTRODUCTION

For premium office applications the Rubix Surface brings a new level of style and functionality to the market. Nine individual cells with precise optical control allow for spacings up to three by three meters whilst still maintaining 400 lux on the working plane at typical ceiling heights and also providing compliance with UGR 19 in most room sizes and meeting the 3000 candela BSEN 12464 requirement. The main source is complimented by a surrounding diffused back lit halo ensuring that the Rubix Surface combines a unique style with optimum performance.

The halo effect brings new functionality to the Dextra surface range with the ability to individually switch either the 9 cells or the halo allowing for low level background lighting or emergency operation. The Rubix Surface is suitable for surface mount installations but is also available in a wide range of recessed variants if required, please see the recessed product section for more details. A range of presence detection and daylight regulation sensors can also be incorporated into the surrounding trim. All variants of the Rubix are also available with all common dimming and emergency options.

- CE
- IP20
- L90 / 60K OPERATING HOURS
- 3 STEP MACADAM ELLIPSE

APPLICATION

- Commercial/Offices
- Education

SPECIFICATION

CONSTRUCTION

- Steel housing powder painted white.
- Injection moulded high transmission opal halo diffuser.
- Nine semi specular aluminium reflectors.

PERFORMANCE

- Compliant with UGR 19 requirements in the majority of room sizes.
- LM80 verified: 90% LED lumen maintenance at 60,000 operating hours.
- Standard Deviation Colour Match – 3 Step Macadam’s Ellipse.
- Compliant with BSEN 12464 3000 candela limit.
- L2 compliant.

EMERGENCY

- Available with standard, self test and autotest emergency options.

CONTROL

- Available with Digital, DALI and Switch Dimming control gear.
- 9 Cells and Halo individually switched to all for low level background and emergency lighting.

INSTALLATION

- Suitable for surface mount installation.

IMAGES

PRODUCT IMAGES

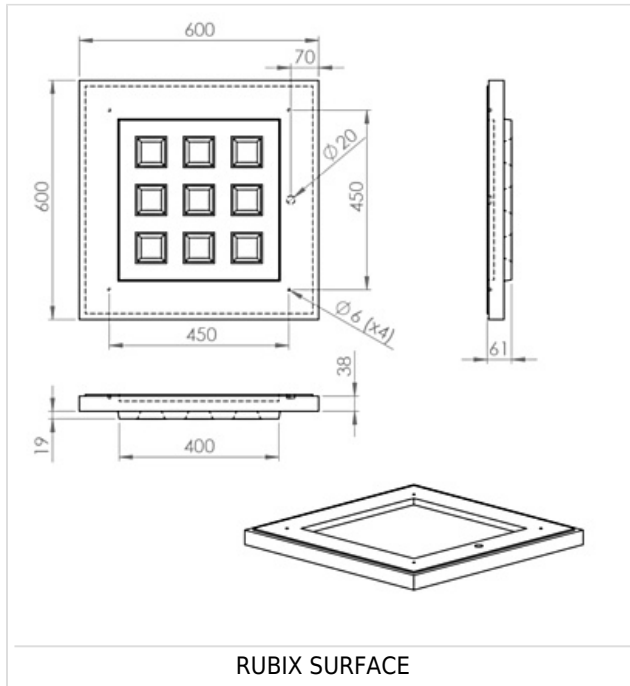


Rubix Surface with clear cells



Rubix Surface with clear cells

TECHNICAL



WARRANTY

At Dextra our commitment to service has been at the forefront throughout our history spanning more than forty years in the UK lighting market. Our service ethos extends beyond design and delivery, we believe supporting your installation throughout the warranty period is equally crucial, whilst the strength and longevity of Dextra Group provides peace of mind that our warranty will be supported throughout.

The Dextra range is supplied with a five year warranty commencing from the date of delivery. During the first three years defects will be repaired on site and the warranty will include both parts and labour. For the final two years drivers, emergency modules, wireless modules, sensors and LED circuits will be supplied free of charge to replace defective components, labour and other associated costs are not included.

Certain ranges and components are subject to exemptions:

- Lithium batteries are provided with a three year warranty for parts and labour. Nickel Metal Hydride and Nickel Cadmium batteries are provided with a one year warranty for parts and labour.
- Emergency luminaires including AME LED, EXI LED, EXI2 LED, EXI Track, HBE LED, HBE2 LED, OAT2 LED, OEZ LED and Twinspot with Nickel Metal Hydride batteries are supplied with a one year warranty for parts and labour. Lithium variants of these ranges are supplied with a three year warranty for parts and labour.
- Protec Micro, Fire Rated Downlights and Serenus are provided with a five year replacement luminaire only warranty.
- Controls systems such as standalone sensors, switches, marshalling boxes and cabling are provided with a one year warranty for both parts and labour. DALI control systems are provided with a two year warranty for both parts and labour.

- LEDextra ranges including Glide Power, Glide Mini, Glide RGBW, Colour Glide, Glide In Ground, Glide Pixel and AluLED ranges are supplied with a three year parts or replacement luminaire only warranty.
- LEDEX ranges are supplied with a three year replacement luminaire only warranty.

All warranties are subject to correct use of the product and will be invalidated by misuse, for example incorrect installation, unsuitable environmental conditions or incorrect maintenance. It is the duty of the customer to ensure that all the fault lies with the luminaire prior to requesting replacement parts or site repairs. In the event that no defect is found with the product our costs for attending site will be recharged to the customer and credit will not be issued against returned products. No consequential losses incurred resulting from any defect with our product will be reimbursed.

Given the nature of LED technology a small percentage of LEDs may fail during the lifetime of a luminaire, this does not cause a reduction in lumen output. As such LED luminaires are only deemed to be faulty for warranty purposes when in excess of ten percent of LEDs have failed in a single luminaire

On site repair of products under warranty will be undertaken during normal working hours, 9am to 5pm Monday to Friday, and will require unrestricted access to luminaires. Where required Dextra will provide access equipment to carry out repairs at height, should luminaires have been installed in locations where reasonable provision for maintenance access has not been made we reserve the right to supply replacement product only.

If you require any assistance with regards to our products please contact our Customer Services department on 01747 858100.

[DOWNLOAD WARRANTY PDF](#)

ORDER CODES

LUMINAIRE CODES

Code	Description	Circuit	Wattage	Llm/W
600x600mm				
RBXS L32	Rubix LED, Opal, Surface, 600x600mm, 2899lm, Black Cell Surround, Colour 84	22.9W		126
RBXS L40	Rubix LED, Opal, Surface, 600x600mm, 3406lm, Black Cell Surround, Colour 84	26.3W		129
RBXS L45	Rubix LED, Opal, Surface, 600x600mm, 3914lm, Black Cell Surround, Colour 84	30.1W		130

Custom housing sizes available on request.

OPTICS

Code	Description
BK	Black Cell Surround
BL	Blue Cell Surround
OR	Orange Cell Surround
R	Red Cell Surround
CL	Opal Cell Surround

Other cell colours are available on request subject to minimum order quantities and extended delivery times

COLOUR OPTIONS

Code	Description
W	White Body
B	Black Body
GY	Grey Body

DIMMING OPTIONS

Code	Description
A	Digital Addressable Lighting Interface (DALI)
S	Switch Dimming
C	Bi-Level Dimming for use with standalone switched sensor
D	Digital Dimming (DSI)
H	High Frequency Dimming (Analogue 1-10v)

DALI luminaires utilise two drivers so require two addresses per luminaire.

LIGHTING CONTROL

Code	Description
R24H	Reacta 24H, Minihead Daylight and Presence Detection Sensor
EA	Reacta-Air Infra-Red Sensor
RAS	Reacta-Air Bluetooth Sensor

EMERGENCY

Code	Description
LE3	Lithium Emergency 3 Hour
LS3	Lithium Selftest
LA3	Lithium Autotest
CB	Please specify 50v, 110v or 230v when ordering