

PRODUCT SPECIFICATION

RUBIX FLUSH



INTRODUCTION

To complement the Rubix Recessed we are pleased to announce the launch of the Rubix Flush, utilising the same Rubix optic design but without the surrounding halo offering a minimalist appearance that sits flush with the ceiling. The nine individual cells offer precise optical control allowing for spacing's up to three by three meters whilst still maintaining 400 lux on the working plane at typical ceiling heights and also providing compliance with UGR 19 and the 3000 candela BSEN 12464 requirement.

The metal surround provided with the Rubix range can be easily modified to suit a wide range of ceiling variants such as exposed T, concealed grid or unusual sizes such as 300mm x 300mm, 500mm x 500mm or 750mm x 750mm, this is combined with a wide range of lumen outputs and dimming and lithium emergency variants ensuring that the Rubix can be customised to your specific requirements. Wireless dimming and control can be offered with our Reacta-Dim system and Reacta-Link options are also available where web based control and reporting of luminaires is required.

- CE
- IP20
- L90 / 60K OPERATING HOURS
- 3 STEP MACADAM ELLIPSE

APPLICATION

- Commercial/Offices
- Education

SPECIFICATION

CONSTRUCTION

- Steel housing powder painted white.
- Nine semi specular aluminium reflectors with opal frame.

PERFORMANCE

- UGR19 applies only to L32 and L40.
- LM80 verified: 90% LED lumen maintenance at 60,000 operating hours.
- Standard Deviation Colour Match – 3 Step Macadam’s Ellipse.
- Compliant with BSEN 12464 3000 candela limit.
- L2 compliant.

EMERGENCY

- Available with optional standard, self test and autotest integral emergency with lithium batteries for extended warranty and lifetime.

CONTROL

- Available with Digital, DALI and Switch Dimming control gear.

INSTALLATION

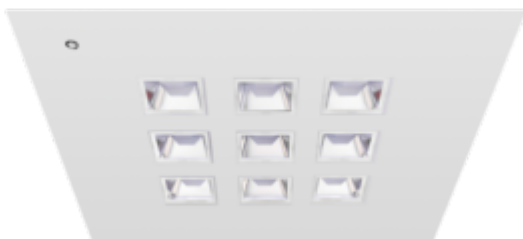
- Lay in and pull up variants available for compatibility with a wide range of ceiling types.

LIGHTING CONTROLS

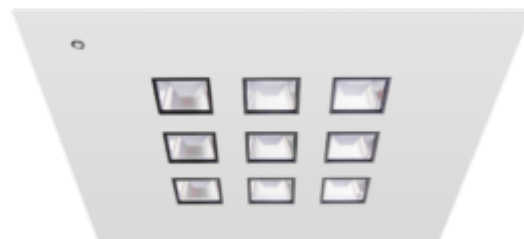
- R24H sensor
- R37 sensor

IMAGES

PRODUCT IMAGES



Rubix Flush Opal Cells



Rubix Flush Black Cells



Rubix Flush Blue Cells



Rubix Flush Red Cells



Rubix Flush Orange Cells



Rubix Flush 1200x600 Opal Cells



Rubix Flush 1200x600 Black Cells

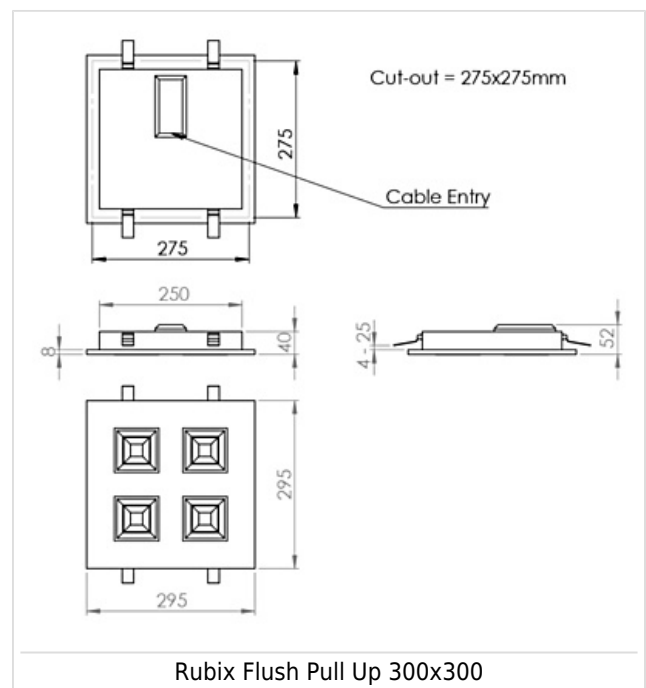
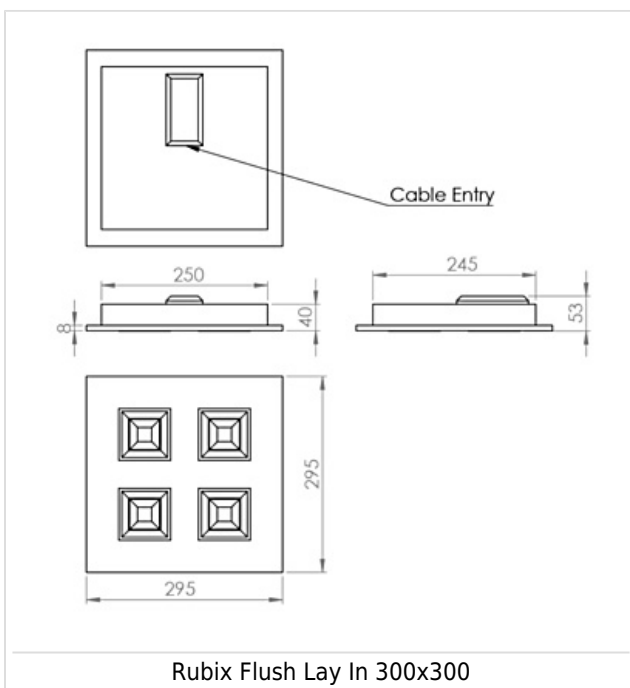


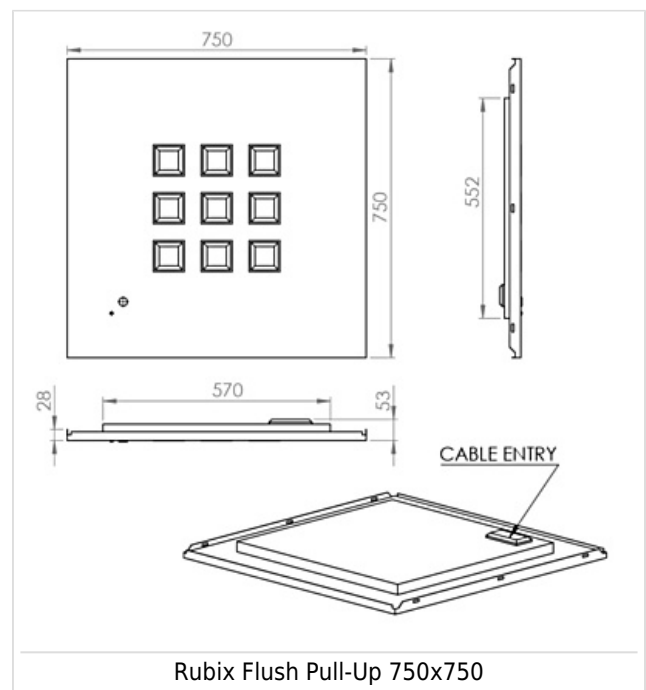
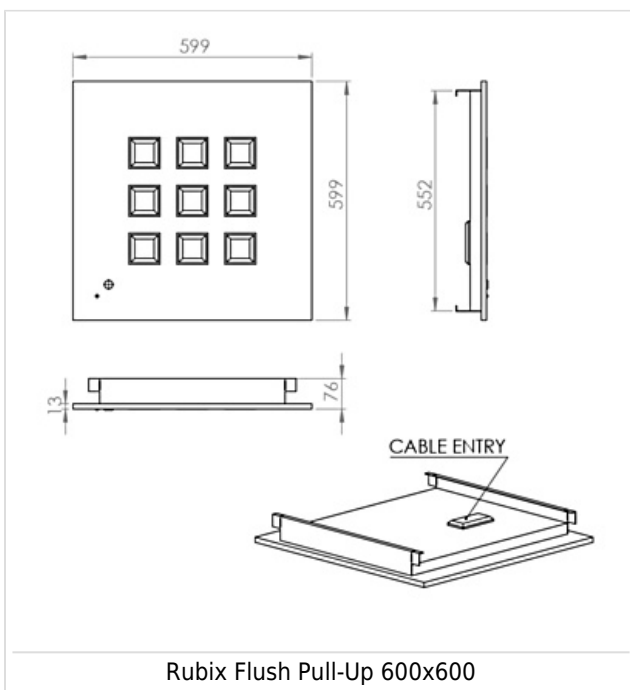
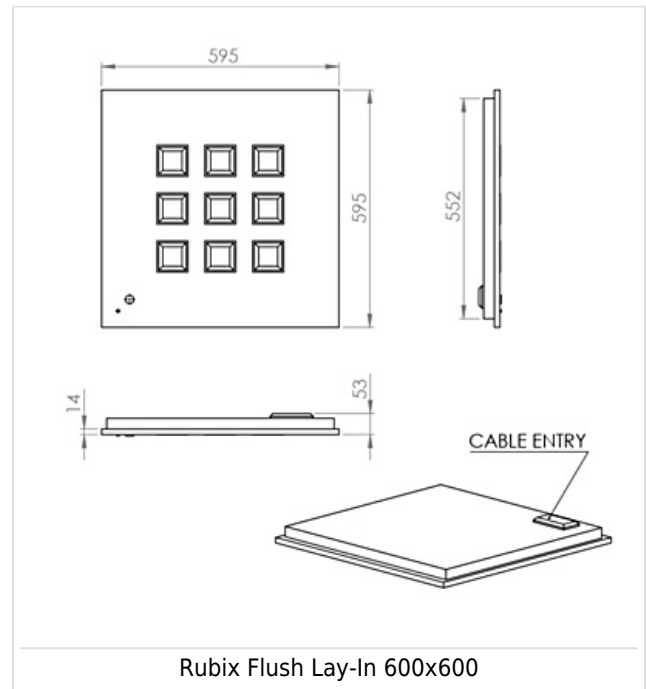
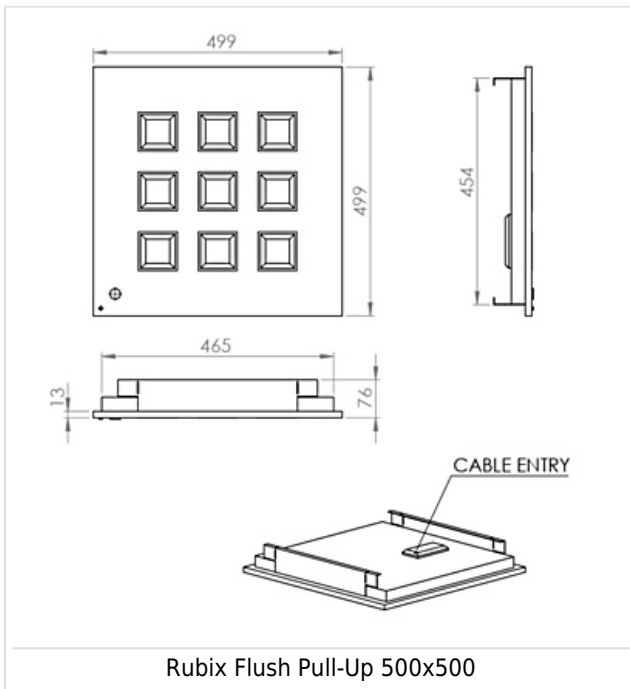
Rubix Flush 1200x600 Orange Cells

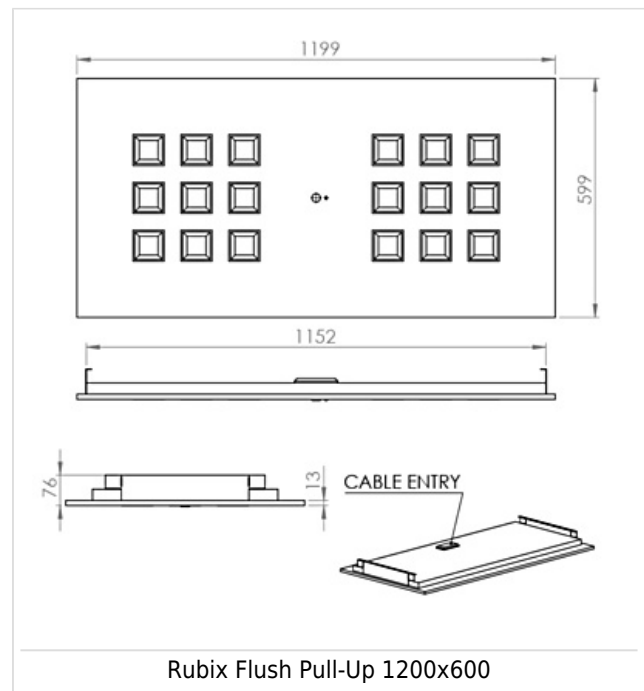
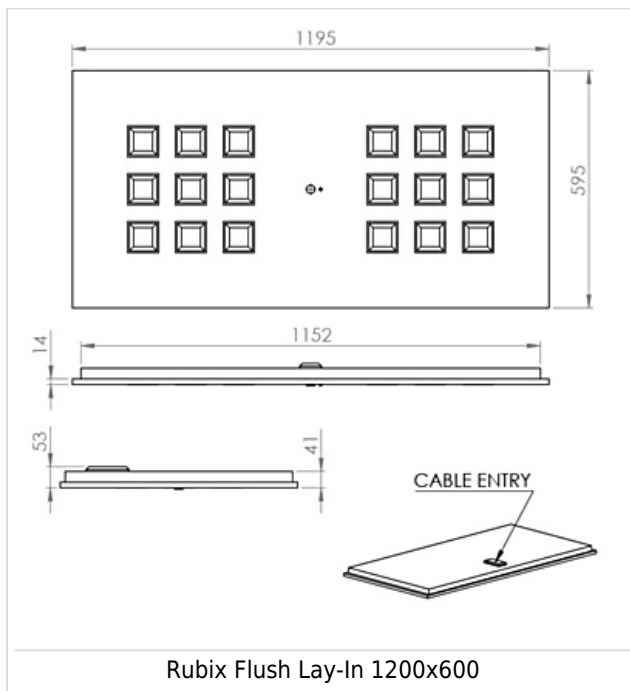
PROJECT IMAGES



TECHNICAL







WARRANTY

At Dextra our commitment to service has been at the forefront throughout our history spanning more than forty years in the UK lighting market. Our service ethos extends beyond design and delivery, we believe supporting your installation throughout the warranty period is equally crucial, whilst the strength and longevity of Dextra Group provides peace of mind that our warranty will be supported throughout.

The Dextra range is supplied with a five year warranty commencing from the date of delivery. During the first three years defects will be repaired on site and the warranty will include both parts and labour. For the final two years drivers, emergency modules, wireless modules, sensors and LED circuits will be supplied free of charge to replace defective components, labour and other associated costs are not included.

Certain ranges and components are subject to exemptions:

- Lithium batteries are provided with a three year warranty for parts and labour. Nickel Metal Hydride and Nickel Cadmium batteries are provided with a one year warranty for parts and labour.
- Emergency luminaires including AME LED, EXI LED, EXI2 LED, EXI Track, HBE LED, HBE2 LED, OAT2 LED, OEZ LED and Twinspot with Nickel Metal Hydride batteries are supplied with a one year warranty for parts and labour. Lithium variants of these ranges are supplied with a three year warranty for parts and labour with the exception of the AME2, EXI3, HBE3 and TWS IP65 L7 ranges which are supplied with a one year parts and labour warranty.
- Protec Micro, 7W Fire Rated Downlights and Serenus are provided with a five year replacement luminaire only warranty.
- Controls systems such as standalone sensors, switches, marshalling boxes and cabling are provided with a one year warranty for both parts and labour. DALI control systems are provided with a two year warranty for both parts and labour.
- LEDextra ranges including Glide Power, Glide Mini, Glide RGBW, Colour Glide, Glide In Ground, Glide Pixel and AluLED ranges are supplied with a three year parts or replacement luminaire only warranty.
- LEDEX ranges are supplied with a three year replacement luminaire only warranty.

All warranties are subject to correct use of the product and will be invalidated by misuse, for example incorrect installation, unsuitable environmental conditions or incorrect maintenance. It is the duty of the customer to ensure that all the fault lies with the luminaire prior to requesting replacement parts or site repairs. In the event that no defect is found with the product our costs for attending site will be recharged to the customer and credit will not be issued against returned products. No consequential losses incurred resulting from any defect with our product will be reimbursed.

Given the nature of LED technology a small percentage of LEDs may fail during the lifetime of a luminaire, this does not cause a reduction in lumen output. As such LED luminaires are only deemed to be faulty for warranty purposes when in excess of ten percent of LEDs have failed in a single luminaire

On site repair of products under warranty will be undertaken during normal working hours, 9am to 5pm Monday to Friday, and will require unrestricted access to luminaires. Where required Dextra will provide access equipment to carry out repairs at height, should luminaires have been installed in locations where reasonable provision for maintenance access has not been made we reserve the right to supply replacement product only.

If you require any assistance with regards to our products please contact our Customer Services department on 01747 858100.

[DOWNLOAD WARRANTY PDF](#)

ORDER CODES

LUMINAIRE

Code	Description	Circuit Wattage	Llm/W
Lay-in			
RBXRFL33 L20	Rubix Flush Lay-In, 300x300, 1,664lm, Opal Cell, Colour 84	15.0W	110
RBXRFL L32	Rubix Flush Lay-In, 600x600, 2,526lm, Opal Cell, Colour 84	20.6W	122
RBXRFL L40	Rubix Flush Lay-In, 600x600, 3,183lm, Opal Cell, Colour 84	25.5W	124
RBXRFL L45	Rubix Flush Lay-In, 600x600, 3,594lm, Opal Cell, Colour 84	28.6W	126
RBXRFL 126 L64	Rubix Flush Lay-In, 1200x600, 5,052lm, Opal Cell, Colour 84	39.9W	126
RBXRFL 126 L80	Rubix Flush Lay-In, 1200x600, 6,366lm, Opal Cell, Colour 84	46.7W	136
RBXRFL 126 L90	Rubix Flush Lay-In, 1200x600, 7,188lm, Opal Cell, Colour 84	54.5W	131
Pull-up			
RBXPFL33 L20	Rubix Flush Pull-Up, 300X300, 1,664lm, Opal Cell, Colour 84	15.0W	110
RBXPFL55 L32	Rubix Flush Pull-Up, 500x500, 2,526lm, Opal Cell, Colour 84	20.6W	122
RBXPFL55 L40	Rubix Flush Pull-Up, 500x500, 3,183lm, Opal Cell, Colour 84	25.5W	124
RBXPFL55 L45	Rubix Flush Pull-Up, 500x500, 3,594lm, Opal Cell, Colour 84	28.6W	126
RBXPFL L32	Rubix Flush Pull-Up, 600x600, 2,526lm, Opal Cell, Colour 84	20.6W	122
RBXPFL L40	Rubix Flush Pull-Up, 600x600, 3,183lm, Opal Cell, Colour 84	25.5W	124
RBXPFL L45	Rubix Flush Pull-Up, 600x600, 3,594lm, Opal Cell, Colour 84	28.6W	126
RBXPFL75 L32	Rubix Flush Pull-Up, 750x750, 2,526lm, Opal Cell, Colour 84	20.6W	122
RBXPFL75 L40	Rubix Flush Pull-Up, 750x750, 3,183lm, Opal Cell, Colour 84	25.5W	124
RBXPFL75 L45	Rubix Flush Pull-Up, 750x750, 3,594lm, Opal Cell, Colour 84	28.6W	126
RBXPFL 126 L64	Rubix Flush Pull-Up, 1200x600, 5,052lm, Opal Cell, Colour 84	39.9W	126
RBXPFL 126 L80	Rubix Flush Pull-Up, 1200x600, 6,366lm, Opal Cell, Colour 84	46.7W	136
RBXPFL 126 L90	Rubix Flush Pull-Up, 1200x600, 7,188lm, Opal Cell, Colour 84	54.5W	131

For plasterboard ceilings please specify lay-in luminaire and appropriate plasterboard kit.

OPTIC

Code	Description
BK	Black Cell
BL	Blue Cell
OR	Orange Cell
R	Red Cell

DIMMING

Code	Description
A	DALI Digital Addressable Lighting Interface
S	Switch Dimming
D	DSI Digital Dimming
H	HFR Analogue 1-10v
C	Bi-Level Dimming For Standalone Switched Sensor

CONTROL

Code	Description
R24H	Reacta 24 Minihead Daylight and Presence Detection Sensor
EA	Reacta-Air Infra Red, Wireless, Presence & Daylight, 2.5-4M
RAS	Reacta-Air Bluetooth, Wireless, Presence & Daylight, 2.5-4M
RLI	Reacta-Link, Wireless Enabled Luminaire
RLS	Reacta-Link Wireless, Presence, 2.5-4M
RD	Reacta-Dim, Wireless Dimming / Switching

Please click [here](#) for full details on our wireless controls.

EMERGENCY

Code	Description
LE3	Lithium Standard Emergency 3 Hour
LS3	Lithium Selftest Emergency 3 Hour
LA3	Lithium Autotest Emergency 3 Hour
LSTR	Lithium Reacta-Link Emergency 3 Hour
CB	Central Battery, Please specify 50v, 110v or 230v when ordering

MISCELLANEOUS

Code	Description
C**	Select Colour Temperature and Rendering; C83, C84, C85, C865, C93, C94
W	White Finish
B	Black Finish
GY	Grey Finish
AH25	Air handling 25 litres per second