



PRODUCT SPECIFICATION

RUBIX 4



INTRODUCTION

The Rubix 4 has been designed to offer retailers an alternative to a traditional circular downlighter, it is the latest addition to the popular Rubix product family. The four optically controlled cells are ideally suited to applications that require minimal glare off axis such as bookmakers and electronics retailers who operate large banks of display screens. Available in two colour temperatures with variants to suit a wide variety of ceiling systems and a choice of coloured cell bezels to match in with your corporate branding, this superb product brings a new level of style and functionality to the retail market.

- CE
- IP20
- L90 / 60K OPERATING HOURS
- 3 STEP MACADAM ELLIPSE

APPLICATION

- Commercial/Offices
- Hotel/Leisure
- Retail

SPECIFICATION

CONSTRUCTION

- Robust steel housing powder painted BS OOE55 60% gloss white
- Four semi specular aluminium reflectors with opal frames

PERFORMANCE

- 4000K colour temperature as standard, 3000K available on request
- LM80 verified: 90% LED lumen maintenance at 60,000 operating hours
- Standard Deviation Colour Match = 3 Step Macadam's Ellipse
- Compliant with BSEN 12464 3000 candela limit
- L2 compliant

CONTROL

- H High frequency analogue dimming 1-10v
- S Switch dimming
- D Digital dimming
- A Digital addressable lighting interface

EMERGENCY

- Integral three hour standard maintained, self-test or auto-test

INSTALLATION

- Fully assembled and ready to install with no requirement for on site assembly
- Back flap offers simplified access to the terminal block for hard wiring
- Can be supplied with optional Wieland panel mount and plug and play accessories
- Can be supplied with pre-wired leads of your choice to minimise installation times.

VARIATIONS

- Pull up versions for plasterboard and concealed fix ceilings available on request
- Coloured cell bezels available to match in with corporate branding
- CRI 90+ available upon request.

IMAGES

PRODUCT IMAGES

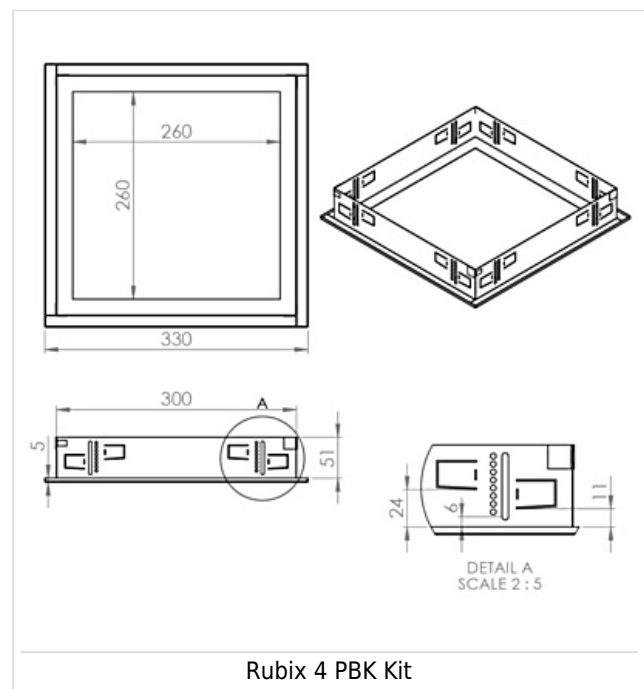
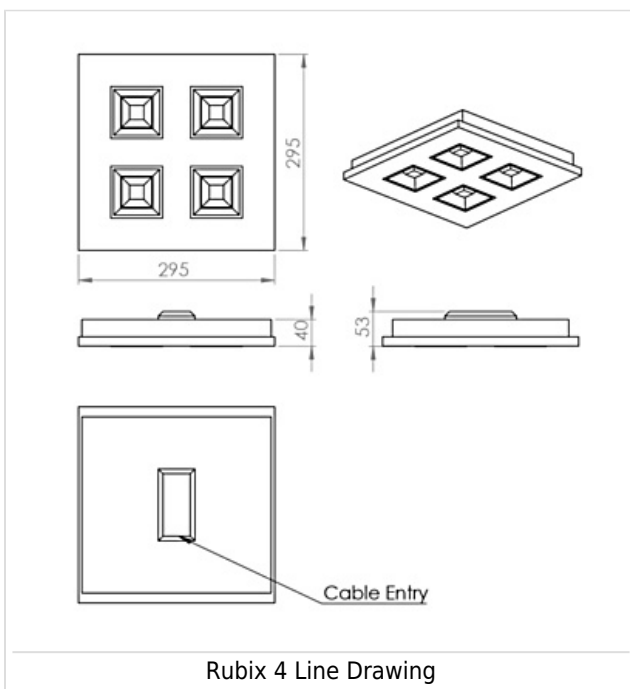


Rubix 4 - 300 x 300 with pull up kit



Rubix 4 - 300 x 300

TECHNICAL



WARRANTY

5 year warranty on LED product ranges is subject to a maximum of 4000 operating hours per year and only applies where failures exceed the component manufacturers expected failure rate and lumen depreciation.

extra products are supplied with a 12 month warranty for any defect that may occur with the product during this time. Any defect will either be repaired on site free of charge or the defective product may be replaced on a chargeable basis and credit given against defective product returned. The course of action taken will be at our discretion and dependent on the

nature of the defect.

The control gear within our high frequency and LED luminaires is further underwritten by our suppliers for a period of up to 5 years in total from the time of purchase. This comprises labour and parts for the first 3 years and free of charge components only for the final 2 years.

PROTEC LED FR 8W GU10 luminaires and all Emergency LED ranges such as LED 3, EXI, HBE, OAT, O EZ, AME, OEH and TWS * are exempt from the 5 year warranty and are supplied with 1 year warranty only. PROTEC LED COB luminaires are supplied with a three year warranty for replacement luminaires only.

Glide Power, Glide Mini, Glide RGBW, Colour Glide and Glide In Ground ranges are supplied with a three year parts or replacement luminaire only warranty.

All warranties are subject to correct use of the product and will be invalidated by misuse, for example incorrect installation or unsuitable environmental conditions.

It is the duty of the customer to ensure that all relevant tests have been carried out prior to requesting site visits or replacement products, for example replacement of lamps, commissioning of sensors and inspection of external wiring. In the event that no defect is found with the product our costs for attending site will be recharged to the customer and credit will not be issued against returned products.

No consequential losses incurred resulting from any defect with our product will be reimbursed.

Consumable commodities such as lamps, starters and batteries are excluded from these warranty terms. Batteries are supplied with a twelve month warranty only.

5 year warranty on LED product ranges is subject to a maximum of 4000 operating hours per year and only applies where failures exceed the component manufacturers expected failure rate and lumen depreciation.

If you require any assistance with regards to our products please do not hesitate to contact our Customer Services department on 01747 858100.

*The LED4 Emergency LED range is supplied with a three year battery warranty and 5 year luminaire warranty.

ORDER CODES

LUMINAIRE CODES

| Code | Description | Circuit Wattage | lIm/W |
|------------------|---|-----------------|-------|
| RBXRFL 33L20 C84 | Rubix Flush, Lay-In, 300x300mm, 1591lIm, Opal Cell Surround, Colour 84 | 14W | 113 |
| RBXRFL 33L20 C83 | Rubix Flush, Lay-In, 300x300mm, 1591lIm, Opal Cell Surround, Colour 83 | 14W | 113 |
| RBXPFL 33L20 C84 | Rubix Flush, Pull Up, 300x300mm, 1591lIm, Opal Cell Surround, Colour 84 | 14W | 113 |
| RBXPFL 33L20 C83 | Rubix Flush, Pull Up, 300x300mm, 1591lIm, Opal Cell Surround, Colour 83 | 14W | 113 |

OPTIC

| Code | Description |
|------|----------------------|
| BL | Blue Cell Surround |
| OR | Orange Cell Surround |
| R | Red Cell Surround |
| GR | Green Cell Surround |
| BK | Black Cell Surround |

PL Purple Cell Surround

Other cell colours are available on request subject to minimum order quantities and extended delivery times

DIMMING OPTIONS

| Code | Description |
|------|---|
| H | High Frequency Dimming (Analogue 1-10v) |
| S | Switch Dimming |
| A | Digital Addressable Lighting Interface (DALI) |
| D | Digital Dimming (DSI) |

LIGHTING CONTROL

| Code | Description |
|------|---------------------------------------|
| RLI | Dextra Reacta-Link Systems |
| RLS | Reacta-Link presence detection sensor |

[Please click here for full details on our wireless controls.](#)

EMERGENCY

| Code | Description |
|-------|--|
| E3 | 3 Hour Integral Emergency |
| ST3 | Self Test |
| AT3 | Autotest Emergency |
| STR | Emergency Reacta-Link |
| CB230 | Central Battery 230v Changeover Module |

MISCELLANEOUS

| Code | Description |
|-------------|-----------------------------|
| RBXR PBK 33 | Plasterboard Mounting Frame |