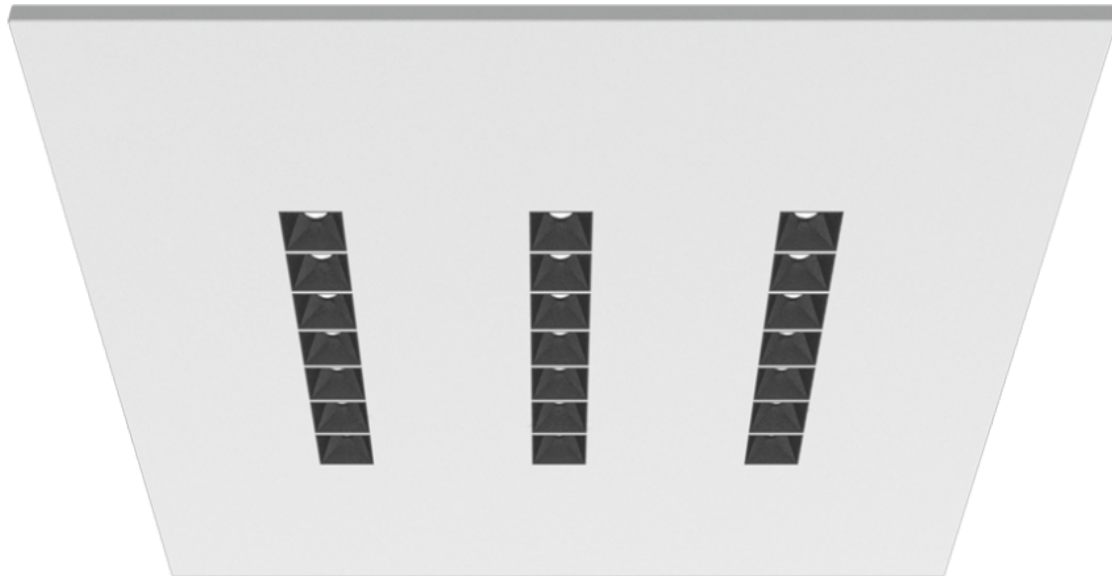


# PRODUCT SPECIFICATION

---

## RUBINI RECESSED MODULAR



---

## INTRODUCTION

---

Where lighting must be both discreet and attractive, the Rubini Recessed Modular provides the optimum solution with its modern and attractive cellular design. With excellent glare control of UGR 16 and performance exceeding 160 luminaire lumens per watt, the Rubini offers superb efficiency and architectural appeal whilst adhering to the strictest of lighting requirements. With a steel housing powder painted in white, injection moulded cellular baffle and front bezel and lensed optic to ensure consistent optical performance with excellent glare control and efficiency the Rubini Recessed Modular has been designed without compromise in materials or performance.

The Rubini Recessed Modular is available in 600×600, 1200×600 and 1200×300 sizes with multiple cell count and output options in each form factor ensuring the output can be tailored for a range of applications ranging from offices through to circulation and ancillary areas. With both lay in and pull up variants available the Rubini Recessed Modular can be tailored to suit most common ceiling systems and can be offered with air handling, integral sensors, integral lithium emergency and dimming options. Wireless dimming and control can be offered with our Reacta-Dim system and Reacta-Link options are also available where web based control and reporting of luminaires is required.

- CE
- NEW
- IP20
- L90 / 60K OPERATING HOURS

---

## APPLICATION

---

- Commercial/Offices
- Corridor
- Education
- Hotel/Leisure
- Office
- Retail

---

## SPECIFICATION

---

### CONSTRUCTION

- Steel housing powder painted white
- Injection moulded polycarbonate cellular baffle available in both black, white and copper finishes
- Lensed optic

### PERFORMANCE

- In excess of 160lm/w
- Although lumen packages will always remain the same, lumens per watt will only improve in line with developments in LED chip technology. This offers improved performance and greater efficiency. For further information about the current generation please contact the Dextra Technical team on 01747 858100.
- LM80 verified: 90% LED lumen maintenance at 60,000 operating hours.
- Standard Deviation Colour Match – 3 Step Macadam’s Ellipse.
- L2 compliant.

### INSTALLATION

- Lay in variants available for compatibility with a range of ceiling types.

### VARIATIONS

- 600×600, 1200×600 and 1200×300 variants available
- Available in custom versions to suit 300×300, 500×500, Alugrid and linear plank ceiling systems and air handling options.
- Available with a wide range of dimming, emergency, sensor and wireless options
- Black or white housing and cellular baffle, also available with copper finish

### EMERGENCY

- Available with optional standard, self test and autotest integral emergency with lithium batteries for extended warranty and lifetime.

---

## IMAGES

---

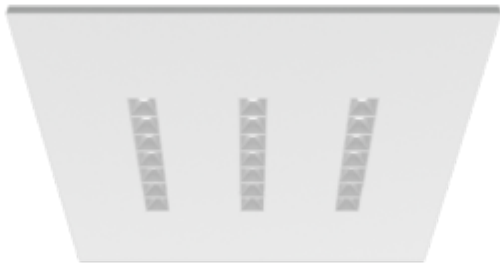
## PRODUCT IMAGES



RBNR---663-BLK



RBNR---663-COP



RBNR---663-WH

## PROJECT IMAGES



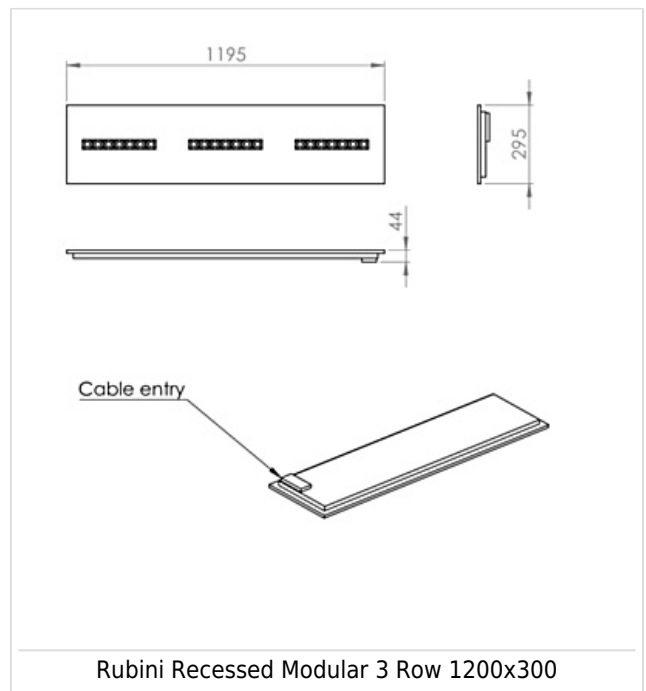
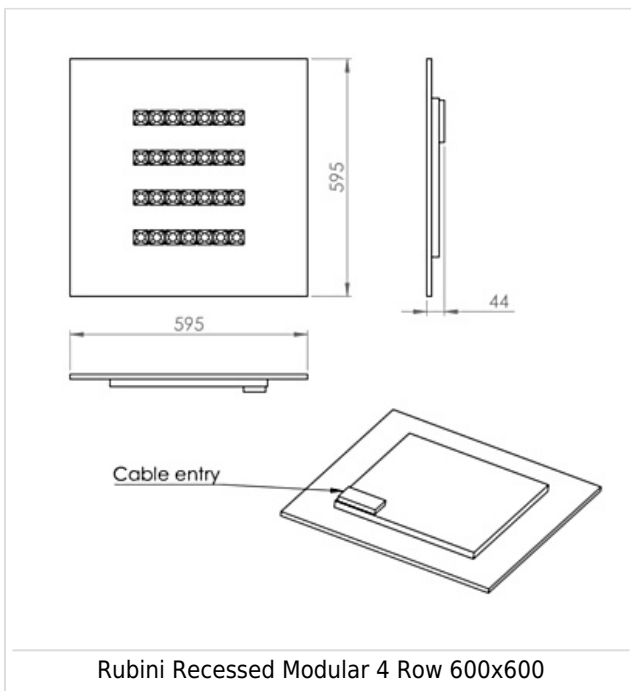
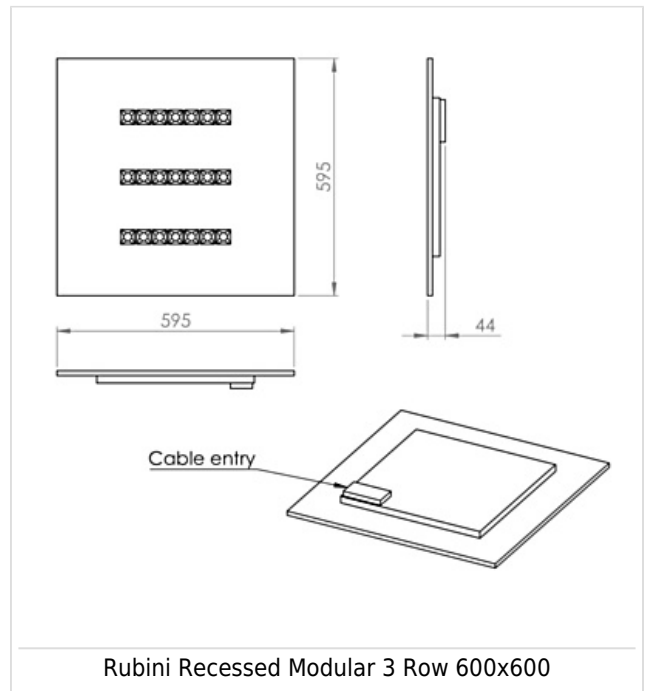
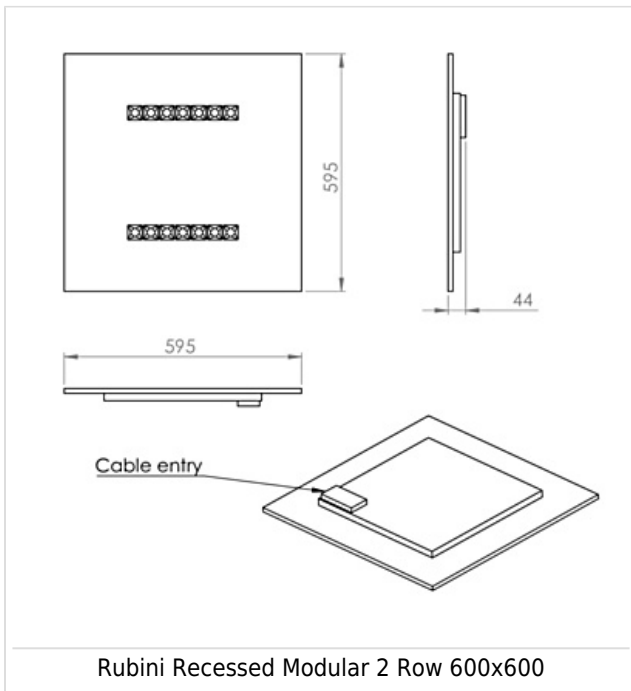
---

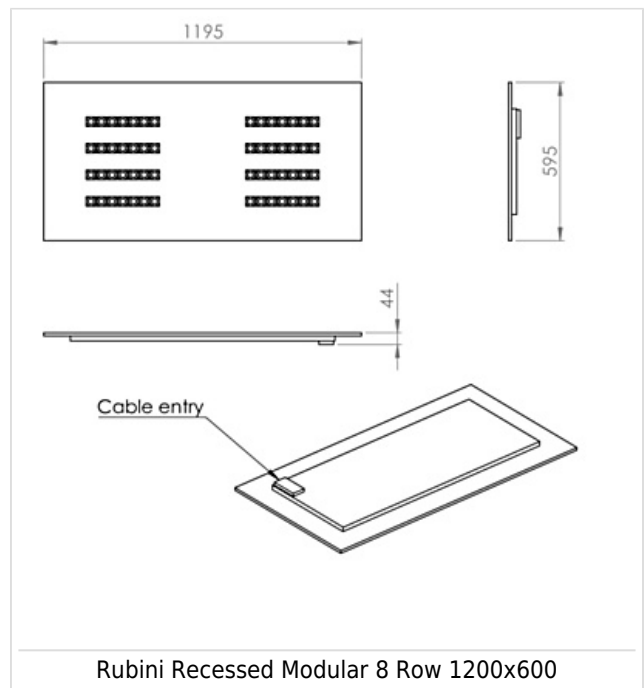
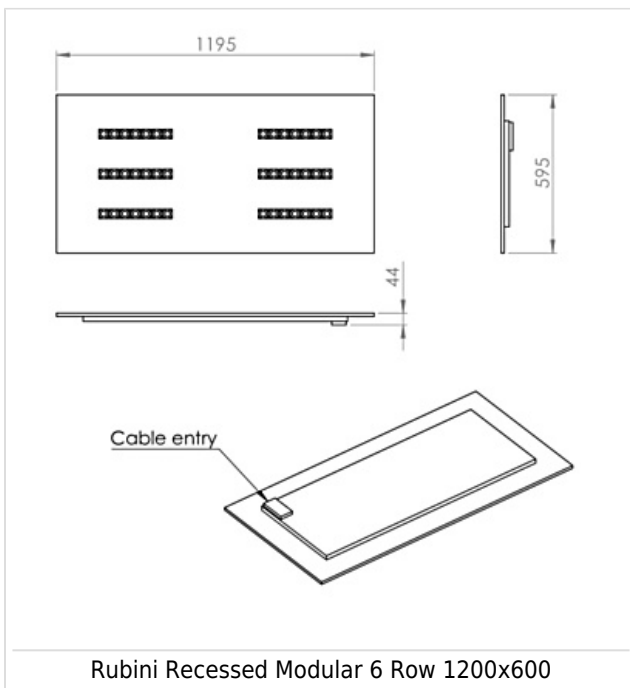
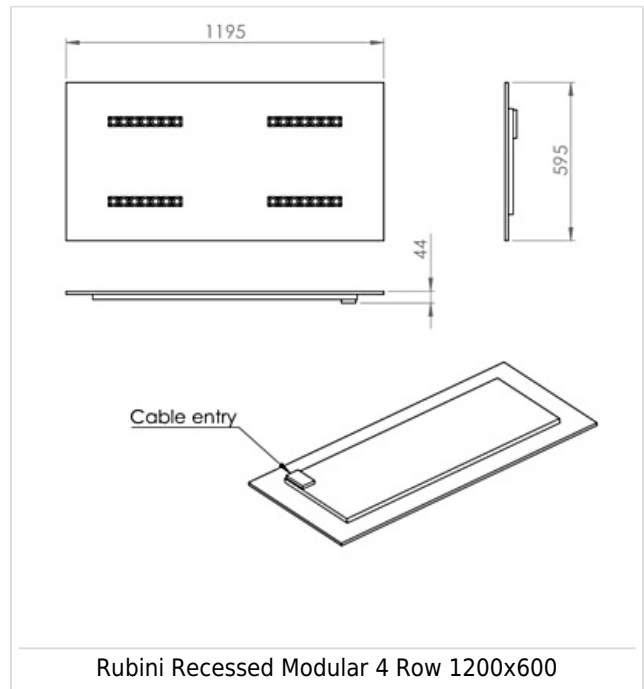
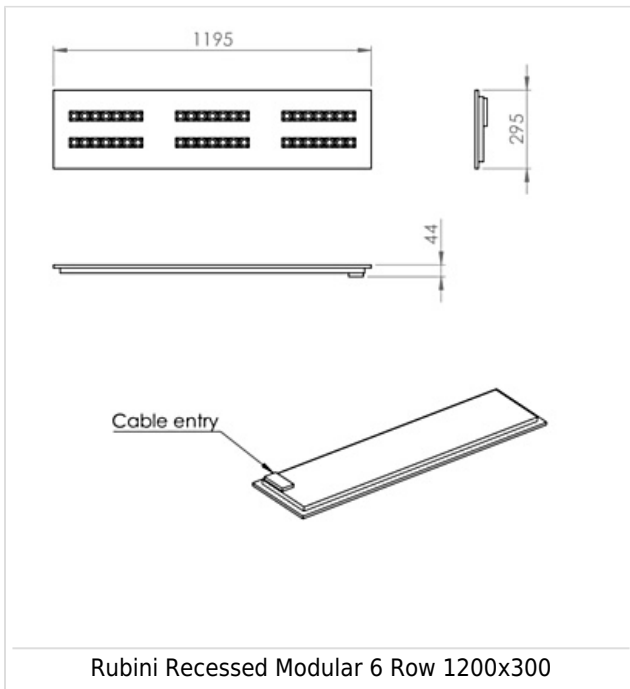
## TECHNICAL

---

# RUBINI RECESSED MODULAR

## PRODUCT SPECIFICATION





## WARRANTY

At Dextra our commitment to service has been at the forefront throughout our history spanning more than forty years in the UK lighting market. Our service ethos extends beyond design and delivery, we believe supporting your installation throughout the warranty period is equally crucial, whilst the strength and longevity of Dextra Group provides peace of mind that our warranty will be supported throughout.

The Dextra range is supplied with a five year warranty commencing from the date of delivery. During the first three years

defects will be repaired on site and the warranty will include both parts and labour. For the final two years drivers, emergency modules, wireless modules, sensors and LED circuits will be supplied free of charge to replace defective components, labour and other associated costs are not included.

Certain ranges and components are subject to exemptions:

- Lithium batteries are provided with a three year warranty for parts and labour. Nickel Metal Hydride and Nickel Cadmium batteries are provided with a one year warranty for parts and labour.
- Emergency luminaires including AME LED, EXI LED, EXI2 LED, EXI Track, HBE LED, HBE2 LED, OAT2 LED, OEZ LED and Twinspot with Nickel Metal Hydride batteries are supplied with a one year warranty for parts and labour. Lithium variants of these ranges are supplied with a three year warranty for parts and labour with the exception of the AME2, EXI3, HBE3 and TWS IP65 L7 ranges which are supplied with a one year parts and labour warranty.
- Protec Micro, 7W Fire Rated Downlights and Serenus are provided with a five year replacement luminaire only warranty.
- Controls systems such as standalone sensors, switches, marshalling boxes and cabling are provided with a one year warranty for both parts and labour. DALI control systems are provided with a two year warranty for both parts and labour.
- LEDextra ranges including Glide Power, Glide Mini, Glide RGBW, Colour Glide, Glide In Ground, Glide Pixel and AluLED ranges are supplied with a three year parts or replacement luminaire only warranty.
- LEDEX ranges are supplied with a three year replacement luminaire only warranty.

All warranties are subject to correct use of the product and will be invalidated by misuse, for example incorrect installation, unsuitable environmental conditions or incorrect maintenance. It is the duty of the customer to ensure that all the fault lies with the luminaire prior to requesting replacement parts or site repairs. In the event that no defect is found with the product our costs for attending site will be recharged to the customer and credit will not be issued against returned products. No consequential losses incurred resulting from any defect with our product will be reimbursed.

Given the nature of LED technology a small percentage of LEDs may fail during the lifetime of a luminaire, this does not cause a reduction in lumen output. As such LED luminaires are only deemed to be faulty for warranty purposes when in excess of ten percent of LEDs have failed in a single luminaire

On site repair of products under warranty will be undertaken during normal working hours, 9am to 5pm Monday to Friday, and will require unrestricted access to luminaires. Where required Dextra will provide access equipment to carry out repairs at height, should luminaires have been installed in locations where reasonable provision for maintenance access has not been made we reserve the right to supply replacement product only.

If you require any assistance with regards to our products please contact our Customer Services department on 01747 858100.

[DOWNLOAD WARRANTY PDF](#)

## ORDER CODES

### LUMINAIRE

Code	Description	Circuit Wattage	lIm/W
RBNR662 L23 **	Rubini Recessed, Lay in, 600x600, 2 Row, 2,063lIm, C84	14.5W	142
RBNR663 L34 **	Rubini Recessed, Lay in, 600x600, 3 Row, 2,995lIm, C84	20.9W	143

RBNR664 L46 **	Rubini Recessed, Lay in, 600x600, 4 Row, 4,126Ilm, C84	26.0W	158
RBNR1262 L43 **	Rubini Recessed, Lay in, 1200x600, 2 Row, 3,790Ilm, C84	24.5W	154
RBNR1263 L64 **	Rubini Recessed, Lay in, 1200x600, 3 Row, 5,682Ilm, C84	34.9W	162
RBNR1264 L86 **	Rubini Recessed, Lay in, 1200x600, 4 Row, 7,577Ilm, C84	46.8W	161
RBNR1231 L34 **	Rubini Recessed, Lay in, 1200x300, 1 Row, 3,039Ilm, C84	20.9W	145
RBNR1232 L69 **	Rubini Recessed, Lay in, 1200x300, 2 Row, 6,079Ilm, C84	37.6W	161

\*\*Select housing and baffle colour from Optic  
Luminaire lumen values based on white baffle

#### OPTIC

Code	Description
WW	White Housing / White Baffle
WB	White Housing / Black Baffle
WC	White Housing / Copper Baffle
BB	Black Housing / Black Baffle
BW	Black Housing / White Baffle
BC	Black Housing / Copper Baffle

#### DIMMING

Code	Description
A	DALI Digital Addressable Lighting Interface
S	Switch Dimming
D	DSI Digital Dimming
H	HFR Analogue 1-10v
C	Bi-Level Dimming For Standalone Switched Sensor

#### CONTROL

Code	Description
R24H	Reacta 24H, Minihead Daylight and Presence Detection Sensor
EA	Reacta-Air Infra Red, Wireless, Presence & Daylight, 2.5-4M
RAS	Reacta-Air Bluetooth, Wireless, Presence & Daylight, 2.5-4M
RLI	Reacta-Link, Wireless Enabled Luminaire
RLS	Reacta-Link Wireless, Presence, 2.5-4M
RD	Reacta-Dim, Wireless Dimming / Switching

#### EMERGENCY

Code	Description
LE3	Lithium Standard Emergency 3 Hour
LS3	Lithium Selftest Emergency 3 Hour
LA3	Lithium Autotest Emergency 3 Hour
LSTR	Lithium Reacta-Link Emergency 3 Hour
CB	Central Battery, Please specify 50v, 110v or 230v when ordering

#### MISCELLANEOUS

Code	Description
C**	Select Colour Temperature and Rendering; C83, C84, C85, C865, C93, C94
4PM	4 Pole Panel Mount
6PM	6 Pole Panel Mount