



# PRODUCT SPECIFICATION

---

PROTEC DISPLAY



---

## INTRODUCTION

---

Versatility is critical when lighting displays to ensure that lighting is projected exactly where required and can be adjusted easily and quickly to accommodate layout changes. The Protec Display recessed scoop offers three lumen outputs, a range of dimming variants and a prism glass cover providing an elliptical distribution. The housing can also be both rotated and pivoted ensuring that your display is always lit to optimum effect.

Designed with speed of installation in mind the Protec Display has a large 174mm cut out size ensuring that the majority of traditional HID luminaires can be replaced with this highly efficient and low maintenance luminaire without the need to modify the ceiling ensuring the quickest possible return on investment. Infill rings are available on request for retrofit applications to ensure suitability for existing ceiling cut outs.

Wireless dimming and control can be offered with our Reacta-Dim system and Reacta-Link options are also available where web based control and reporting of luminaires is required.

- CE
- IP20

---

## APPLICATION

---

- Commercial/Offices
- Education

- Hotel/Leisure
- Retail

---

## SPECIFICATION

---

### CONSTRUCTION

- Die cast aluminium housing.
- Faceted specular aluminium reflector.
- Prism glass cover.
- Tridonic SLE chip on board source.
- Infill rings available on request for retrofit applications

### PERFORMANCE

- Up to 131 luminaire lumens per watt.
- Elliptical beam distribution.

### CONTROL

- Available in DALI, Digital dimming, Analogue dimming and Switch dimming variants.

### INSTALLATION

- Suitable for a cut out size of 174mm allowing for simple retrofit with HID luminaires.
- Retained with two sprung clips allowing for use with a wide range of ceiling types.

---

## IMAGES

---

### PRODUCT IMAGES



Protec Display

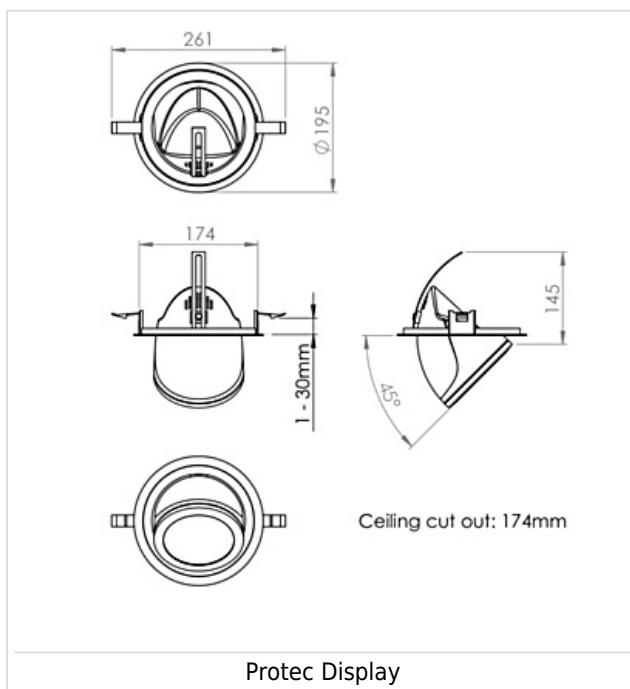
### PROJECT IMAGES



---

## TECHNICAL

---



---

## WARRANTY

---

At Dextra our commitment to service has been at the forefront throughout our history spanning more than forty years in the UK lighting market. Our service ethos extends beyond design and delivery, we believe supporting your installation throughout the warranty period is equally crucial, whilst the strength and longevity of Dextra Group provides peace of mind that our warranty will be supported throughout.

The Dextra range is supplied with a five year warranty commencing from the date of delivery. During the first three years defects will be repaired on site and the warranty will include both parts and labour. For the final two years drivers,

emergency modules, wireless modules, sensors and LED circuits will be supplied free of charge to replace defective components, labour and other associated costs are not included.

Certain ranges and components are subject to exemptions:

- Lithium batteries are provided with a three year warranty for parts and labour. Nickel Metal Hydride and Nickel Cadmium batteries are provided with a one year warranty for parts and labour.
- Emergency luminaires including AME LED, EXI LED, EXI2 LED, EXI Track, HBE LED, HBE2 LED, OAT2 LED, OEZ LED and Twinspot with Nickel Metal Hydride batteries are supplied with a one year warranty for parts and labour. Lithium variants of these ranges are supplied with a three year warranty for parts and labour with the exception of the AME2, EXI3, HBE3 and TWS IP65 L7 ranges which are supplied with a one year parts and labour warranty.
- Protec Micro, 7W Fire Rated Downlights and Serenus are provided with a five year replacement luminaire only warranty.
- Controls systems such as standalone sensors, switches, marshalling boxes and cabling are provided with a one year warranty for both parts and labour. DALI control systems are provided with a two year warranty for both parts and labour.
- LEDextra ranges including Glide Power, Glide Mini, Glide RGBW, Colour Glide, Glide In Ground, Glide Pixel and AluLED ranges are supplied with a three year parts or replacement luminaire only warranty.
- LEDEX ranges are supplied with a three year replacement luminaire only warranty.

All warranties are subject to correct use of the product and will be invalidated by misuse, for example incorrect installation, unsuitable environmental conditions or incorrect maintenance. It is the duty of the customer to ensure that all the fault lies with the luminaire prior to requesting replacement parts or site repairs. In the event that no defect is found with the product our costs for attending site will be recharged to the customer and credit will not be issued against returned products. No consequential losses incurred resulting from any defect with our product will be reimbursed.

Given the nature of LED technology a small percentage of LEDs may fail during the lifetime of a luminaire, this does not cause a reduction in lumen output. As such LED luminaires are only deemed to be faulty for warranty purposes when in excess of ten percent of LEDs have failed in a single luminaire

On site repair of products under warranty will be undertaken during normal working hours, 9am to 5pm Monday to Friday, and will require unrestricted access to luminaires. Where required Dextra will provide access equipment to carry out repairs at height, should luminaires have been installed in locations where reasonable provision for maintenance access has not been made we reserve the right to supply replacement product only.

If you require any assistance with regards to our products please contact our Customer Services department on 01747 858100.

[DOWNLOAD WARRANTY PDF](#)

## ORDER CODES

### LUMINAIRE

Code	Description	Circuit Wattage	lIm/W
PTECD L14 E	Protec Display, 1,106lIm, Elliptical Glass, Colour 84	8.76W	126
PTECD L20 E	Protec Display, 1,580lIm, Elliptical Glass, Colour 84	12.2W	129
PTECD L30 E	Protec Display, 2,370lIm, Elliptical Glass, Colour 84	18.01W	131

PTECD L50 E	Protec Display, 3,969lm, Elliptical Glass, Colour 84	31.16W	127
-------------	--	--------	-----

### DIMMING

Code	Description
A	DALI Digital Addressable Lighting Interface
S	Switch Dimming
D	DSI Digital Dimming
C	Bi-Level Dimming For Standalone Switched Sensor

### CONTROL

Code	Description
RLI	Reacta-Link, Wireless Enabled Luminaire
RLS	Reacta-Link Wireless, Presence, 2.5-4M
RD	Reacta-Dim, Wireless Dimming / Switching

Sensor supplied with luminaire for installation in adjacent ceiling tile. Only suitable for IP20 applications.

[Please click here for full details on our wireless controls.](#)

### MISCELLANEOUS

Code	Description
C**	Select Colour Temperature and Rendering; C83, C84, C85, C865, C93, C94
4PM	4 Pole Panel Mount
6PM	6 Pole Panel Mount
INFILL	Infill Rings to Suit Over Size Ceiling Cut Out, Please Specify Size when Ordering