



# PRODUCT SPECIFICATION

---

PLANUM



---

## INTRODUCTION

---

The Planum provides a slim line aesthetically attractive, wall mounted, bi directional luminaire ideally suited for reception areas, corridors, stairways and applications where installation of ceiling mounted luminaires is impractical. Offering a 50% up / down light distribution with lensed optics for precise beam control, the Planum provides a highly efficient solution that can be tailored to suit your installation.

For ease of installation the Planum is supplied with a two part powder painted steel housing with a separate chassis which can quickly and easily be installed prior to attachment of the main housing. The Planum is supplied in white as standard but can be offered in a range of colours on request to suit any corporate theme and is also available with all common dimming variants and integral sensor options to maximise energy savings.

- CE
- IP20
- L90 / 60K OPERATING HOURS
- 3 STEP MACADAM ELLIPSE

---

## APPLICATION

---

- Canteen
- Commercial/Offices
- Corridor

- Education
- Healthcare/Social Housing
- Hotel/Leisure
- Office
- Retail

---

## SPECIFICATION

---

### CONSTRUCTION

- Steel housing powder painted white (other colours available on request)
- Twin lensed optic providing 50% up / down distribution

### PERFORMANCE

- Although lumen packages will always remain the same, lumens per watt will only improve in line with developments in LED chip technology. This offers improved performance and greater efficiency. For further information about the current generation please contact the Dextra Technical team on 01747 858100.
- LM80 verified: 90% LED lumen maintenance at 60,000 operating hours.
- Standard Deviation Colour Match – 3 Step Macadam’s Ellipse.
- L2 compliant.

### CONTROL

- Available with integral Reacta-Air sensor
- Available with all common dimming variants

### INSTALLATION

- Supplied with two part assembly for ease of installation

---

## IMAGES

---

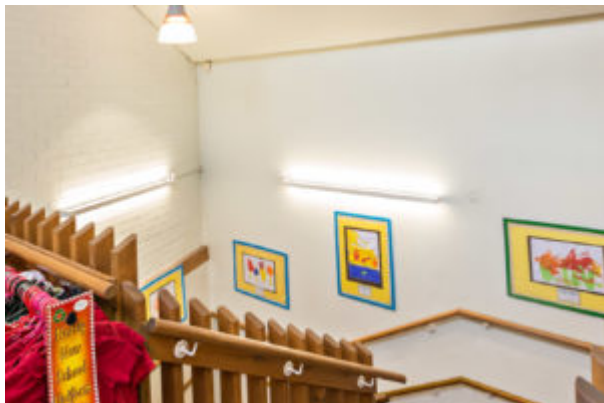
### PRODUCT IMAGES



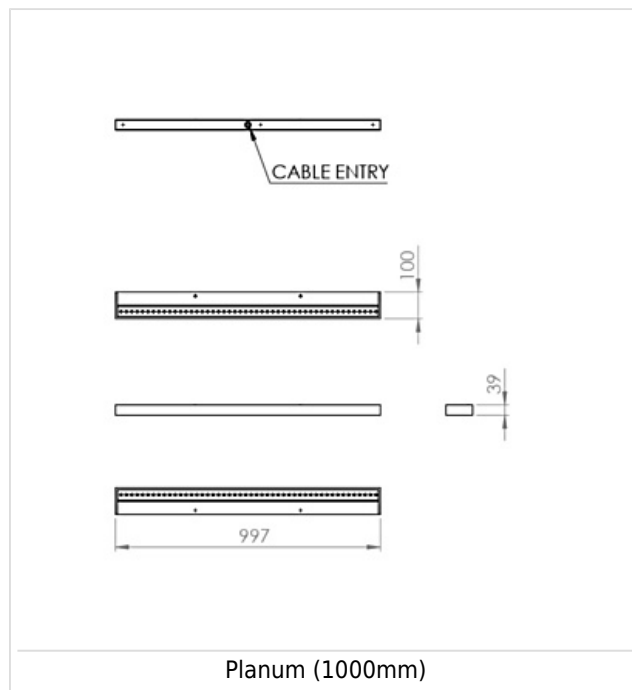
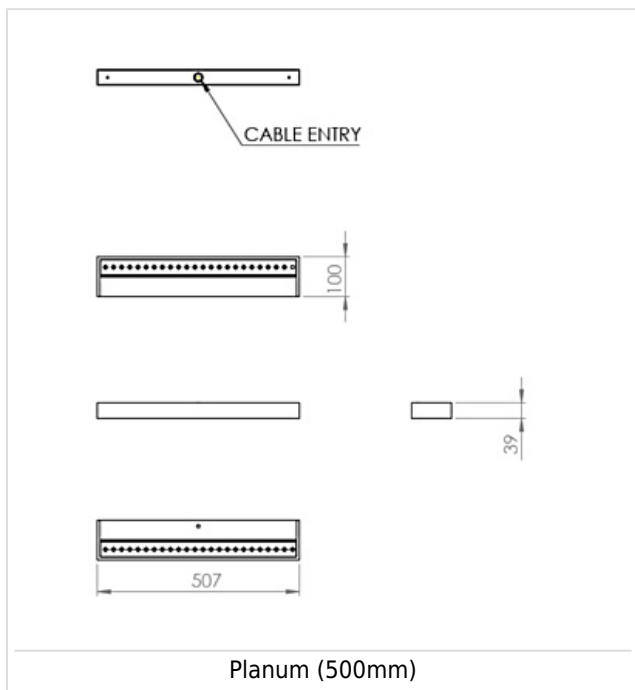
Planum with Sensor

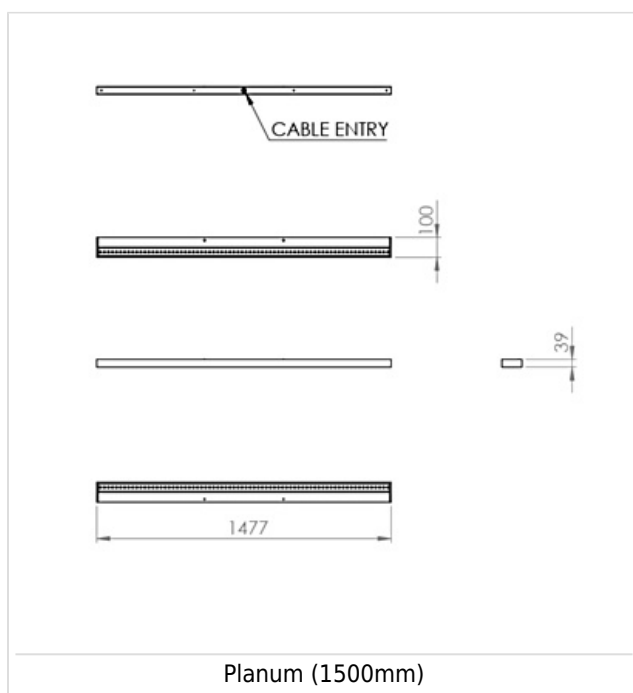
Planum

### PROJECT IMAGES



### TECHNICAL





## WARRANTY

5 year warranty on LED product ranges is subject to a maximum of 4000 operating hours per year and only applies where failures exceed the component manufacturers expected failure rate and lumen depreciation.

Dextra products are supplied with a 12 month warranty for any defect that may occur with the product during this time. Any defect will either be repaired on site free of charge or the defective product may be replaced on a chargeable basis and credit given against defective product returned. The course of action taken will be at our discretion and dependent on the nature of the defect.

The control gear within our high frequency and LED luminaires is further underwritten by our suppliers for a period of up to 5 years in total from the time of purchase. This comprises labour and parts for the first 3 years and free of charge components only for the final 2 years.

PROTEC LED FR 8W GU10 luminaires and all Emergency LED ranges such as LED 3, EXI, HBE, OAT, O EZ, AME, OEH and TWS \* are exempt from the 5 year warranty and are supplied with 1 year warranty only. PROTEC LED COB luminaires are supplied with a three year warranty for replacement luminaires only.

Glide Power, Glide Mini, Glide RGBW, Colour Glide and Glide In Ground ranges are supplied with a three year parts or replacement luminaire only warranty.

All warranties are subject to correct use of the product and will be invalidated by misuse, for example incorrect installation or unsuitable environmental conditions.

It is the duty of the customer to ensure that all relevant tests have been carried out prior to requesting site visits or replacement products, for example replacement of lamps, commissioning of sensors and inspection of external wiring. In the event that no defect is found with the product our costs for attending site will be recharged to the customer and credit will not be issued against returned products.

No consequential losses incurred resulting from any defect with our product will be reimbursed.

Consumable commodities such as lamps, starters and batteries are excluded from these warranty terms. Batteries are supplied with a twelve month warranty only.

5 year warranty on LED product ranges is subject to a maximum of 4000 operating hours per year and only applies where failures exceed the component manufacturers expected failure rate and lumen depreciation.

If you require any assistance with regards to our products please do not hesitate to contact our Customer Services department on 01747 858100.

\*The LED4 Emergency LED range is supplied with a three year battery warranty and 5 year luminaire warranty.

## ORDER CODES

### LUMINAIRE CODES

Code	Description	Circuit Wattage	Llm/W
PLM L24 C84	Planum, 50% Up / 50% Down Distribution, 500mm, 2122lIm, Colour 84	18W	118
PLM L30 C84	Planum, 50% Up / 50% Down Distribution, 500mm, 2535lIm, Colour 84	22.1W	115
PLM L48 C84	Planum, 50% Up / 50% Down Distribution, 1000mm, 3894lIm, Colour 84	31.5W	124
PLM L60 C84	Planum, 50% Up / 50% Down Distribution, 1000mm, 4828lIm, Colour 84	37.7W	128
PLM L72 C84	Planum, 50% Up / 50% Down Distribution, 1500mm, 5802lIm, Colour 84	44.5W	130
PLM L96 C84	Planum, 50% Up / 50% Down Distribution, 1500mm, 7744lIm, Colour 84	66.6W	116

### COLOUR OPTIONS

Code	Description
B	Black Body
GY	Grey Body

### DIMMING OPTIONS

Code	Description
A	Digital Addressable Lighting Interface (DALI)
S	Switch Dimming
C	Bi-Level Dimming
D	Digital Dimming (DSI)
H	High Frequency Dimming (analogue 1-10v)

### LIGHTING CONTROL

Code	Description
EA	Reacta-Air Wireless Sensor

Only available in 1500mm variants.