



PRODUCT SPECIFICATION

OPUS WALLPACK



INTRODUCTION

The Opus Wallpack combines a modern and minimalist design with a durable and robust construction providing both IP65 ingress protection and IK10 impact resistance. With a lensed optical design the Opus Wallpack is designed to maximise spacings between luminaires whilst minimising light pollution. With less than 2.5 percent upward light distribution the Opus Wallpack is suitable for use in a wide range of Environmental Zones where control of nuisance glare is critical.

The Opus Wallpack comes with two lens variants, a broad asymmetric distribution allowing maximum luminaire spacing in walkways alongside buildings, and an open area version with greater forward throw suited to car parks and loading bay applications.

The Opus Wallpack is manufactured with a high pressure die cast aluminium housing and injection moulded polycarbonate cover, powder painted with a salt spray tested external paint finish in either RAL 7016 grey or matt black. With a wide range of options available, the Opus Wallpack can be specified in numerous different lumen outputs up to 5000 lumens, two lens option, lithium emergency and dimming variants and a variety of controls including microwave presence detection, integral photocell for dusk to dawn operation and wireless connectivity for use with our Reacta-Link Wireless system.

This performance and flexibility combines with simplistic and flexible installation with options for side and rear cable entry, and conduit and BESA box installation.

- CE
- NEW
- IP65
- IK10
- L90 / 60K OPERATING HOURS
- 3 STEP MACADAM ELLIPSE

APPLICATION

- Commercial/Offices
- Education
- Exterior
- Healthcare/Social Housing
- Hotel/Leisure
- Industrial/Manufacturing
- Parking/Exterior
- Retail
- Transport
- Warehouse/Storage

SPECIFICATION

CONSTRUCTION

- High pressure die cast aluminium
- Injection moulded polycarbonate diffuser
- Powder painted in external salt spray tested grey or black finishes

PERFORMANCE

- LM80 verified: 90% LED lumen maintenance for 60,000 operating hours.
- Standard Deviation Colour Match - 3 Step Macadam's Ellipse.
- L2 compliant.
- Less than 2.5% ULOR
- Two lens variants for Asymmetric and Open area applications.

CONTROL

- Optional integral photocell for dusk to dawn operation
- Optional integral microwave sensor for presence detection and bright out operation
- Optional wireless controls for compatibility with the Reacta-Link system

INSTALLATION

- Suitable for rear and side cable entry
- Suitable for conduit and BESA box installation

VARIATIONS

- Available in 3000 kelvin

EMERGENCY

- Available with optional standard, self test and autotest integral emergency with lithium batteries for extended warranty

and lifetime.

IMAGES

PRODUCT IMAGES



Opus Wallpack - black



Opus Wallpack - grey



Opus Wallpack - black

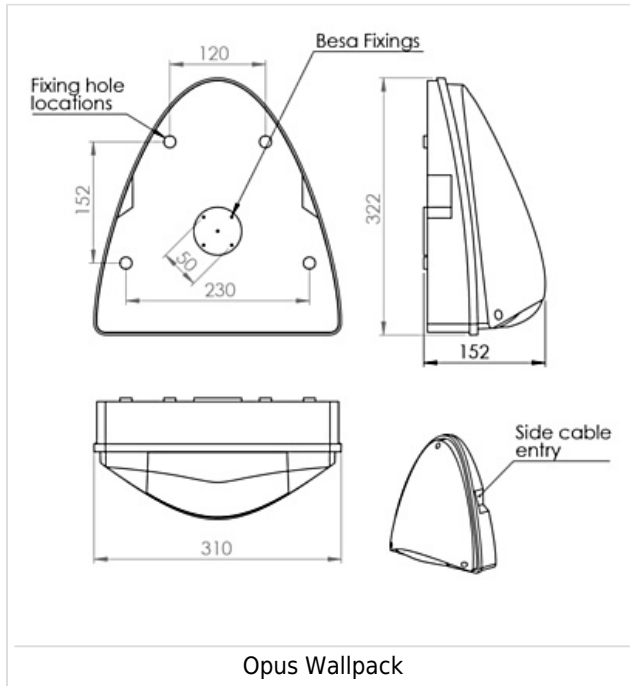


Opus Wallpack - grey

PROJECT IMAGES



TECHNICAL



WARRANTY

At Dextra our commitment to service has been at the forefront throughout our history spanning more than forty years in the UK lighting market. Our service ethos extends beyond design and delivery, we believe supporting your installation throughout the warranty period is equally crucial, whilst the strength and longevity of Dextra Group provides peace of mind that our warranty will be supported throughout.

The Dextra range is supplied with a five year warranty commencing from the date of delivery. During the first three years defects will be repaired on site and the warranty will include both parts and labour. For the final two years drivers, emergency modules, wireless modules, sensors and LED circuits will be supplied free of charge to replace defective components, labour and other associated costs are not included.

Certain ranges and components are subject to exemptions:

- Lithium batteries are provided with a three year warranty for parts and labour. Nickel Metal Hydride and Nickel Cadmium batteries are provided with a one year warranty for parts and labour.
- Emergency luminaires including AME LED, EXI LED, EXI2 LED, EXI Track, HBE LED, HBE2 LED, OAT2 LED, OEZ LED and Twinspot with Nickel Metal Hydride batteries are supplied with a one year warranty for parts and labour. Lithium variants of these ranges are supplied with a three year warranty for parts and labour with the exception of the AME2, EXI3, HBE3 and TWS IP65 L7 ranges which are supplied with a one year parts and labour warranty.
- Protec Micro, 7W Fire Rated Downlights and Serenus are provided with a five year replacement luminaire only warranty.
- Controls systems such as standalone sensors, switches, marshalling boxes and cabling are provided with a one year warranty for both parts and labour. DALI control systems are provided with a two year warranty for both parts and

labour.

- LEDextra ranges including Glide Power, Glide Mini, Glide RGBW, Colour Glide, Glide In Ground, Glide Pixel and AluLED ranges are supplied with a three year parts or replacement luminaire only warranty.
- LEDEX ranges are supplied with a three year replacement luminaire only warranty.

All warranties are subject to correct use of the product and will be invalidated by misuse, for example incorrect installation, unsuitable environmental conditions or incorrect maintenance. It is the duty of the customer to ensure that all the fault lies with the luminaire prior to requesting replacement parts or site repairs. In the event that no defect is found with the product our costs for attending site will be recharged to the customer and credit will not be issued against returned products. No consequential losses incurred resulting from any defect with our product will be reimbursed.

Given the nature of LED technology a small percentage of LEDs may fail during the lifetime of a luminaire, this does not cause a reduction in lumen output. As such LED luminaires are only deemed to be faulty for warranty purposes when in excess of ten percent of LEDs have failed in a single luminaire

On site repair of products under warranty will be undertaken during normal working hours, 9am to 5pm Monday to Friday, and will require unrestricted access to luminaires. Where required Dextra will provide access equipment to carry out repairs at height, should luminaires have been installed in locations where reasonable provision for maintenance access has not been made we reserve the right to supply replacement product only.

If you require any assistance with regards to our products please contact our Customer Services department on 01747 858100.

[DOWNLOAD WARRANTY PDF](#)

ORDER CODES

LUMINAIRE

Code	Description	Circuit Wattage	Llm/W
OPUWP L15 AS	Opus Wallpack, Grey, 1,213lm, Asymmetric, Colour 74	10.8W	112
OPUWP L25 AS	Opus Wallpack, Grey, 2,005lm, Asymmetric, Colour 74	18.8W	106
OPUWP L30 OA	Opus Wallpack, Grey, 2,482lm, Open Area, Colour 74	20.0W	123
OPUWP L40 OA	Opus Wallpack, Grey, 3,309lm, Open Area, Colour 74	27.8W	119
OPUWP L50 OA	Opus Wallpack, Grey, 4,136lm, Open Area, Colour 74	34.6W	119

DIMMING

Code	Description
A	Digital Addressable Lighting Interface (DALI)

CONTROL

Code	Description
R25E*	Reacta 25, Presence & Bright Out, On / Off, 2.5-4M
R25C*	Reacta 25, Presence & Bright Out, Bi-Level Dimming, 2.5-4M
R25W	Reacta 25, Wireless, Presence & Bright Out, Dimmable, 2.5-4M
R25WE	Reacta 25, Wireless, Presence & Bright Out, On / Off, 2.5-4M
PH	Photocell

RLI	Reacta-Link, Wireless Enabled Luminaire
RLM	Reacta-Link, Wireless, Presence, 2.5-4M
RD	Reacta-Dim, Wireless Dimming / Switching

Please click [here](#) for full details on our wireless controls.

*Bi-Level Dimming will only dim the luminaire to 10% during absence and brightout, it will not turn the luminaire off.
All R25 Sensors require the integral photocell also to ensure dusk to dawn operation.

EMERGENCY

Code	Description
LE3	Lithium Standard Emergency 3 Hour
LS3	Lithium Selftest Emergency 3 Hour
LA3	Lithium Autotest Emergency 3 Hour
LSTR	Lithium Reacta-Link Emergency 3 Hour

MISCELLANEOUS

Code	Description
C73	Colour 73
BL	Black Finish
TRS	Tamper Resistant Screws
TRS INSTALL KIT	Tamper Resistant Compatible Screwdriver Heads