



PRODUCT SPECIFICATION

OPUS COLUMN SMALL SENSOR



INTRODUCTION

The Opus Column Small Sensor complements the standard Opus Column range with a smaller housing offering up to 7,000 lumen output. The Opus Column Small Sensor incorporates the same features as the larger product range such as an adjustable spigot allowing for vertical or horizontal mounting, an optional NEMA socket and an automatic disconnect feature when accessing the control gear housing and prewired 10M lead for quick and simple installation.

The Opus Column Small Sensor incorporates our R11 sensor offering presence detection and a wide range of adjustable parameters such as time delays, dimming levels during absence, dimming rates and optional secondary time delays to turn the luminaire off altogether, all programmed via remote control from ground level. This sensor control combined with excellent energy efficiency allows this product range to offer up to 80% energy saving over traditional HID column top luminaires.

The Opus Column Sensor is available with two different lens options, wide and open area and lumen outputs ranging from 4,400 up to 7,000 ensuring that the Opus Column can be used effectively in a wide range of applications.

- CE
- IP65
- L90 / 60K OPERATING HOURS
- 3 STEP MACADAM ELLIPSE

APPLICATION

- Commercial/Offices
- Education
- Exterior
- Healthcare/Social Housing
- Hotel/Leisure
- Industrial/Manufacturing
- Parking/Exterior
- Retail
- Transport

SPECIFICATION

CONSTRUCTION

- Diecast aluminium IP65 contour housing.
- Injection moulded polycarbonate cover.
- Matt grey weather resistant and salt spray tested paint finish

PERFORMANCE

- Available in 4,400, 6,000 and 7,000 lumen outputs, sensor variants have adjustable lumen output after installation.
- Supplied with either wide or open area lenses.
- L2 compliant.

CONTROL

- Available with integral R11 sensor offering presence detection.
- Adjustable High Time, Low Time and Fade Rate.
- Adjustable high light levels allows light output to be adjusted after installation to meet the exact requirements of the installation preventing the need to install multiple luminaire variants and maximising energy savings.

INSTALLATION

- Adjustable spigot for both horizontal and vertical mounting.
- Available with 40-50mm, 50-60mm and 60-76mm spigot options.
- Supplied complete with 10m prewired cable for ease of installation.
- Sensor variants only require live, earth and neutral connections allowing installation of sensor controls with no modification required to existing wiring minimising installation cost.

VARIATIONS

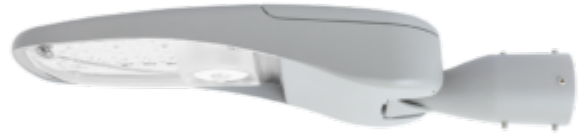
- Available in 3000 kelvin

IMAGES

PRODUCT IMAGES

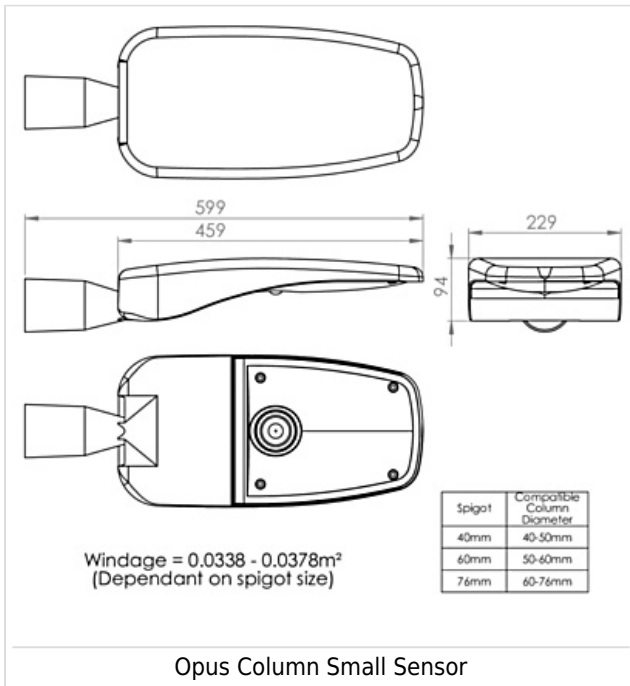


Opus Column Small Sensor with spigot in the vertical position



Opus Column Small Sensor with spigot in the horizontal position

TECHNICAL



WARRANTY

At Dextra our commitment to service has been at the forefront throughout our history spanning more than forty years in the UK lighting market. Our service ethos extends beyond design and delivery, we believe supporting your installation throughout the warranty period is equally crucial, whilst the strength and longevity of Dextra Group provides peace of mind that our warranty will be supported throughout.

The Dextra range is supplied with a five year warranty commencing from the date of delivery. During the first three years defects will be repaired on site and the warranty will include both parts and labour. For the final two years drivers, emergency modules, wireless modules, sensors and LED circuits will be supplied free of charge to replace defective components, labour and other associated costs are not included.

Certain ranges and components are subject to exemptions:

- Lithium batteries are provided with a three year warranty for parts and labour. Nickel Metal Hydride and Nickel Cadmium batteries are provided with a one year warranty for parts and labour.
- Emergency luminaires including AME LED, EXI LED, EXI2 LED, EXI Track, HBE LED, HBE2 LED, OAT2 LED, OEZ LED and Twinspace with Nickel Metal Hydride batteries are supplied with a one year warranty for parts and labour. Lithium variants of these ranges are supplied with a three year warranty for parts and labour.
- Protec Micro, Fire Rated Downlights and Serenus are provided with a five year replacement luminaire only warranty.
- Controls systems such as standalone sensors, switches, marshalling boxes and cabling are provided with a one year warranty for both parts and labour. DALI control systems are provided with a two year warranty for both parts and labour.
- LEDextra ranges including Glide Power, Glide Mini, Glide RGBW, Colour Glide, Glide In Ground, Glide Pixel and AluLED ranges are supplied with a three year parts or replacement luminaire only warranty.
- LEDEX ranges are supplied with a three year replacement luminaire only warranty.

All warranties are subject to correct use of the product and will be invalidated by misuse, for example incorrect installation, unsuitable environmental conditions or incorrect maintenance. It is the duty of the customer to ensure that all the fault lies with the luminaire prior to requesting replacement parts or site repairs. In the event that no defect is found with the product our costs for attending site will be recharged to the customer and credit will not be issued against returned products. No consequential losses incurred resulting from any defect with our product will be reimbursed.

Given the nature of LED technology a small percentage of LEDs may fail during the lifetime of a luminaire, this does not cause a reduction in lumen output. As such LED luminaires are only deemed to be faulty for warranty purposes when in excess of ten percent of LEDs have failed in a single luminaire

On site repair of products under warranty will be undertaken during normal working hours, 9am to 5pm Monday to Friday, and will require unrestricted access to luminaires. Where required Dextra will provide access equipment to carry out repairs at height, should luminaires have been installed in locations where reasonable provision for maintenance access has not been made we reserve the right to supply replacement product only.

If you require any assistance with regards to our products please contact our Customer Services department on 01747 858100.

ORDER CODES

LUMINAIRE CODES

Code	Description	Circuit Wattage	Llm/W
Wide			
OPUCS L44 W	Opus Column Small, 3828llm, Wide, Colour 74	25.6W	149
OPUCS L60 W	Opus Column Small, 5220llm, Wide, Colour 74	34.4W	151
OPUCS L70 W	Opus Column Small, 6094llm, Wide, Colour 74	42W	145
Open			
OPUCS L44 OA	Opus Column Small, 3683llm, Open Area, Colour 74	25.6W	143
OPUCS L60 OA	Opus Column Small, 5022llm, Open Area, Colour 74	34.4W	145
OPUCS L70 OA	Opus Column Small, 5858llm, Open Area, Colour 74	42W	139

LIGHTING CONTROL

Code	Description
R11	Reacta 11, Wide Sensor
NEM	NEMA Socket
PH	Photocell

INSTALLATION

Code	Description
S40	40-50mm Spigot
S50	50-60mm Spigot
S60	60-76mm Spigot

Please specify spigot size when ordering

OPUC WB	Opus Column Wall Mount Bracket
---------	--------------------------------

Please order luminaire less spigot when purchasing the wall mount bracket option

MISC

Code	Description
C73	Colour 73