



PRODUCT SPECIFICATION

OPUS 360 HIGH OUTPUT



INTRODUCTION

The Opus 360 High Output offers excellent efficiency combined with high lumen outputs and lensed optical control making it ideal for effective illumination of large open areas. Offering up to 60,000lm output with efficiency of 147lm/w the Opus 360 High Output provides an extremely cost effective solution for car parks and other external spaces whilst minimising operating costs for both maintenance and power consumption.

With both symmetric and asymmetric variants providing solutions for both central columns and perimeters, and a range of lumen outputs to suit most column heights and spaces each Opus 360 installation can be tailored to ensure a minimum of light spill into adjacent properties whilst maintaining excellent lux levels and uniformity with minimal power consumption. With optional NEMA socket and photocell variants the luminaire can be supplied with a range of controls from basic photocell through to wireless connectivity.

The Opus 360 High Output is supplied with a 90-105mm base mount spigot, comes complete with a 10M prewired cable for rapid installation and is manufactured with a die cast aluminium housing with matt grey weather resistant paint finish and toughened glass cover ensuring excellent longevity in the field.

- CE
- NEW
- IP65
- L90 / 60K OPERATING HOURS
- 3 STEP MACADAM ELLIPSE

APPLICATION

- Commercial/Offices
- Education
- Exterior
- Healthcare/Social Housing
- Hotel/Leisure
- Industrial/Manufacturing
- Parking/Exterior
- Retail
- Transport

SPECIFICATION

CONSTRUCTION

- High pressure die cast aluminium housing
- Toughened glass cover
- Die cast central spigot
- IP65

PERFORMANCE

- Up to 147lm per watt

INSTALLATION

- Suitable for base mount installation
- Prewired 10M lead
- 90-105mm spigot

VARIATIONS

- Optional integral photocell
 - Optional NEMA socket
 - Symmetric and asymmetric variants
 - Available in 3000 kelvin
-

IMAGES

PRODUCT IMAGES



Opus 360 High Output



Opus 360 High Output in Black

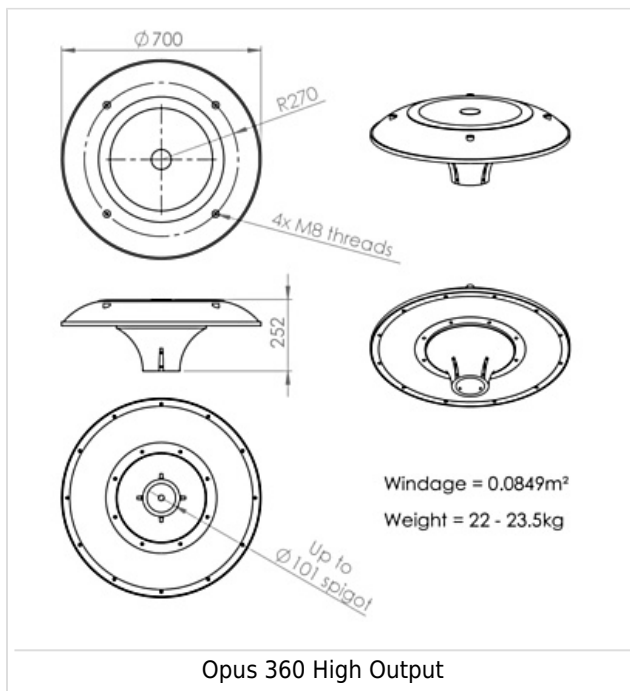


Opus 360 High Output



Opus 360 High Output Lens Detail

TECHNICAL



WARRANTY

At Dextra our commitment to service has been at the forefront throughout our history spanning more than forty years in the UK lighting market. Our service ethos extends beyond design and delivery, we believe supporting your installation throughout the warranty period is equally crucial, whilst the strength and longevity of Dextra Group provides peace of mind that our warranty will be supported throughout.

The Dextra range is supplied with a five year warranty commencing from the date of delivery. During the first three years defects will be repaired on site and the warranty will include both parts and labour. For the final two years drivers, emergency modules, wireless modules, sensors and LED circuits will be supplied free of charge to replace defective components, labour and other associated costs are not included.

Certain ranges and components are subject to exemptions:

- Lithium batteries are provided with a three year warranty for parts and labour. Nickel Metal Hydride and Nickel Cadmium batteries are provided with a one year warranty for parts and labour.
- Emergency luminaires including AME LED, EXI LED, EXI2 LED, EXI Track, HBE LED, HBE2 LED, OAT2 LED, OEZ LED and Twinspot with Nickel Metal Hydride batteries are supplied with a one year warranty for parts and labour. Lithium variants of these ranges are supplied with a three year warranty for parts and labour.
- Protec Micro, Fire Rated Downlights and Serenus are provided with a five year replacement luminaire only warranty.
- Controls systems such as standalone sensors, switches, marshalling boxes and cabling are provided with a one year warranty for both parts and labour. DALI control systems are provided with a two year warranty for both parts and labour.
- LEDextra ranges including Glide Power, Glide Mini, Glide RGBW, Colour Glide, Glide In Ground, Glide Pixel and AluLED ranges are supplied with a three year parts or replacement luminaire only warranty.
- LEDEX ranges are supplied with a three year replacement luminaire only warranty.

All warranties are subject to correct use of the product and will be invalidated by misuse, for example incorrect installation, unsuitable environmental conditions or incorrect maintenance. It is the duty of the customer to ensure that all the fault lies with the luminaire prior to requesting replacement parts or site repairs. In the event that no defect is found with the product our costs for attending site will be recharged to the customer and credit will not be issued against returned products. No consequential losses incurred resulting from any defect with our product will be reimbursed.

Given the nature of LED technology a small percentage of LEDs may fail during the lifetime of a luminaire, this does not cause a reduction in lumen output. As such LED luminaires are only deemed to be faulty for warranty purposes when in excess of ten percent of LEDs have failed in a single luminaire

On site repair of products under warranty will be undertaken during normal working hours, 9am to 5pm Monday to Friday, and will require unrestricted access to luminaires. Where required Dextra will provide access equipment to carry out repairs at height, should luminaires have been installed in locations where reasonable provision for maintenance access has not been made we reserve the right to supply replacement product only.

If you require any assistance with regards to our products please contact our Customer Services department on 01747 858100.

[DOWNLOAD WARRANTY PDF](#)

ORDER CODES

LUMINAIRE CODES

Code	Description	Circuit Wattage	Llm/W
Symmetric			
OP36 L300 S90	Opus 360 HO, 26,070lm, 90-105mm Spigot, Colour 74	170.2W	153
OP36 L400 S90	Opus 360 HO, 34,766lm, 90-105mm Spigot, Colour 74	238W	146
OP36 L600 S90	Opus 360 HO, 52,140lm, 90-105mm Spigot, Colour 74	349.2W	149
Asymmetric			
OP36 L150 S90 AS	Opus 360 HO, 12,120lm, Asymmetric, 90-105mm Spigot, Colour 74	85.1W	142
OP36 L200 S90 AS	Opus 360 HO, 16,174lm, Asymmetric, 90-105mm Spigot, Colour 74	116.6W	138
OP36 L300 S90 AS	Opus 360 HO, 24,240lm, Asymmetric, 90-105mm Spigot, Colour 74	175W	138

MISCELLANEOUS

Code	Description
C73	Colour 73
BL	Black Body
PH	Photocell
NEM	NEMA Socket