



# PRODUCT SPECIFICATION

---

OPUS 2 LED



---

## INTRODUCTION

---

The Opus 2 LED floodlight is available in four individual housing sizes and lumen outputs from 2700lm to 25,833lm, suitable for many applications such as car parks and building exteriors. It can be used to effectively replace HID luminaires from 70w to 400w with far lower energy consumption and excellent return on investment. Manufactured with diecast aluminium housings and toughened glass covers the Opus 2 LED floodlight is tough and durable and suitable for a wide range of exterior applications. All luminaires in the Opus 2 LED range are manufactured using the latest branded LEDs and drivers which provide excellent energy efficiency and minimal maintenance reducing the lifetime cost of ownership.

- CE
- IP65

---

## APPLICATION

---

- Commercial/Offices
- Education
- Exterior
- Healthcare/Social Housing
- Hotel/Leisure
- Industrial/Manufacturing
- Parking/Exterior
- Retail

- Transport
- Warehouse/Storage

---

## SPECIFICATION

---

### CONSTRUCTION

- High quality die cast construction.
- Matt grey powder coat finish.
- High grade aluminium reflector.
- Fully gasketed IP65 protection.
- Toughened glass cover.

### PERFORMANCE

- Available with a range of Philips and Tridonic sources providing lumen outputs from 2700lm to 25,833lm.
- Symmetrical distribution, asymmetrical available on request.
- LOR in excess of 85%.

### CONTROL

- Manufactured with Philips or Tridonic LEDs and drivers.
- Available with both 1-10v and DALI dimming options.

### INSTALLATION

- Saddle bracket.
- Angle set feature in mounting bracket.
- Allen key fixings.
- Please use suitable standalone photocell where dusk to dawn operation is required.

### VARIATIONS

- Available in 3000 kelvin

---

## IMAGES

---

### PRODUCT IMAGES

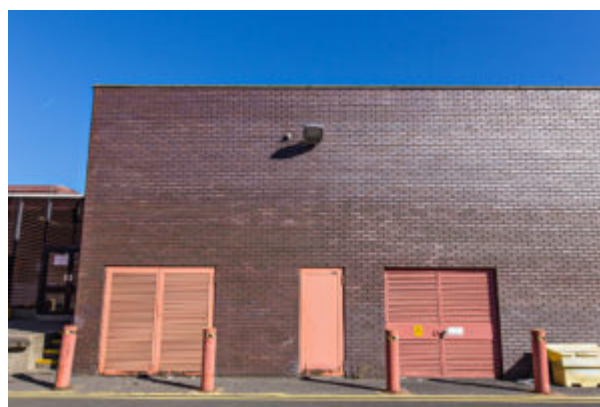


Opus2 LED medium



Opus2 LED XL

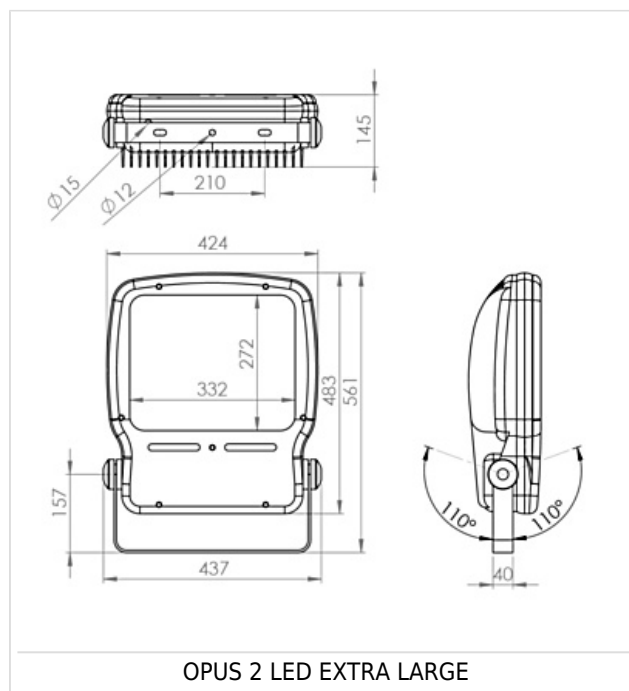
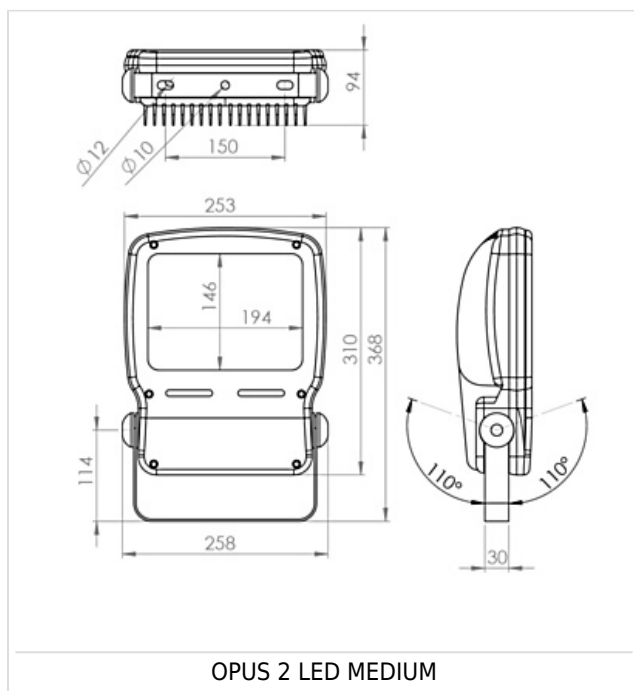
### PROJECT IMAGES



---

## TECHNICAL

---



## WARRANTY

At Dextra our commitment to service has been at the forefront throughout our history spanning more than forty years in the UK lighting market. Our service ethos extends beyond design and delivery, we believe supporting your installation throughout the warranty period is equally crucial, whilst the strength and longevity of Dextra Group provides peace of mind that our warranty will be supported throughout.

The Dextra range is supplied with a five year warranty commencing from the date of delivery. During the first three years defects will be repaired on site and the warranty will include both parts and labour. For the final two years drivers, emergency modules, wireless modules, sensors and LED circuits will be supplied free of charge to replace defective components, labour and other associated costs are not included.

Certain ranges and components are subject to exemptions:

- Lithium batteries are provided with a three year warranty for parts and labour. Nickel Metal Hydride and Nickel Cadmium batteries are provided with a one year warranty for parts and labour.
- Emergency luminaires including AME LED, EXI LED, EXI2 LED, EXI Track, HBE LED, HBE2 LED, OAT2 LED, OEZ LED and Twinspot with Nickel Metal Hydride batteries are supplied with a one year warranty for parts and labour. Lithium variants of these ranges are supplied with a three year warranty for parts and labour.
- Protec Micro, Fire Rated Downlights and Serenus are provided with a five year replacement luminaire only warranty.
- Controls systems such as standalone sensors, switches, marshalling boxes and cabling are provided with a one year warranty for both parts and labour. DALI control systems are provided with a two year warranty for both parts and labour.
- LEDextra ranges including Glide Power, Glide Mini, Glide RGBW, Colour Glide, Glide In Ground, Glide Pixel and AluLED ranges are supplied with a three year parts or replacement luminaire only warranty.
- LEDEX ranges are supplied with a three year replacement luminaire only warranty.

All warranties are subject to correct use of the product and will be invalidated by misuse, for example incorrect installation, unsuitable environmental conditions or incorrect maintenance. It is the duty of the customer to ensure that all the fault lies with the luminaire prior to requesting replacement parts or site repairs. In the event that no defect is found with the product our costs for attending site will be recharged to the customer and credit will not be issued against returned products. No consequential losses incurred resulting from any defect with our product will be reimbursed.

Given the nature of LED technology a small percentage of LEDs may fail during the lifetime of a luminaire, this does not cause a reduction in lumen output. As such LED luminaires are only deemed to be faulty for warranty purposes when in excess of ten percent of LEDs have failed in a single luminaire

On site repair of products under warranty will be undertaken during normal working hours, 9am to 5pm Monday to Friday, and will require unrestricted access to luminaires. Where required Dextra will provide access equipment to carry out repairs at height, should luminaires have been installed in locations where reasonable provision for maintenance access has not been made we reserve the right to supply replacement product only.

If you require any assistance with regards to our products please contact our Customer Services department on 01747 858100.

[DOWNLOAD WARRANTY PDF](#)

## ORDER CODES

### LUMINAIRE CODES

Code	Description	Circuit Wattage	Llm/W	Weight	Windage
OPU2XL L200	Opus 2 LED, Extra Large, 16,478llm, Colour 84	135.8W	121	15kg	48.5cmx44cm
OPU2XL L288	Opus 2 LED, Extra Large, 24,426llm, Colour 84	203.8W	120	15kg	48.5cmx44cm

Above luminaire lumen (llm) figures are without AS optic.

### OPTIC

Code	Description
AS	Asymmetric Distribution

The asymmetric lens option should be used where compliance to Zone 2 of the external lighting regulations are required.

### DIMMING OPTIONS

Code	Description
A	Digital Addressable Lighting Interface (DALI)
C	Bi-Level Dimming for use with standalone switched sensor
H	High Frequency Dimming (Analogue 1-10v)

Dimming only available in the large and extra large housing versions.

### MISC

Code	Description
C73	Colour 73