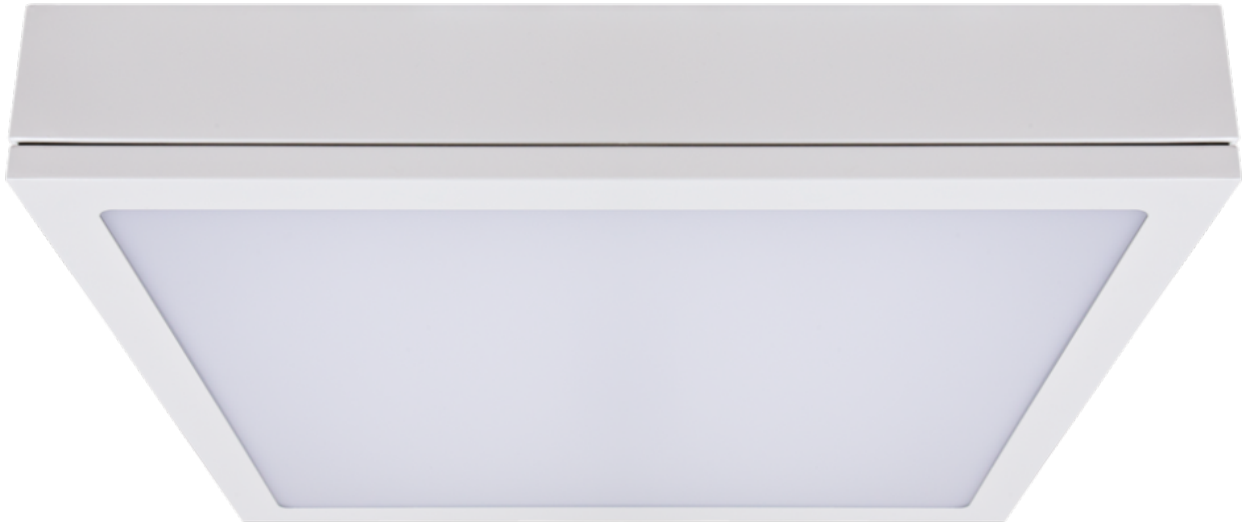


PRODUCT SPECIFICATION

MODLED SURFACE / SUSPENDED



INTRODUCTION

The MODLED Surface / Suspended is a traditional flat panel luminaire with uniformly lit diffuser using backlit technology ensuring superb efficiency as well as benefitting LED lifetime by using a high chip count run at low output to minimise operating temperature. This range is available in three housing sizes, a wide range of lumen outputs, dimming and lithium emergency variants and can be either suspended or surface mounted. Wireless dimming and control can be offered with our Reacta-Dim system and Reacta-Link options are also available where web based control and reporting of luminaires is required.

The combination of energy efficiency, flexibility and attractive minimalist design makes the MODLED Surface / Suspended an excellent choice for installations where the client demands an appealing aesthetic with premium.

- CE
- IP40
- L90 / 60K OPERATING HOURS
- 3 STEP MACADAM ELLIPSE

APPLICATION

- Canteen
- Commercial/Offices
- Corridor
- Education
- Healthcare/Social Housing
- Hotel/Leisure

- Industrial/Manufacturing
- Office
- Retail
- Transport
- Warehouse/Storage

SPECIFICATION

CONSTRUCTION

- Steel housing powder painted white.
- High transmission panel with up to 93% transmission and excellent diffusion for maximum efficiency and visual comfort.

PERFORMANCE

- LOR up to 85%.
- Available in 3500, 4500 and 6800 lumen options in 600×600 luminaires.
- Although lumen packages will always remain the same, lumens per watt will only improve in line with developments in LED chip technology. This offers improved performance and greater efficiency. For further information about the current generation please contact the Dextra Technical team on 01747 858100.
- LM80 verified: 90% LED lumen maintenance at 60,000 operating hours.
- Standard Deviation Colour Match – 3 Step Macadam’s Ellipse.
- L2 compliant*.

*specific variants only

CONTROL

- Available in HFR, DALI, Switch Dimming and DSI Dimming.
- White Tunable, lumen outputs vary, please contact our sales department for details

EMERGENCY

- Available with optional standard, self test and autotest integral emergency with lithium batteries for extended warranty and lifetime.

INSTALLATION

- Suitable for surface/suspended mounting to a wide range of ceiling types.

IMAGES

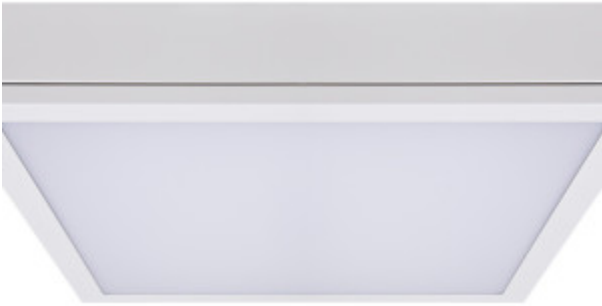
PRODUCT IMAGES

MODLED SURFACE / SUSPENDED

PRODUCT SPECIFICATION



MODLED Surface 1200 x 600



MODLED Surface 600 x 600



MODLED Surface 1200 x 300

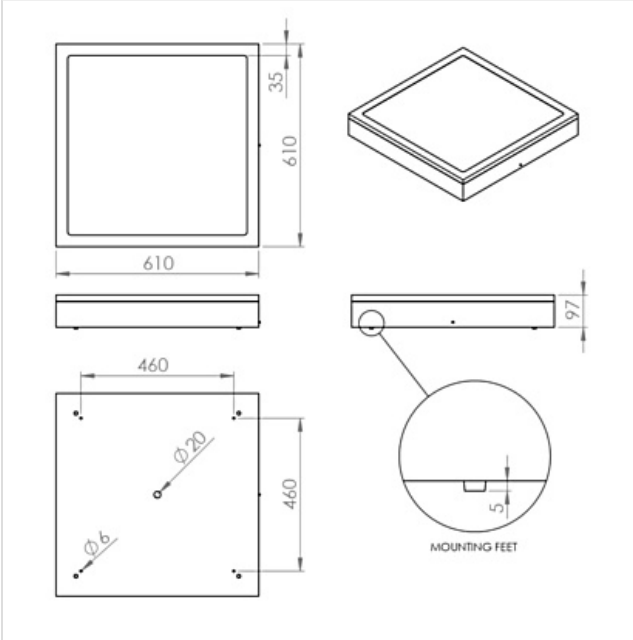


MODLED Surface 1200 x 300

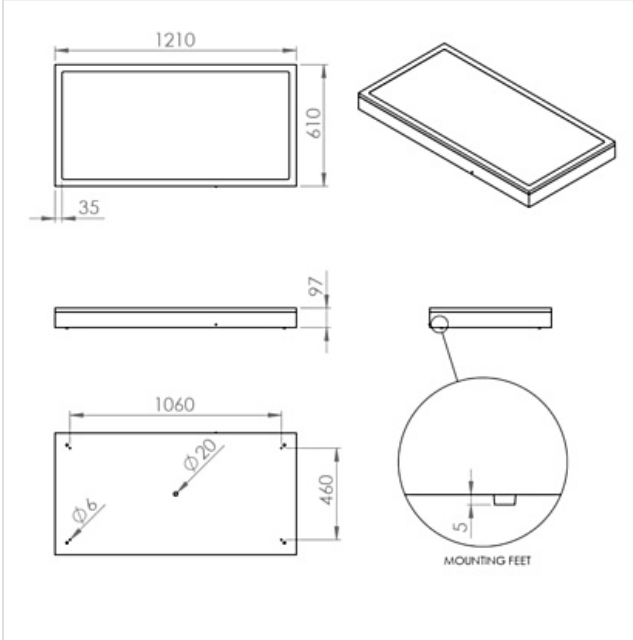
PROJECT IMAGES



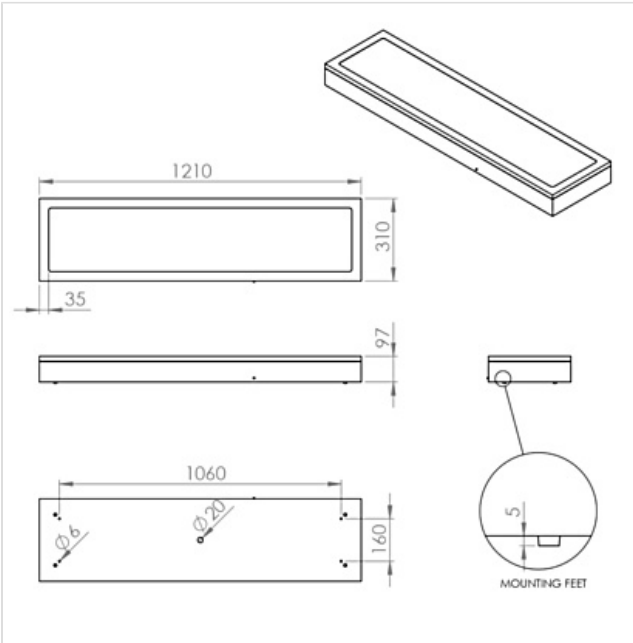
TECHNICAL



MODS 600x600



MODS 1200x600



MODS 1200x300

WARRANTY

At Dextra our commitment to service has been at the forefront throughout our history spanning more than forty years in

the UK lighting market. Our service ethos extends beyond design and delivery, we believe supporting your installation throughout the warranty period is equally crucial, whilst the strength and longevity of Dextra Group provides peace of mind that our warranty will be supported throughout.

The Dextra range is supplied with a five year warranty commencing from the date of delivery. During the first three years defects will be repaired on site and the warranty will include both parts and labour. For the final two years drivers, emergency modules, wireless modules, sensors and LED circuits will be supplied free of charge to replace defective components, labour and other associated costs are not included.

Certain ranges and components are subject to exemptions:

- Lithium batteries are provided with a three year warranty for parts and labour. Nickel Metal Hydride and Nickel Cadmium batteries are provided with a one year warranty for parts and labour.
- Emergency luminaires including AME LED, EXI LED, EXI2 LED, EXI Track, HBE LED, HBE2 LED, OAT2 LED, OEZ LED and Twinspot with Nickel Metal Hydride batteries are supplied with a one year warranty for parts and labour. Lithium variants of these ranges are supplied with a three year warranty for parts and labour with the exception of the AME2, EXI3, HBE3 and TWS IP65 L7 ranges which are supplied with a one year parts and labour warranty.
- Protec Micro, 7W Fire Rated Downlights and Serenus are provided with a five year replacement luminaire only warranty.
- Controls systems such as standalone sensors, switches, marshalling boxes and cabling are provided with a one year warranty for both parts and labour. DALI control systems are provided with a two year warranty for both parts and labour.
- LEDextra ranges including Glide Power, Glide Mini, Glide RGBW, Colour Glide, Glide In Ground, Glide Pixel and AluLED ranges are supplied with a three year parts or replacement luminaire only warranty.
- LEDEX ranges are supplied with a three year replacement luminaire only warranty.

All warranties are subject to correct use of the product and will be invalidated by misuse, for example incorrect installation, unsuitable environmental conditions or incorrect maintenance. It is the duty of the customer to ensure that all the fault lies with the luminaire prior to requesting replacement parts or site repairs. In the event that no defect is found with the product our costs for attending site will be recharged to the customer and credit will not be issued against returned products. No consequential losses incurred resulting from any defect with our product will be reimbursed.

Given the nature of LED technology a small percentage of LEDs may fail during the lifetime of a luminaire, this does not cause a reduction in lumen output. As such LED luminaires are only deemed to be faulty for warranty purposes when in excess of ten percent of LEDs have failed in a single luminaire

On site repair of products under warranty will be undertaken during normal working hours, 9am to 5pm Monday to Friday, and will require unrestricted access to luminaires. Where required Dextra will provide access equipment to carry out repairs at height, should luminaires have been installed in locations where reasonable provision for maintenance access has not been made we reserve the right to supply replacement product only.

If you require any assistance with regards to our products please contact our Customer Services department on 01747 858100.

[DOWNLOAD WARRANTY PDF](#)

ORDER CODES

LUMINAIRE CODES

Code	Description	Circuit Wattage	Lm/W
600x600mm			
MODS L29	MODLED Surface/Suspended, 600x600mm, 1981lm, Colour 84*	17.1w	115
MODS L35	MODLED Surface/Suspended, 600x600mm, 2390lm, Colour 84*	21.6w	110
MODS L45	MODLED Surface/Suspended, 600x600mm, 3073lm, Colour 84	26.5w	115
MODS L68	MODLED Surface/Suspended, 600x600mm, 4644lm, Colour 84	39.9w	116
1200x600mm			
MODS 126 L58	MODLED Surface/Suspended, 1200x600mm, 3961lm, Colour 84*	31.9w	124
MODS 126 L70	MODLED Surface/Suspended, 1200x600mm, 4780lm, Colour 84*	38.6w	123
MODS 126 L90	MODLED Surface/Suspended, 1200x600mm, 6147lm, Colour 84	50.2w	122
MODS 126 L136	MODLED Surface/Suspended, 1200x600mm, 9288lm, Colour 84	80.4w	115
1200x300mm			
MODS 123 L35	MODLED Surface/Suspended, 1200x300mm, 2391lm, Colour 84*	21.6w	110
MODS 123 L45	MODLED Surface/Suspended, 1200x300mm, 3073lm, Colour 84	26.5w	115
MODS 123 L68	MODLED Surface/Suspended, 1200x300mm, 4644lm, Colour 84	39.9w	116

C83 option available on special request with specific lumen outputs.

*Compliant with BSEN 12464 3000 candela limit.

DIMMING OPTIONS

Code	Description
A	Digital Addressable Lighting Interface (DALI)
S	Switch Dimming
WT	White Tunable, Lumen outputs vary, please contact our sales department for details
C	Bi-Level Dimming for use with standalone switched sensor
D	Digital Dimming (DSI)
H	High Frequency Dimming (Analogue 1-10v)*
	Please click here for full details on our white tunable offer

*Not available in L17 or L22 variants

LIGHTING CONTROL

Code	Description
R24H	Reacta 24H, Minihead Daylight and Presence Detection Sensor
EA	Reacta-Air Infra-Red Sensor
RAS	Reacta-Air Bluetooth Sensor
RLI	Dextra Reacta-Link System
RLS	Reacta-Link presence detection sensor

Please click here for full details on our wireless controls.

EMERGENCY

Code	Description
LE3	Lithium Emergency 3 Hour
LS3	Lithium Selftest
LA3	Lithium Autotest
LSTR	Lithium Emergency Reacta-Link
CB	Please specify 50v, 110v or 230v when ordering

MISCELLANEOUS

Code	Description
------	-------------

P410

Suspension Kit
