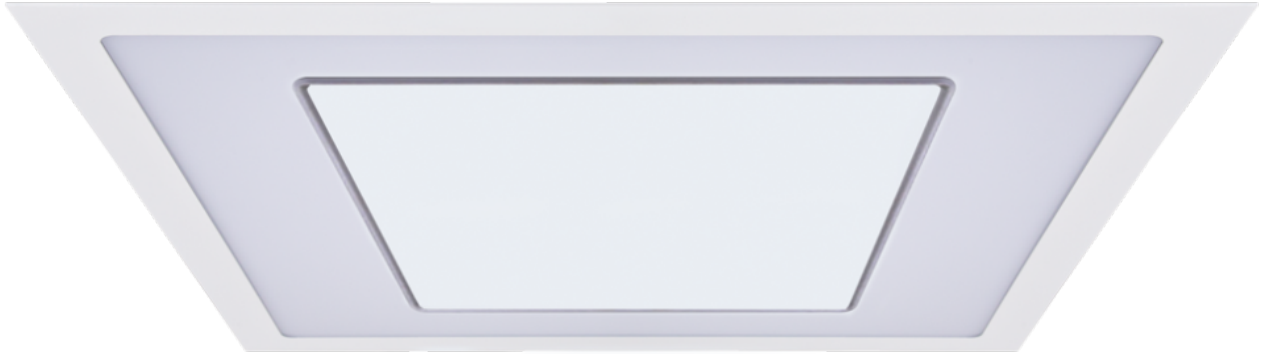


PRODUCT SPECIFICATION

MOD OFFICE



INTRODUCTION

The MOD Office has been designed specifically for applications where monitors are used in areas such as classrooms and offices.

By using a central microprism optic with high transmission opal surround the MOD Office is designed to comply with the latest BSEN 12464 glare requirements for both the 3000 candelas per metre squared limit above 65 degrees and UGR19 in most room sizes. Excellent optical control is combined with a wide range of lumen outputs ensuring that 400 lux average can be achieved with spacings as large as 3 metres by 3 metres. The MOD Office allows your installation to be designed with the minimum of luminaires, capital cost and energy consumption.

The MOD Office performance is combined with versatility with a range of options such as all common dimming variants white tunable, lithium emergency and a range of integral sensor options allowing you to further improve energy savings and return on investment. Wireless dimming and control can be offered with our Reacta-Dim system and Reacta-Link options are also available where web based control and reporting of luminaires is required.

- CE
- IP40
- L90 / 60K OPERATING HOURS
- 3 STEP MACADAM ELLIPSE
- TP(a)

APPLICATION

- Canteen
- Commercial/Offices
- Corridor
- Education
- Healthcare/Social Housing
- Hotel/Leisure
- Industrial/Manufacturing
- Office
- Retail
- Transport
- Warehouse/Storage

SPECIFICATION

CONSTRUCTION

- Steel housing powder painted white.
- One piece steel optic frame powder painted white.
- High transmission microprism diffuser providing visual comfort whilst ensuring compliance to the glare requirements of UGR19 and BSEN 12464 in all lumen outputs and room sizes.
- Injection moulded centre optic frame housing microprism panel to ensure compliance with BSEN 12464.

PERFORMANCE

- LOR up to 75%.
- Branded LEDs offering wide range of lumen outputs.
- Compliant with BSEN 12464 requirements and UGR19.
- Although lumen packages will always remain the same, lumens per watt will only improve in line with developments in LED chip technology. This offers improved performance and greater efficiency. For further information about the current generation please contact the Dextra Technical team on 01747 858100.
- LM80 verified: 90% LED lumen maintenance at 60,000 operating hours.
- Standard Deviation Colour Match – 3 Step Macadam’s Ellipse.
- L2 compliant
- TP(a)

*specific variants only

CONTROL

- Available with HFR, DALI, Digital dimming or Switch dimming
- White Tunable, Lumen outputs vary, please contact our sales department for details

EMERGENCY

- Available with optional standard, self test and autotest integral emergency with lithium batteries for extended warranty and lifetime.

INSTALLATION

- Suitable for lay in applications and pull up in plasterboard ceilings (additional patress support may be required).
- Surface mount variants available.
- Please contact technical department for advice on suitability for concealed grid ceiling systems.
- 500x500 option available

VARIATIONS

- Two optic designs provide flexibility in luminaire dimensions without compromising BSEN 12464 compliance allowing us to tailor the luminaire size and output to meet your requirements.

IMAGES

PRODUCT IMAGES



MOD Office 600x600



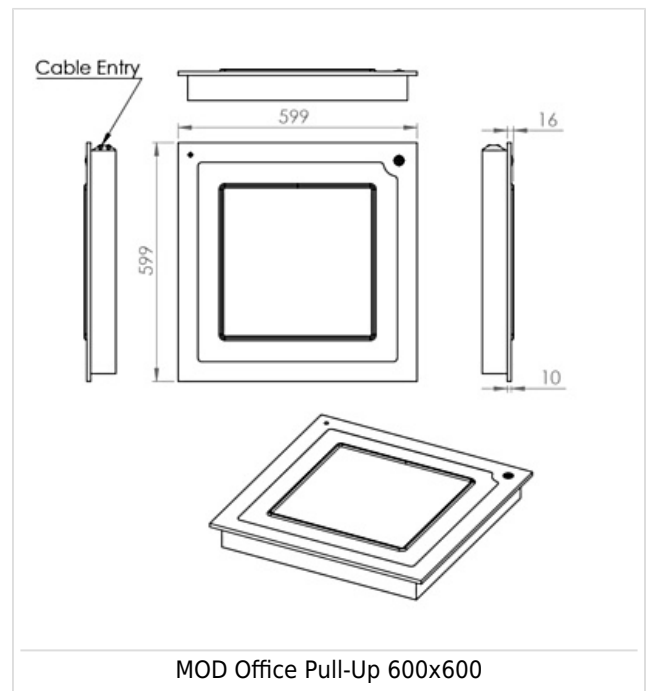
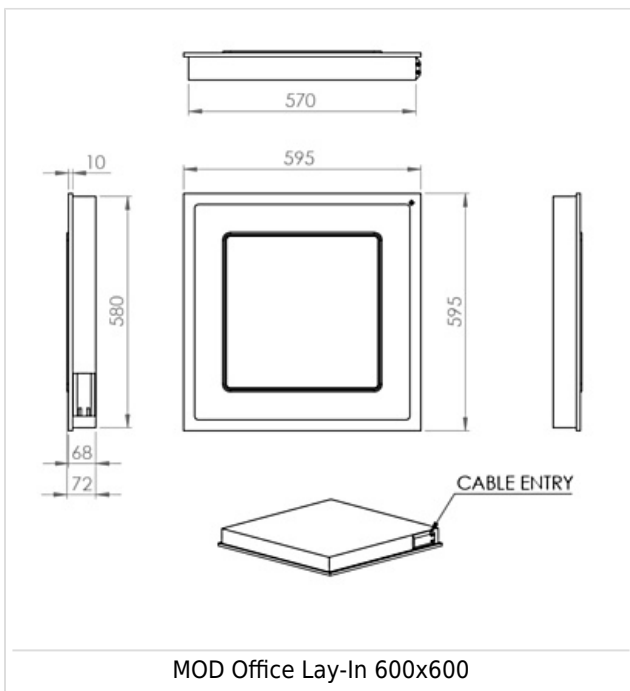
Tether Kit

PROJECT IMAGES





TECHNICAL



WARRANTY

At Dextra our commitment to service has been at the forefront throughout our history spanning more than forty years in the UK lighting market. Our service ethos extends beyond design and delivery, we believe supporting your installation throughout the warranty period is equally crucial, whilst the strength and longevity of Dextra Group provides peace of mind that our warranty will be supported throughout.

The Dextra range is supplied with a five year warranty commencing from the date of delivery. During the first three years defects will be repaired on site and the warranty will include both parts and labour. For the final two years drivers,

emergency modules, wireless modules, sensors and LED circuits will be supplied free of charge to replace defective components, labour and other associated costs are not included.

Certain ranges and components are subject to exemptions:

- Lithium batteries are provided with a three year warranty for parts and labour. Nickel Metal Hydride and Nickel Cadmium batteries are provided with a one year warranty for parts and labour.
- Emergency luminaires including AME LED, EXI LED, EXI2 LED, EXI Track, HBE LED, HBE2 LED, OAT2 LED, OEZ LED and Twinspot with Nickel Metal Hydride batteries are supplied with a one year warranty for parts and labour. Lithium variants of these ranges are supplied with a three year warranty for parts and labour with the exception of the AME2, EXI3, HBE3 and TWS IP65 L7 ranges which are supplied with a one year parts and labour warranty.
- Protec Micro, 7W Fire Rated Downlights and Serenus are provided with a five year replacement luminaire only warranty.
- Controls systems such as standalone sensors, switches, marshalling boxes and cabling are provided with a one year warranty for both parts and labour. DALI control systems are provided with a two year warranty for both parts and labour.
- LEDextra ranges including Glide Power, Glide Mini, Glide RGBW, Colour Glide, Glide In Ground, Glide Pixel and AluLED ranges are supplied with a three year parts or replacement luminaire only warranty.
- LEDEX ranges are supplied with a three year replacement luminaire only warranty.

All warranties are subject to correct use of the product and will be invalidated by misuse, for example incorrect installation, unsuitable environmental conditions or incorrect maintenance. It is the duty of the customer to ensure that all the fault lies with the luminaire prior to requesting replacement parts or site repairs. In the event that no defect is found with the product our costs for attending site will be recharged to the customer and credit will not be issued against returned products. No consequential losses incurred resulting from any defect with our product will be reimbursed.

Given the nature of LED technology a small percentage of LEDs may fail during the lifetime of a luminaire, this does not cause a reduction in lumen output. As such LED luminaires are only deemed to be faulty for warranty purposes when in excess of ten percent of LEDs have failed in a single luminaire

On site repair of products under warranty will be undertaken during normal working hours, 9am to 5pm Monday to Friday, and will require unrestricted access to luminaires. Where required Dextra will provide access equipment to carry out repairs at height, should luminaires have been installed in locations where reasonable provision for maintenance access has not been made we reserve the right to supply replacement product only.

If you require any assistance with regards to our products please contact our Customer Services department on 01747 858100.

[DOWNLOAD WARRANTY PDF](#)

ORDER CODES

LUMINAIRE

Code	Description	Circuit Wattage	Llm/W
LAY IN			
MODRO 55 L25	MOD Office, Lay-In, 500x500, 1,813lIm, Colour 84	15.9W	114
MODRO 55 L31	MOD Office, Lay-In, 500x500, 2,269lIm, Colour 84	20.1W	112

MODRO 55 L37	MOD Office, Lay-In, 500x500, 2,725lm, Colour 84	24.4W	111
MODRO 55 L45	MOD Office, Lay-In, 500x500, 3,373lm, Colour 84	27.4W	123
MODRO 55 L50	MOD Office, Lay-In, 500x500, 3,767lm, Colour 84	30.9W	121
MODRO L25	MOD Office, Lay-In, 600x600, 1,900lm, Colour 84	15.9W	119
MODRO L31	MOD Office, Lay-In, 600x600, 2,297lm, Colour 84	20.1W	114
MODRO L37	MOD Office, Lay-In, 600x600, 2,767lm, Colour 84	24.4W	113
MODRO L45	MOD Office, Lay-In, 600x600, 3,325lm, Colour 84	27.4W	121
MODRO L50	MOD Office, Lay-In, 600x600, 3,711lm, Colour 84	30.9W	120

PULL UP

MODPO 55 L25	MOD Office, Pull-Up, 500x500, 1,813lm, Colour 84	15.9W	114
MODPO 55 L31	MOD Office, Pull-Up, 500x500, 2,269lm, Colour 84	20.1W	112
MODPO 55 L37	MOD Office, Pull-Up, 500x500, 2,725lm, Colour 84	24.4W	111
MODPO 55 L45	MOD Office, Pull-Up, 500x500, 3,373lm, Colour 84	27.4W	123
MODPO 55 L50	MOD Office, Pull-Up, 500x500, 3,767lm, Colour 84	30.9W	121
MODPO L25	MOD Office, Pull-Up, 600x600, 1,900lm, Colour 84	15.9W	119
MODPO L31	MOD Office, Pull-Up, 600x600, 2,297lm, Colour 84	20.1W	114
MODPO L37	MOD Office, Pull-Up, 600x600, 2,767lm, Colour 84	24.4W	113
MODPO L45	MOD Office, Pull-Up, 600x600, 3,328lm, Colour 84	27.4W	121
MODPO L50	MOD Office, Pull-Up, 600x600, 3,711lm, Colour 84	30.9W	120

For plasterboard ceilings please specify lay-in luminaire and appropriate plasterboard kit.

DIMMING

Code	Description
A	DALI Digital Addressable Lighting Interface
S	Switch Dimming
D	DSI Digital Dimming
H	HFR Analogue 1-10v
C	Bi-Level Dimming For Standalone Switched Sensor
WT	White Tunable (Lumen Outputs Vary from Standard)

[Please click here for full details on our white tunable offer](#)

CONTROL

Code	Description
R24H	Reacta 24 Minihead Daylight and Presence Detection Sensor
EA	Reacta-Air Infra Red, Wireless, Presence & Daylight, 2.5-4M
RAS	Reacta-Air Bluetooth, Wireless, Presence & Daylight, 2.5-4M
RLI	Reacta-Link, Wireless Enabled Luminaire
RLS	Reacta-Link Wireless, Presence, 2.5-4M
RD	Reacta-Dim, Wireless Dimming / Switching

[Please click here for full details on our wireless controls.](#)

Please note, that we are able to offer absence detection sensors on request, please contact our Sales Department for more details.

Minimum dim level of 15%.

EMERGENCY

Code	Description
LE3	Lithium Standard Emergency 3 Hour
LS3	Lithium Selftest Emergency 3 Hour
LA3	Lithium Autotest Emergency 3 Hour
LSTR	Lithium Reacta-Link Emergency 3 Hour
CB	Central Battery, Please specify 50v, 110v or 230v when ordering

MISCELLANEOUS

Code	Description
------	-------------

C**	Select Colour Temperature and Rendering; C83, C84, C85, C865, C93, C94
MODRS TETHER KIT	Secondary fix kit single drop
MODRS TETHER KIT TWIN	Secondary fix kit twin drop
4PM	4 Pole Panel Mount
6PM	6 Pole Panel Mount
MOD L PBK66	Mod Led Plaster Board Pull Up Kit, 600x600, For Use With Lay In Luminaires