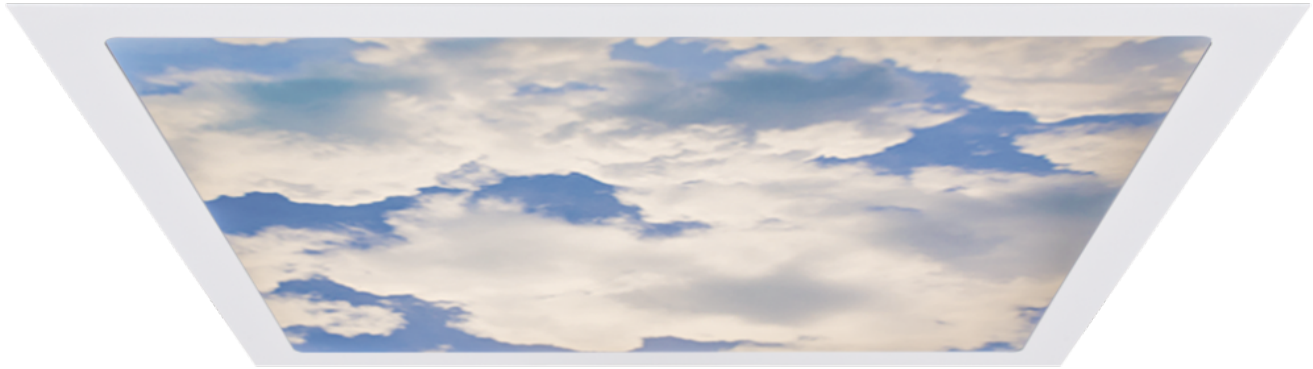


PRODUCT SPECIFICATION

MOD CAELUS



INTRODUCTION

In health care and educational establishments decorative lighting effects can have a significant impact on the well being of patients and pupils. The Mod Caelus range is available with a range of graphic designs allowing the simulation of skylights and other decorative features that can be especially effective in large buildings where it may not be possible to incorporate windows in internal rooms.

Whilst images of the sky are most popular different graphic styles can be offered to suit a range of applications. Please enquire with our sales department for more details should you require a specific design for your luminaires.

Now available with white tunable and with TP(a) rating allowing multiple images to be combined to create images of your choice.

- CE
- IP40
- IP44
- L90 / 60K OPERATING HOURS
- 3 STEP MACADAM ELLIPSE
- TP(a)

APPLICATION

- Education

- Healthcare/Social Housing

SPECIFICATION

CONSTRUCTION

- Steel housing powder painted white.
- High transmission diffuser with sky and cloud image (other images available on request).

PERFORMANCE

- Available in 600mm x 600mm and 1200mm x 600mm variants.
- Available in 3500 to 9000 lumen variants.
- LM80 verified: 90% LED lumen maintenance at 60,000 operating hours.
- Standard Deviation Colour Match – 3 Step Macadam's Ellipse.

CONTROL

- All lumen outputs can be offered with HFR dimming, DALI dimming, Switch Dimming and DSI dimming.
- White Tunable, Lumen outputs vary, please contact our sales department for details

INSTALLATION

- Available in both lay in and clip in variants for both exposed T and concealed grid ceiling systems.
- TP(a) rating allows multiple images to be combined.

VARIATIONS

- The MOD Caelus images can be offered in a range of luminaires such as the IMPR on request.
- Optional IP44 variant, when installed below the ceiling surface.

IMAGES

PRODUCT IMAGES



MOD Caelus

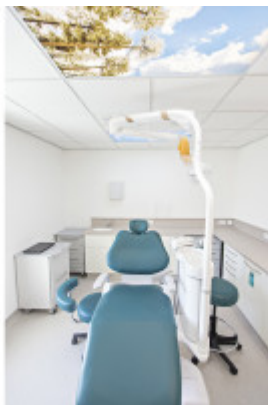
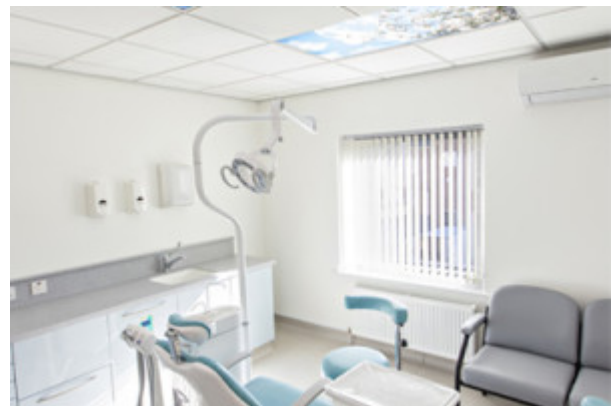


MOD Caelus array

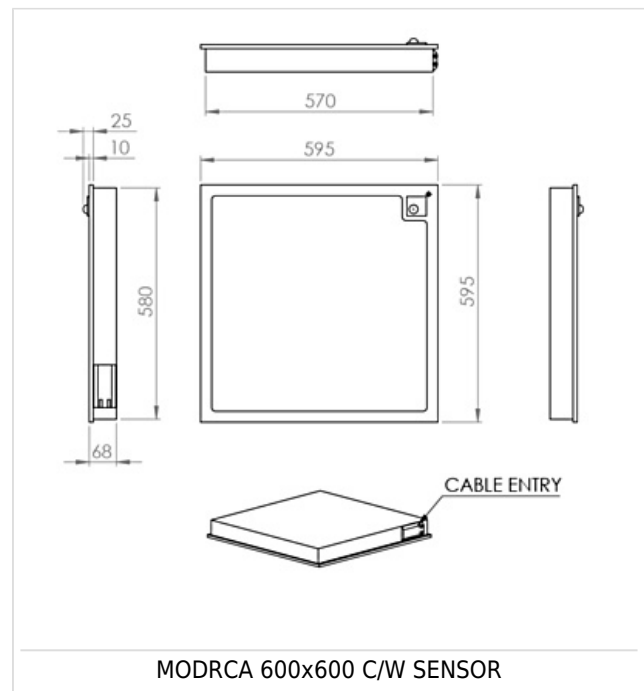
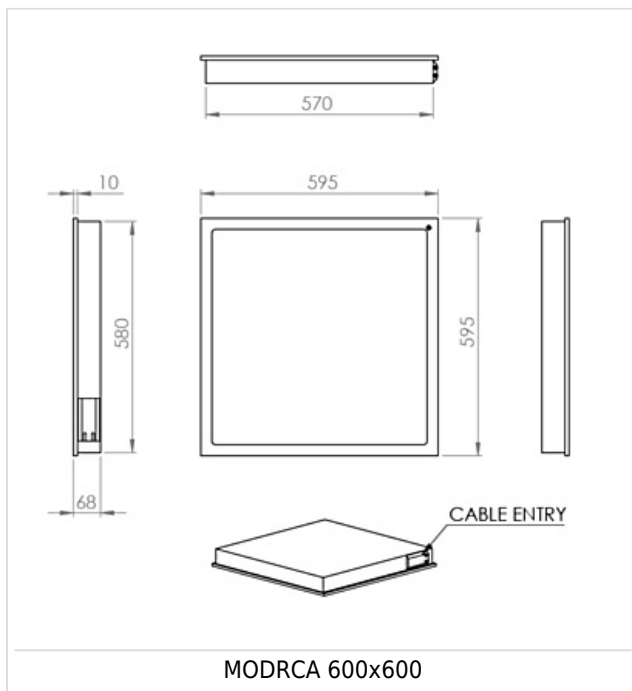


IMPR Caelus available on request

PROJECT IMAGES



TECHNICAL



WARRANTY

5 year warranty on LED product ranges is subject to a maximum of 4000 operating hours per year and only applies where failures exceed the component manufacturers expected failure rate and lumen depreciation.

Dextra products are supplied with a 12 month warranty for any defect that may occur with the product during this time. Any defect will either be repaired on site free of charge or the defective product may be replaced on a chargeable basis and credit given against defective product returned. The course of action taken will be at our discretion and dependent on the nature of the defect.

The control gear within our high frequency and LED luminaires is further underwritten by our suppliers for a period of up to 5 years in total from the time of purchase. This comprises labour and parts for the first 3 years and free of charge components only for the final 2 years.

PROTEC LED FR 8W GU10 luminaires and all Emergency LED ranges such as LED 3, EXI, HBE, OAT, OEZ, AME, OEH and TWS * are exempt from the 5 year warranty and are supplied with 1 year warranty only. PROTEC LED COB luminaires are supplied with a three year warranty for replacement luminaires only.

Glide Power, Glide Mini, Glide RGBW, Colour Glide and Glide In Ground ranges are supplied with a three year parts or replacement luminaire only warranty.

All warranties are subject to correct use of the product and will be invalidated by misuse, for example incorrect installation or unsuitable environmental conditions.

It is the duty of the customer to ensure that all relevant tests have been carried out prior to requesting site visits or replacement products, for example replacement of lamps, commissioning of sensors and inspection of external wiring. In the event that no defect is found with the product our costs for attending site will be recharged to the customer and credit will not be issued against returned products.

No consequential losses incurred resulting from any defect with our product will be reimbursed.

Consumable commodities such as lamps, starters and batteries are excluded from these warranty terms. Batteries are supplied with a twelve month warranty only.

5 year warranty on LED product ranges is subject to a maximum of 4000 operating hours per year and only applies where failures exceed the component manufacturers expected failure rate and lumen depreciation.

If you require any assistance with regards to our products please do not hesitate to contact our Customer Services department on 01747 858100.

*The LED4 Emergency LED range is supplied with a three year battery warranty and 5 year luminaire warranty.

ORDER CODES

LUMINAIRE CODES

Code	Description	Circuit Wattage	Llm/W
Lay In 600x600mm			
MODRCA L35 CL C84	Mod Caelus, 600 x 600mm, Lay-In, 1060lm, Cloud Image, C84	21.6W	49
MODRCA L45 CL C84	Mod Caelus, 600 x 600mm, Lay-In, 1354lm, Cloud Image, C84	26.5W	51
Lay In 1200x600mm			
MODRCA126 L70 CL C84	Mod Caelus, 1200 x 600mm, Lay-In, 2107lm, Cloud Image, C84	38.6W	54
MODRCA126 L90 CL C84	Mod Caelus, 1200 x 600mm, Lay-In, 2709lm, Cloud Image, C84	50.2W	53
Pull Up 600x600mm			
MODPCA L35 CL C84	Mod Caelus, 600 x 600mm, Pull-Up, 1060lm, Cloud Image, C84	21.6W	49
MODPCA L45 CL C84	Mod Caelus, 600 x 600mm, Pull-Up, 1354lm, Cloud Image, C84	26.5W	51
Pull Up 1200x600mm			
MODPCA126 L70 CL C84	Mod Caelus, 1200 x 600mm, Pull-Up, 2107lm, Cloud Image, C84	38.6W	54
MODPCA126 L90 CL C84	Mod Caelus, 1200 x 600mm, Pull-Up, 2709lm, Cloud Image, C84	50.2W	53

DIMMING OPTIONS

Code	Description
A	Digital Addressable Lighting Interface (DALI)
S	Switch Dimming
WT	White Tunable, Lumen outputs vary, please contact our sales department for details
C	Bi-Level Dimming for use with standalone switched sensor
D	Digital Dimming (DSI)
H	High Frequency Dimming (Analogue 1-10v)
	Please click here for full details on our white tunable offer

MISCELLANEOUS

Code	Description
MODRS TETHER KIT	Secondary fix kit single drop
MODRS TETHER KIT TWIN	Secondary fix kit twin drop
IP44	IP44 rating (below the ceiling when installed)
MOD L PBK66	600x600mm Plasterboard Kit
MOD L PBK123	1200x300mm Plasterboard Kit
MOD L PBK126	1200x600mm Plasterboard Kit

4PM	4 Pole Panel Mount
6PM	6 Pole Panel Mount
C34998 & C3793	1M 6 Pole Blue / Black Lead and Besa Connection Plate
C34997 & C3792	1M 4 Pole Lead and Besa Connection Plate
C34996 & C3791	1M 3 Pole Lead and Besa Connection Plate